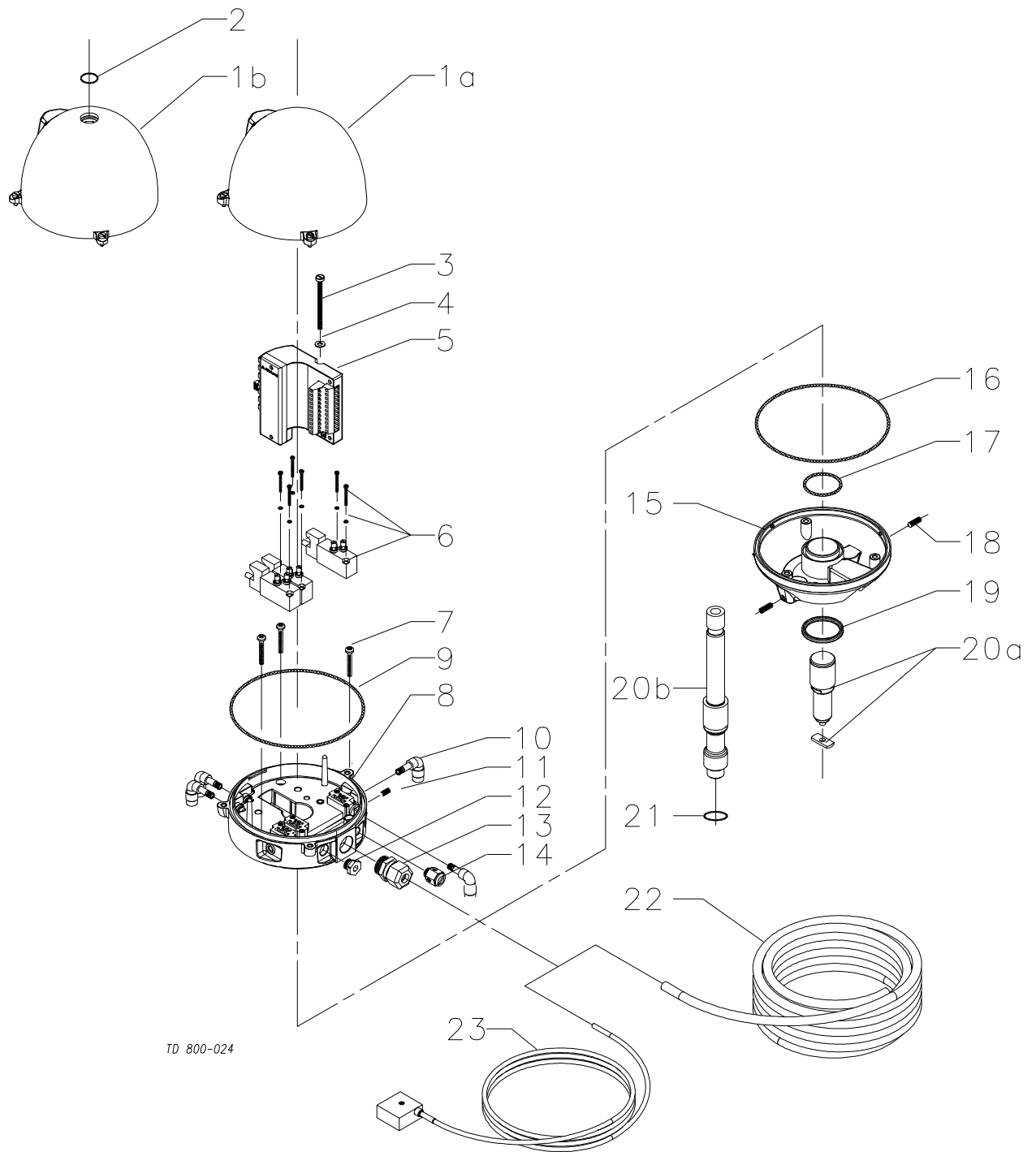


Digital 8-30 VDC PNP/NPN
AS-Interface 29.5-31.6 VDC
DeviceNet 11-25 VDC

2



TD 800-024

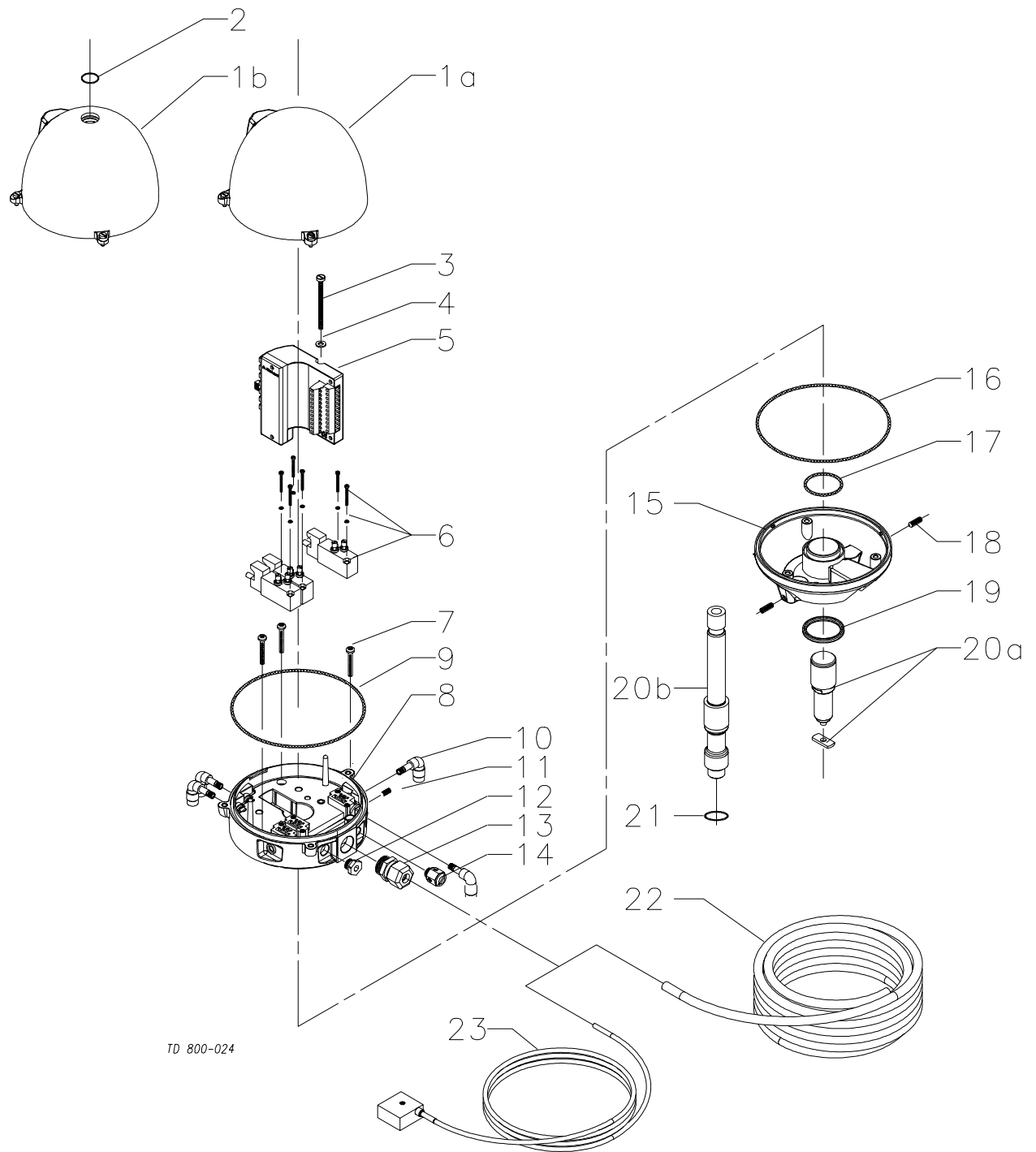
**Digital 8-30 VDC PNP/NPN
AS-Interface 29.5-31.6 VDC
DeviceNet 11-25 VDC**

**SRC, SRC-LS
ARC, SMP-BC
SMP-SC Spil-
lage-free
Unique mixproof
SMP-TO**

Pos.	Qty.	Denomination	LKB (LKLA-T) Koltek MH	SMP-EC	Ø6 mm Air Connection	1/4" Air Connection
1a	1	Shell complete	9612-5616-01			
1b	1	Shell complete		9612-5616-02		
2	1	O-ring, NBR		9611-99-2129		
3	1	Screw	9611-99-3458	9611-99-3458		
4	1	Washer	9611-99-3459	9611-99-3459		
5	1	Sensor unit Digital 8-30 VDC PNP/NPN	9612-5627-01	9612-5627-01		
	1	Sensor unit AS-Interface 29.5-31.6 VDC	9612-5627-03	9612-5627-03		
	1	Sensor unit DeviceNet 11-25 VDC	9612-5627-04	9612-5627-04		
6	1-3	Solenoid valve 3/2, 8 VDC	9611-99-3748			
	1-3	Solenoid valve 3/2, 24V DC	9611-99-3324	9611-99-3324		
	1-3	Solenoid valve 3/2, 24V AC	9611-99-3325	9611-99-3325		
	1-3	Solenoid valve 3/2, 110V AC	9611-99-3326	9611-99-3326		
	1	Solenoid valve 5/2, 8 VDC	9611-99-3749			
	1	Solenoid valve 5/2, 24V DC	9611-99-3327	9611-99-3327		
	1	Solenoid valve 5/2, 24V AC	9611-99-3328	9611-99-3328		
	1	Solenoid valve 5/2, 110V AC	9611-99-3329	9611-99-3329		
7	3	PT screw	9611-99-3457	9611-99-3457		
8	1	Base complete, no solenoids (Pos.9,12,13,14 included)			9612-5619-01	9612-5762-01
	1	Base complete, 3/2 8 VDC, one solenoid			9612-5619-16	9612-5762-16
		(Pos. 9, 10, 11, 12, 13, 14 included)				
	1	Base complete, 3/2 8 VDC, two solenoids			9612-5619-17	9612-5762-17
		(Pos. 9, 10, 11, 12, 13, 14 included)				
	1	Base complete, 3/2, 8 VDC, three solenoids			9612-5619-18	9612-5762-18
		(Pos. 9, 10, 11, 12, 13, 14 included)				
	1	Base complete, 5/2 8VDC, one solenoid			9612-5619-19	9612-5762-19
		(Pos. 9, 10, 11, 12, 13, 14 included)				
	1	Base complete, 3/2 24V DC, one solenoid			9612-5619-02	9612-5762-02
		(Pos.9,10,11,12,13,14 included)				
	1	Base complete, 3/2 24V DC, two solenoids			9612-5619-08	9612-5762-08
		(Pos.9,10,11,12,13,14 included)				
	1	Base complete, 3/2 24V DC, three solenoids			9612-5619-11	9612-5762-11
		(Pos.9,10,11,12,13,14 included)				
	1	Base complete, 5/2 24V DC, one solenoid			9612-5619-03	9612-5762-03
		(Pos.9,10,11,12,13,14 included)				
	1	Base complete, 3/2 24V AC, one solenoid			9612-5619-04	9612-5762-04
		(Pos.9,10,11,12,13,14 included)				
	1	Base complete, 3/2 24V AC, two solenoids			9612-5619-09	9612-5762-09
		(Pos.9,10,11,12,13,14 included)				
	1	Base complete, 3/2 24V AC, three solenoids			9612-5619-12	9612-5762-12
		(Pos.9,10,11,12,13,14 included)				
	1	Base complete, 5/2 24V AC, one solenoid			9612-5619-05	9612-5762-05
		(Pos.9,10,11,12,13,14 included)				
	1	Base complete, 3/2 110V AC, one solenoid			9612-5619-06	9612-5762-06
		(Pos.9,10,11,12,13,14 included)				
	1	Base complete, 3/2 110V AC, two solenoids			9612-5619-10	9612-5762-10
		(Pos.9,10,11,12,13,14 included)				
	1	Base complete, 3/2 110V AC, three solenoids			9612-5619-13	9612-5762-13
		(Pos.9,10,11,12,13,14 included)				
	1	Base complete, 5/2 110V AC, one solenoid			9612-5619-07	9612-5762-07
		(Pos.9,10,11,12,13,14 included)				
	1	Base prepared for no solenoids			9612-5620-01	9612-5761-01
	1	Base prepared for one 3/2 port solenoid			9612-5620-02	9612-5761-02
	1	Base prepared for two 3/2 port solenoids			9612-5620-04	9612-5761-04
	1	Base prepared for three 3/2 port solenoids			9612-5620-05	9612-5761-05
	1	Base prepared for one 5/2 port solenoid			9612-5620-03	9612-5761-03
	1	Base prepared for one 5/2 and one 3/2 port solenoid			9612-5620-06	9612-5761-06
	1	Base prepared for one 5/2 and two 3/2 port solenoids			9612-5620-07	9612-5761-07

Digital 8-30 VDC PNP/NPN
AS-Interface 29.5-31.6 VDC
DeviceNet 11-25 VDC

4



TD 800-024

**Digital 8-30 VDC PNP/NPN
AS-Interface 29.5-31.6 VDC
DeviceNet 11-25 VDC**

Pos.	Qty.	Denomination	SRC, SRC-LS ARC, SMP-BC SMP-SC Spil- lage-free <i>Unique</i> mixproof SMP-TO LKB (LKLA-T)		Ø6 mm Air Connection	1/4" Air Connection
			Koltek MH	SMP-EC		
9	1	O-ring, NBR	9611-99-3349	9611-99-3349		
10	1	Air fitting			9611-99-3405	9611-99-3433
11	1	Blow-off valve	9612-5636-01	9612-5636-01		
12	1	Thread plug, PG7	9611-99-3407	9611-99-3407		
13	1	Cable gland, PG11 4-10 mm	9611-99-3517	9611-99-3517		
14	1	Pressure control valve, 1/8"	9611-99-2928	9611-99-2928		
15	1	Adapter complete (Pos. 17,18,19 included)....	9612-5621-01	9612-5621-01		
	1	Adapter, cast	9612-5552-01	9612-5552-01		
16	1	O-ring	9611-99-3349	9611-99-3349		
17	1	O-ring	9611-99-3350	9611-99-3350		
18	2	Allen screw	9611-99-3409	9611-99-3409		
19	1	Special X-ring	9612-5696-01	9612-5696-01		
20a	1	Indication pin complete	9612-5623-01			
20b	1	Indication pin complete		9612-5625-01		
21	1	O-ring, EPDM		223403-80		
22	1	5m. flying PVC cable 12x0.5 mm ²	9611-99-3627	9611-99-3627		
23	1	2 m ASI Drop Cable (2x0.5mm ²)	9611-99-3518	9611-99-3518		
		with flat cable connector				

Note! Positions 22 and 23 do not exist in *ThinkTop*® DeviceNet