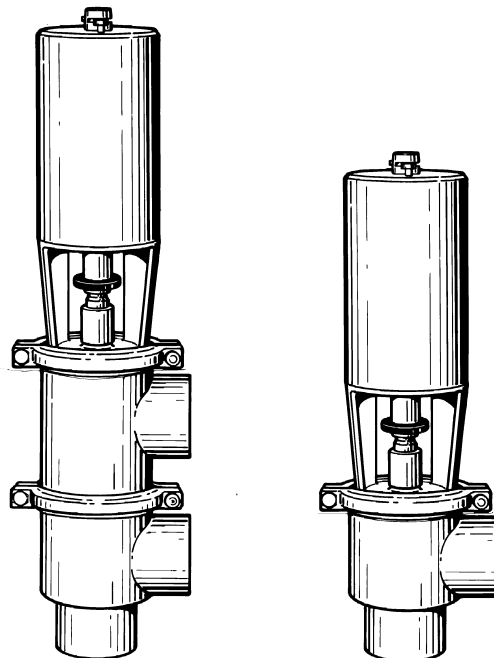


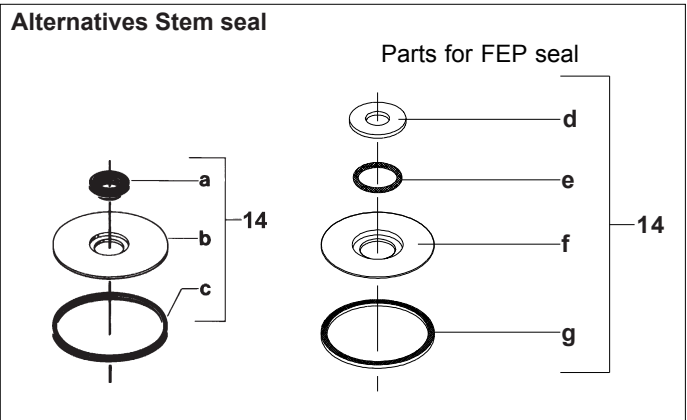
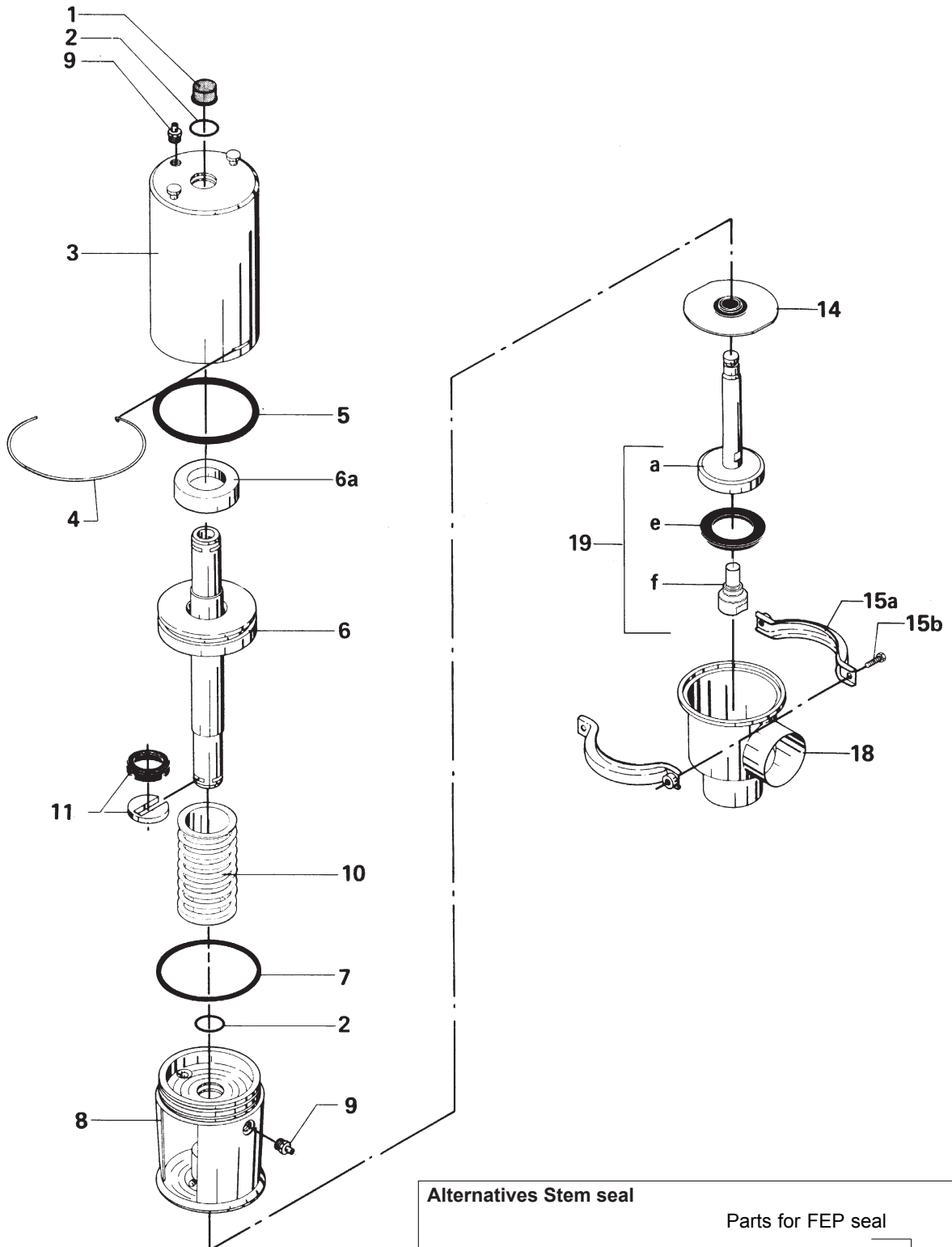
Spare Parts

# SRC Sanitary Remote-Controlled Valve



# Sanitary Remote Controlled Valve Stop Valve - 25 mm/DN25 - Type SRC

2



# Sanitary Remote Controlled Valve Stop Valve - 25 mm/DN25 - Type SRC

## ACTUATOR

Pos.	Qty	Denomination	NW 25 25 mm
		Actuator -1, complete (NO) .....	9612-6087-01
		Actuator -2, complete (NC) .....	9612-6087-02
		Actuator -3, complete (A/A) .....	9612-6087-03
1	1	Cap .....	31801-0525-6
2Δ	2	O-ring .....	223406-25
3	1	Cylinder .....	31353-0139-1
4Δ	1	Lock Wire .....	31353-0151-1
5Δ	1	O-ring .....	223401-74
6	1	Piston -1, -2 .....	31353-0621-1
	1	Piston -3 .....	31353-0621-2
6a	1	Stop ring .....	9612-6021-01
7Δ	1	O-ring .....	9611-99-0396
8	1	Bonnet .....	31353-0133-1
9*	2	Plug .....	31353-0154-1
10a*	1	Spring assembly (standard black) .....	31353-0625-1
10b*	1	Spring assembly with extra strong spring (white) .....	31353-0625-2
11Δ	1	<b>Clip, complete</b> .....	<b>31353-0793-1</b>
Δ		<b>Service kit</b> .....	<b>9611-92-0008</b>

\* Only for actuator -1 and -2.

### Valve Body Part

Pos.	Qty	Denomination	NW 25 25 mm
------	-----	--------------	----------------

### Stem Seal

14Δ	1	Lip seal, EPDM (standard) .....	31353-0155-1
	1	Lip seal, HNBR .....	31353-0155-4
	1	Lip seal, FPM .....	31353-0155-3

### Clamp

15a+b1		Clamps and screws .....	31320-0027-3
--------	--	-------------------------	--------------

### Valve Body

18	1	Valve body, 2 ports ISO .....	9612-5987-01
	1	Valve body, 2 ports DIN .....	9612-5988-01
	1	Valve body, 3 ports ISO .....	9612-5987-02
	1	Valve body, 3 ports DIN .....	9612-5988-02

### Valve Plug

19	1	Plug, single, complete EPDM (standard) .....	9612-5998-01
	1	Plug, single, complete NBR .....	9612-5998-02
	1	Plug, single, complete FPM .....	9612-5998-03
a	1	Stem .....	9612-5995-01
eΔ●	1	Seal ring, EPDM (standard) .....	9612-5996-01
	1	Seal ring, NBR .....	9612-5996-02
	1	Seal ring, FPM .....	9612-5996-03
	1	Seal ring, PTFE .....	9612-6279-01
f	1	Screw .....	9612-5997-01

Pos.	Qty	Denomination	NW 25 25 mm
<b>Valve Body with 0.8 RA finish inside</b>			
18	1	Valve body, 2 ports ISO .....	9612-5987-03
	1	Valve body, 2 ports DIN .....	9612-5988-03
18	1	Valve body, 3 ports ISO .....	9612-5987-04
	1	Valve body, 3 ports DIN .....	9612-5988-04
<b>Valve Plug with 0.8 RA finish</b>			
19	1	Plug, single, complete EPDM (standard) .....	9612-5998-04
	1	Plug, single, complete NBR .....	9612-5998-05
	1	Plug, single, complete FPM .....	9612-5998-06
a	1	Stem .....	31353-1007-9
f	1	Screw .....	9612-5997-02
Δ		<b>Service kit EPDM</b> .....	<b>9611-92-0535</b>
Δ		<b>Service kit NBR</b> .....	<b>9611-92-0536</b>
Δ		<b>Service kit FPM</b> .....	<b>9611-92-0537</b>

Parts marked with Δ are included in the service kits

### Alternatives

#### Stem seal

14	1	Lip seal kit, EPDM (standard) .....	9611-92-0078
	1	Lip seal kit, NBR .....	9611-92-0079
	1	Lip seal kit, FPM .....	9611-92-0080
a●	1	Lip seal, EPDM .....	9612-2806-01
	1	Lip seal, NBR .....	9612-2806-02
	1	Lip seal, FPM .....	9612-2806-03
b	1	Plate .....	9612-2805-01
c●	1	Seal ring, EPDM .....	31353-0128-1
	1	Seal ring, NBR .....	31353-0128-2
	1	Seal ring, FPM .....	31353-0128-3

#### Stem seal

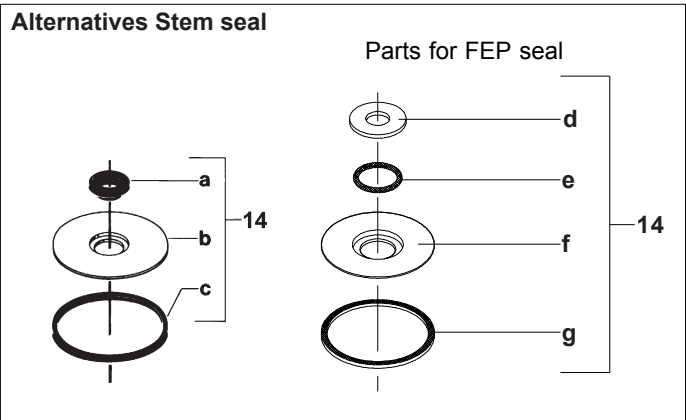
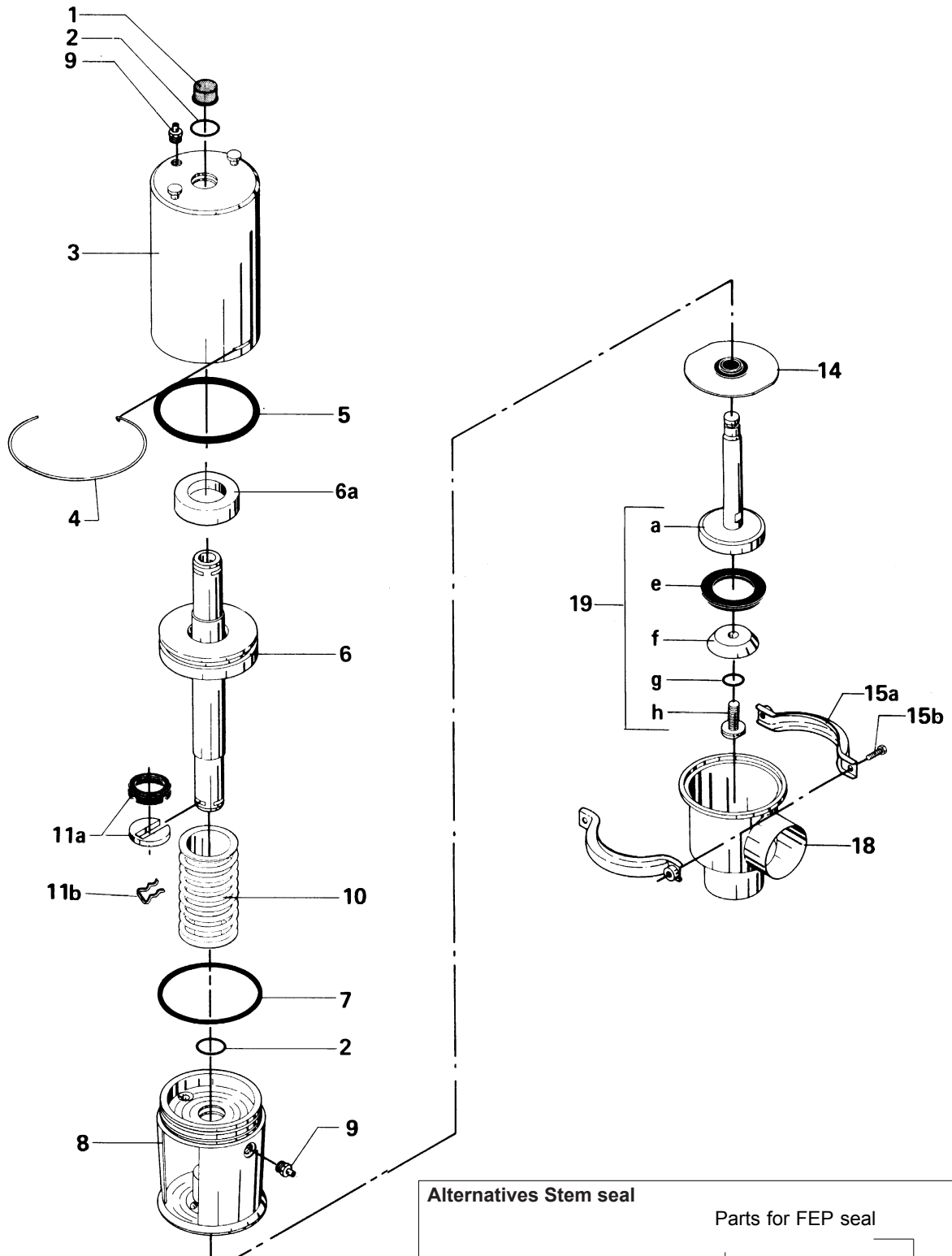
14d	1	Washer .....	31353-0452-1
e●	1	O-ring FEP/Silicone .....	9611-99-2909
f	1	Holder .....	31353-0453-1
g●	1	Valve body packing .....	31353-0451-1

### Service kits special lip seals (marked ●)

●	<b>Service kit EPDM</b> .....	<b>9611-92-0538</b>
●	<b>Service kit NBR</b> .....	<b>9611-92-0539</b>
●	<b>Service kit FPM</b> .....	<b>9611-92-0540</b>
●	<b>Service kit FEP</b> .....	<b>9611-92-0541</b>

**Sanitary Remote Controlled Valve  
Stop Valve - 38-101.6 mm/DN40-100 - Type SRC**

**4**



# Sanitary Remote Controlled Valve Stop Valve - 38-101.6 mm/DN40-100 - Type SRC

## ACTUATOR

Pos.	Qty	Denomination	DN40 38 mm	DN50 51 mm	DN65 63.5 mm	76 mm	DN80	DN100 101.6 mm
		Actuator -1, complete (NO)	31353-0206-1	31353-0206-1	31353-0206-1	31353-0214-1	31353-0214-1	31353-0214-1
		Actuator -2, complete (NC)	31353-0206-2	31353-0206-2	31353-0206-2	31353-0214-2	31353-0214-2	31353-0214-2
		Actuator -3, complete (A/A)	31353-0206-3	31353-0206-3	31353-0206-3	31353-0214-3	31353-0214-3	31353-0214-3
1	1	Cap	31801-0525-6	31801-0525-6	31801-0525-6	31801-0525-5	31801-0525-5	31801-0525-5
2Δ	2	O-ring	223406-25	223406-25	223406-25	223406-49	223406-49	223406-49
3	1	Cylinder	31353-0139-1	31353-0139-1	31353-0139-1	31353-0185-1	31353-0185-1	31353-0185-1
4Δ	1	Lock Wire	31353-0151-1	31353-0151-1	31353-0151-1	31353-0189-1	31353-0189-1	31353-0189-1
5Δ	1	O-ring	223401-74	223401-74	223401-74	223401-75	223401-75	223401-75
6	1	Piston -1, -2	31353-0621-1	31353-0621-1	31353-0621-1	31353-0619-1	31353-0619-1	31353-0619-1
	1	Piston -3	31353-0621-2	31353-0621-2	31353-0621-2	31353-0619-2	31353-0619-2	31353-0619-2
6a	1	Stop ring (only for actuator-3)	31353-1217-2	31353-1217-2	31353-1217-2			
7Δ	1	O-ring	9611-99-0396	9611-99-0396	9611-99-0396	223406-17	223406-17	223406-17
8	1	Bonnet	31353-0133-1	31353-0133-1	31353-0133-1	31353-0190-1	31353-0190-1	31353-0190-1
9*	2	Plug	31353-0154-1	31353-0154-1	31353-0154-1	31353-0154-1	31353-0154-1	31353-0154-1
10a*	1	Spring assembly (standard black)	31353-0625-1	31353-0625-1	31353-0625-1	31353-0622-1	31353-0622-1	31353-0622-1
10b*	1	Spring assembly with extra strong spring (white).	31353-0625-2	31353-0625-2	31353-0625-2	31353-0622-2	31353-0622-2	31353-0622-2
11aΔ	1	Clip, complete (period 84.08-)	31353-0793-1	31353-0793-1	31353-0793-1	31353-0793-2	31353-0793-2	31353-0793-2
11b	1	Clip, (period 68.02 - 84.07)	31353-0130-1	31353-0130-1	31353-0130-1	31353-0130-1	31353-0130-1	31353-0130-1
Δ		Service kit	9611-92-0008	9611-92-0008	9611-92-0008	9611-92-0009	9611-92-0009	9611-92-0009

\* Only for actuator -1 and -2.

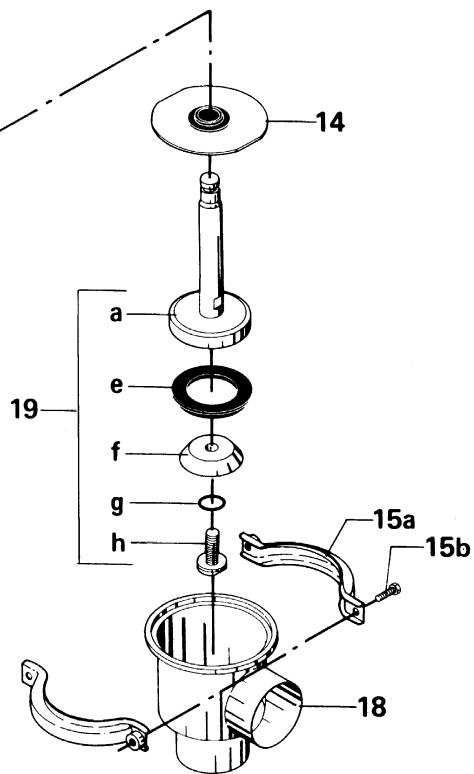
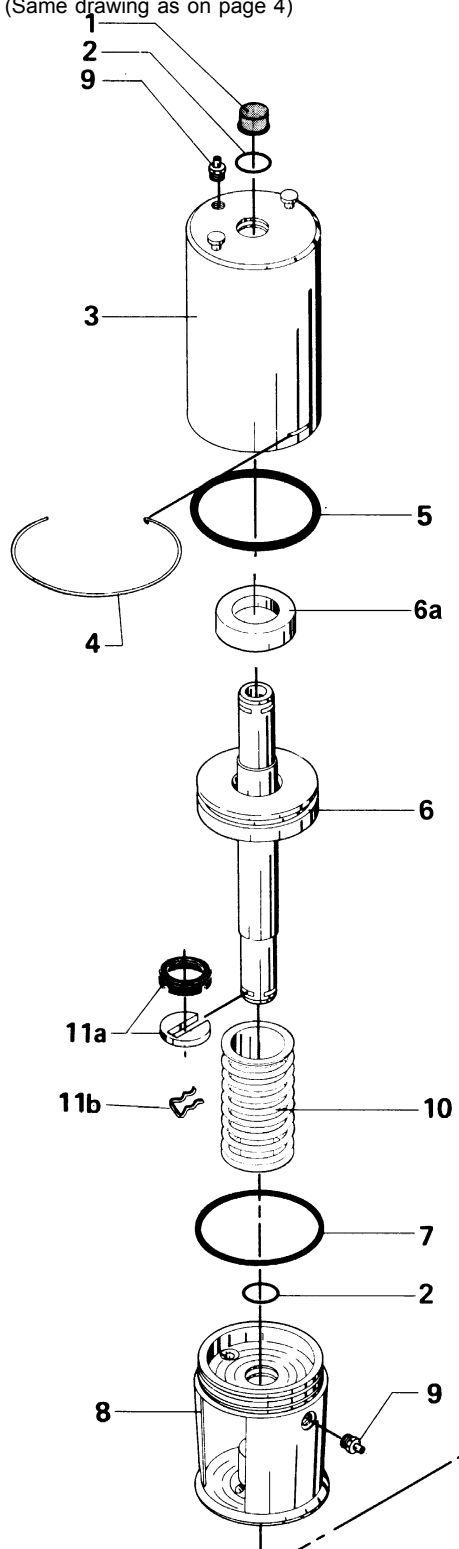
## Valve Body Part

Pos.	Qty	Denomination	DN40 38 mm	DN50 51 mm	DN65 63.5 mm	76 mm	DN80	DN100 101.6 mm
<b>Stem Seal</b>								
14Δ	1	Lip seal, EPDM (standard)	31353-0155-1	31353-0155-1	31353-0155-1	31353-0188-1	31353-0188-1	31353-0188-1
	1	Lip seal, NBR	31353-0155-2	31353-0155-2	31353-0155-2	31353-0188-2	31353-0188-2	31353-0188-2
	1	Lip seal, FPM	31353-0155-3	31353-0155-3	31353-0155-3	31353-0188-3	31353-0188-3	31353-0188-3
<b>Clamp</b>								
15a+b	1	Clamps and screws (Period 9209-)	31320-0027-3	31320-0027-3	31320-0027-3	31320-0027-2	31320-0027-2	31320-0027-2
15a	2	Clamp half (Period -9209)	31320-0022-1	31320-0022-1	31320-0022-1	31320-0021-1	31320-0021-1	31320-0021-1
15b	2	Screw (Period -9209)	2210936-18	2210936-18	2210936-18	2210936-18	2210936-18	2210936-18
<b>Valve Body</b>								
18	1	Valve body, 2 ports ISO	31353-0375-1	31353-0376-1	31353-0380-1	31353-0381-1		31353-0026-1
	1	Valve body, 2 ports DIN	9612-0940-01	9612-0941-01	9612-0942-01		9612-0943-01	9612-0944-01
18	1	Valve body, 3 ports ISO	31353-0375-6	31353-0376-6	31353-0380-6	31353-0381-6		31353-0026-6
	1	Valve body, 3 ports DIN	9612-0940-02	9612-0941-02	9612-0942-02		9612-0943-02	9612-0944-02
<b>Valve Plug</b>								
19	1	Plug, single, complete EPDM (standard)	31353-0330-1	31353-0331-1	31353-0332-1	31353-0333-1	31353-0333-4	31353-0334-1
	1	Plug, single, complete NBR	31353-0330-2	31353-0331-2	31353-0332-2	31353-0333-2	31353-0333-5	31353-0334-2
	1	Plug, single, complete FPM	31353-0330-3	31353-0331-3	31353-0332-3	31353-0333-3	31353-0333-6	31353-0334-3
a	1	Stem	31353-0340-1	31353-0377-1	31353-0378-1	31353-0341-1	31353-0341-2	31353-0379-1
eΔ●	1	Seal ring, EPDM (standard)	31353-0320-1	31353-0321-1	31353-0322-1	31353-0324-1	9612-0950-01	31353-0325-1
	1	Seal ring, NBR	31353-0320-2	31353-0321-2	31353-0322-2	31353-0324-2	9612-0950-02	31353-0325-2
	1	Seal ring, FPM	31353-0320-3	31353-0321-3	31353-0322-3	31353-0324-3	9612-0950-03	31353-0325-3
	1	Packing PTFE	31353-1211-1	31353-1212-1	31353-1213-1	31353-1214-1	31353-1225-1	31353-1215-1
f	1	Washer	31353-0357-1	31353-0358-1	31353-0359-1	31353-0360-1	31353-0360-2	31353-0361-1
gΔ●	1	O-ring, EPDM (standard)	990034-01	990034-01	990034-01	990034-01	990034-01	990034-01
	1	O-ring, NBR	223404-21	223404-21	223404-21	223404-21	223404-21	223404-21
	1	O-ring, FPM	223404-35	223404-35	223404-35	223404-35	223404-35	223404-35
	1	Seal ring, PTFE	9612-4330-01	9612-4330-01	9612-4330-01	9612-4330-01	9612-4330-01	9612-4330-01
h	1	Screw	31353-0362-1	31353-0362-1	31353-0362-1	31353-0362-1	31353-0362-1	31353-0362-1
<b>Valve Body with 0.8 RA finish inside</b>								
18	1	Valve body, 2 ports ISO	31353-0375-2	31353-0376-2	31353-0380-2	31353-0381-2		31353-0026-2
	1	Valve body, 2 ports DIN	9612-0940-03	9612-0941-03	9612-0942-03		9612-0943-03	9612-0944-03
18	1	Valve body, 3 ports ISO	31353-0375-3	31353-0376-3	31353-0380-3	31353-0381-3		31353-0026-3
	1	Valve body, 3 ports DIN	9612-0940-04	9612-0941-04	9612-0942-04		9612-0943-04	9612-0944-04

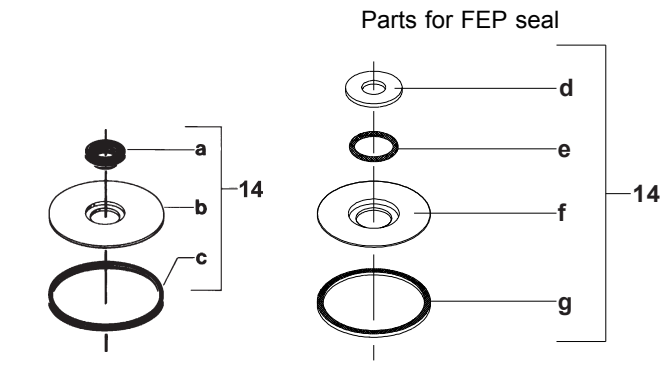
# Sanitary Remote Controlled Valve Stop Valve - 38-101.6 mm/DN40-100 - Type SRC

6

(Same drawing as on page 4)



### Alternatives Stem seal



# Sanitary Remote Controlled Valve Stop Valve - 38-101.6 mm/DN40-100 - Type SRC

Pos.	Qty	Denomination	DN40 38 mm	DN50 51 mm	DN65 63.5 mm	76 mm	DN80	DN100 101.6 mm
<b>Valve Plug with 0.8 RA finish</b>								
19	1	Plug, single, complete EPDM .. (standard)	31353-1090-1	31353-1091-1	31353-1092-1	31353-1093-1	31353-1093-4	31353-1094-1
	1	Plug, single, complete NBR .....	31353-1090-2	31353-1091-2	31353-1092-2	31353-1093-2	31353-1093-5	31353-1094-2
	1	Plug, single, complete FPM .....	31353-1090-3	31353-1091-3	31353-1092-3	31353-1093-3	31353-1093-6	31353-1094-3
a	1	Stem .....	31353-1007-1	31353-1007-2	31353-1007-3	31353-1007-4	31353-1007-8	31353-1007-5
f	1	Washer .....	31353-1010-1	31353-1010-2	31353-1010-3	31353-1010-4	31353-1010-6	31353-1010-5
h	1	Screw .....	31353-1011-1	31353-1011-1	31353-1011-1	31353-1011-1	31353-1011-1	31353-1011-1
Δ		<b>Service kit EPDM .....</b>	<b>9611-92-0010</b>	<b>9611-92-0013</b>	<b>9611-92-0016</b>	<b>9611-92-0019</b>	<b>9611-92-0105</b>	<b>9611-92-0022</b>
Δ		<b>Service kit NBR .....</b>	<b>9611-92-0011</b>	<b>9611-92-0014</b>	<b>9611-92-0017</b>	<b>9611-92-0020</b>	<b>9611-92-0106</b>	<b>9611-92-0023</b>
Δ		<b>Service kit FPM .....</b>	<b>9611-92-0012</b>	<b>9611-92-0015</b>	<b>9611-92-0018</b>	<b>9611-92-0021</b>	<b>9611-92-0107</b>	<b>9611-92-0024</b>

Parts marked with Δ are included in the service kits

### Alternatives

#### Stem seal

14	1	Lipseal kit, EPDM .....	9611-92-0078	9611-92-0078	9611-92-0078	9611-92-0142	9611-92-0142	9611-92-0142
	1	Lipseal kit, NBR .....	9611-92-0079	9611-92-0079	9611-92-0079	9611-92-0143	9611-92-0143	9611-92-0143
	1	Lipseal kit, FPM .....	9611-92-0080	9611-92-0080	9611-92-0080	9611-92-0144	9611-92-0144	9611-92-0144
a●	1	Lipseal, EPDM .....	9612-2806-01	9612-2806-01	9612-2806-01	9612-3088-01	9612-3088-01	9612-3088-01
	1	Lipseal, NBR .....	9612-2806-02	9612-2806-02	9612-2806-02	9612-3088-02	9612-3088-02	9612-3088-02
	1	Lipseal, FPM .....	9612-2806-03	9612-2806-03	9612-2806-03	9612-3088-03	9612-3088-03	9612-3088-03
b	1	Plate .....	9612-2805-01	9612-2805-01	9612-2805-01	9612-3087-01	9612-3087-01	9612-3087-01
c●	1	Seal ring, EPDM .....	31353-0128-1	31353-0128-1	31353-0128-1	31353-0205-1	31353-0205-1	31353-0205-1
	1	Seal ring, NBR .....	31353-0128-2	31353-0128-2	31353-0128-2	31353-0205-2	31353-0205-2	31353-0205-2
	1	Seal ring, FPM .....	31353-0128-3	31353-0128-3	31353-0128-3	31353-0205-3	31353-0205-3	31353-0205-3

#### Stem seal

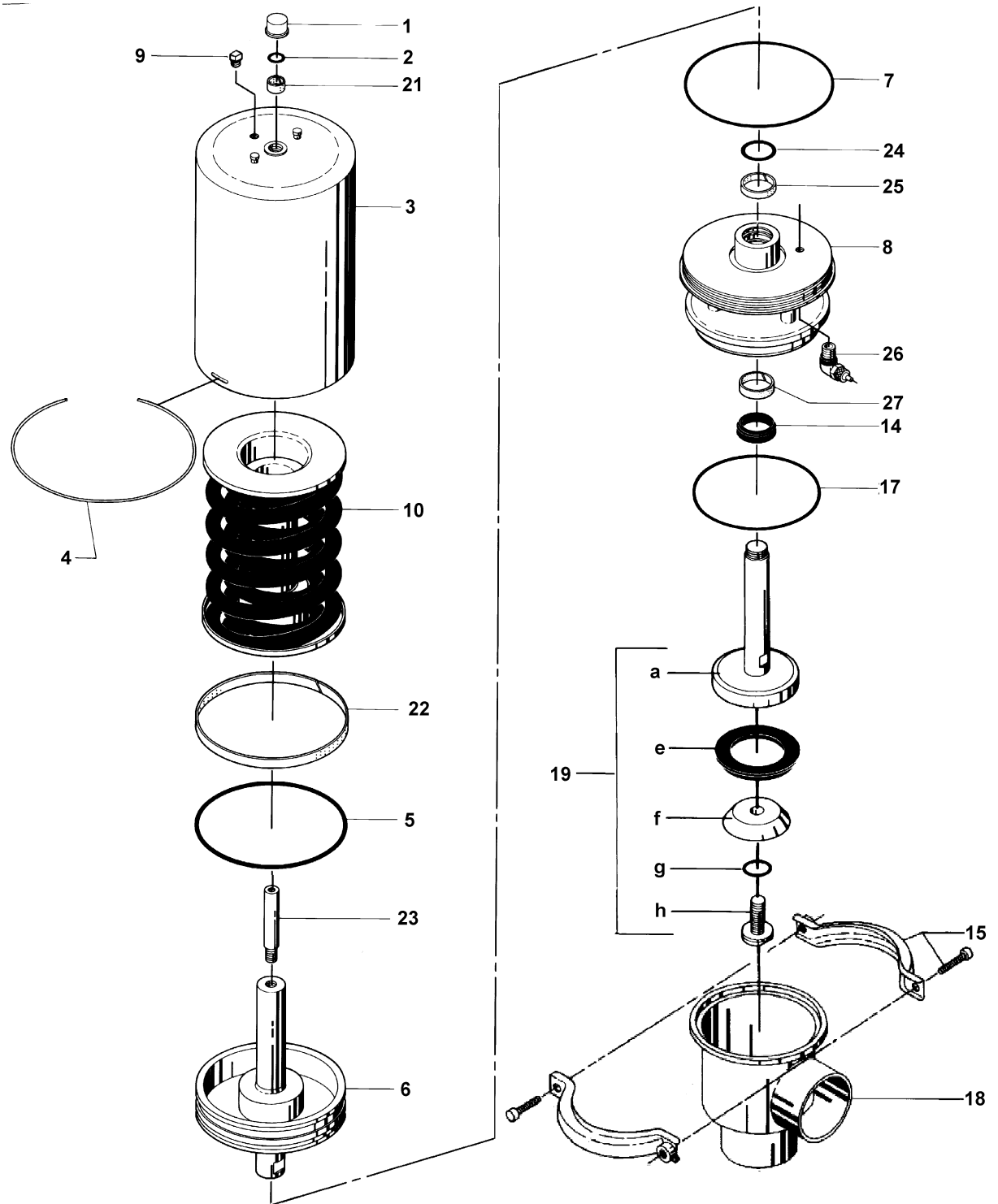
14d	1	Washer .....	31353-0452-1	31353-0452-1	31353-0452-1	31353-0452-2	31353-0452-2	31353-0452-2
e●	1	O-ring FEP/Silicone .....	9611-99-2909	9611-99-2909	9611-99-2909	9611-99-2910	9611-99-2910	9611-99-2910
f	1	Holder .....	31353-0453-1	31353-0453-1	31353-0453-1	31353-0454-1	31353-0454-1	31353-0454-1
g●	1	Valve body packing .....	31353-0451-1	31353-0451-1	31353-0451-1	31353-0451-2	31353-0451-2	31353-0451-2

#### Service kits special lip seals (marked ●)

●		<b>Service kit EPDM .....</b>	<b>9611-92-0447</b>	<b>9611-92-0451</b>	<b>9611-92-0455</b>	<b>9611-92-0459</b>	<b>9611-92-0463</b>	<b>9611-92-0467</b>
●		<b>Service kit NBR .....</b>	<b>9611-92-0448</b>	<b>9611-92-0452</b>	<b>9611-92-0456</b>	<b>9611-92-0460</b>	<b>9611-92-0464</b>	<b>9611-92-0468</b>
●		<b>Service kit FPM .....</b>	<b>9611-92-0449</b>	<b>9611-92-0453</b>	<b>9611-92-0457</b>	<b>9611-92-0461</b>	<b>9611-92-0465</b>	<b>9611-92-0469</b>
●		<b>Service kit FEP .....</b>	<b>9611-92-0450</b>	<b>9611-92-0454</b>	<b>9611-92-0458</b>	<b>9611-92-0462</b>	<b>9611-92-0466</b>	<b>9611-92-0470</b>

# Sanitary Remote-Controlled Valve Stop Valve - DN125-150 - Type SRC

8





# Sanitary Remote-Controlled Valve Stop Valve - DN125-150 - Type SRC

## Actuator

Pos.	Qty.	Denomination	NC	NO
		Actuator, complete .....	9612-4657-01	9612-4657-02
1	1	Cap .....	9611-99-3060	9611-99-3060
2●	1	O-ring .....	9611-99-3006	9611-99-3006
3	1	Cylinder .....	9612-4655-01	9612-4655-01
4●	1	Lock wire .....	9612-3805-01	9612-3805-01
5●	1	O-ring .....	9611-99-3008	9611-99-3008
6	1	Piston .....	9612-4411-01	9612-4411-02
7●	1	O-ring .....	9611-99-2892	9611-99-2892
8	1	Bonnet .....	9612-5080-01	9612-5080-01
9	1	Plug .....	31353-0154-1	31353-0154-1
10	1	Spring packet .....	9612-4413-01	9612-4413-01
21●	1	Guide ring .....	9612-2926-16	9612-2926-16
22●	1	Guide ring .....	9612-2926-23	9612-2926-23
23	1	Top pin .....	9612-4408-01	9612-4408-01
24●	1	O-ring .....	9611-99-3012	9611-99-3012
26	1	Air fitting .....	9611-99-1988	9611-99-1988
25●	1	Guide ring .....	9612-2926-20	9612-2926-20
27●	1	Guide ring .....	9612-2926-21	9612-2926-21
●		<b>Service kit .....</b>	<b>9611-92-0296</b>	<b>9611-92-0296</b>

Parts marked with ● are included in the **service kit**.

## Valve Body Part

Pos.	Qty.	Denomination	DN 125	DN 150
14Δ	1	Lip seal, EPDM (standard) .....	9612-3204-07	9612-3204-07
	1	Lip seal, NBR .....	9612-3204-08	9612-3204-08
	1	Lip seal, FPM .....	9612-3204-09	9612-3204-09

## Clamp

15	1	Clamp complete .....	9611-31-105-8	9611-31-105-8
----	---	----------------------	---------------	---------------

## Valve Body

17Δ	1	Valve body seal ring, EPDM (standard) ....	9611-99-2937	9611-99-2937
	1	Valve body seal ring, NBR .....	9611-99-2938	9611-99-2938
	1	Valve body seal ring, FPM .....	9611-99-2939	9611-99-2939
18	1	Valve body, 2 ports DIN .....	9612-4405-01	9612-4406-01
	1	Valve body, 3 ports DIN .....	9612-4405-02	9612-4406-02

## Valve Plug

19	1	Plug, single, complete EPDM (standard) .....	9612-4380-01	9612-4380-04
	1	Plug, single, complete NBR .....	9612-4380-02	9612-4380-05
	1	Plug, single, complete FPM .....	9612-4380-03	9612-4380-06
a	1	Stem .....	9612-4383-01	9612-4383-02
eΔ	1	Seal ring, EPDM (standard) .....	9612-4385-01	9612-4385-01
	1	Seal ring, NBR .....	9612-4385-02	9612-4385-02
	1	Seal ring, FPM .....	9612-4385-03	9612-4385-03
f	1	Washer .....	9612-4384-01	9612-4384-01
gΔ	1	O-ring, EPDM (standard) .....	9611-99-2674	9611-99-2674
	1	O-ring, NBR .....	9611-99-2675	9611-99-2675
	1	O-ring, FPM .....	9611-99-2676	9611-99-2676
h	1	Screw .....	9612-4387-01	9612-4387-01

Recommended spare parts: **Service kits**.



# Sanitary Remote-Controlled Valve Stop Valve - DN125-150 - Type SRC

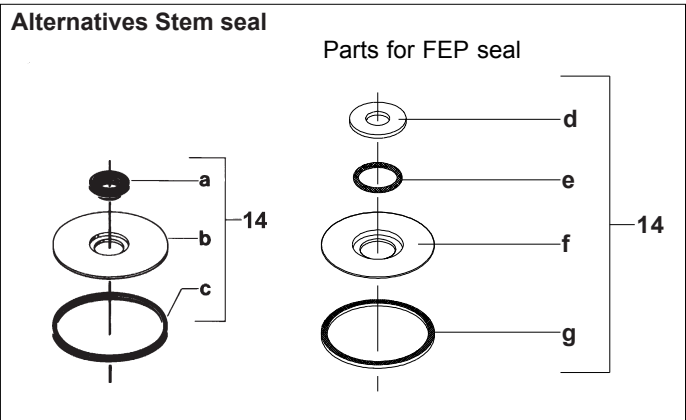
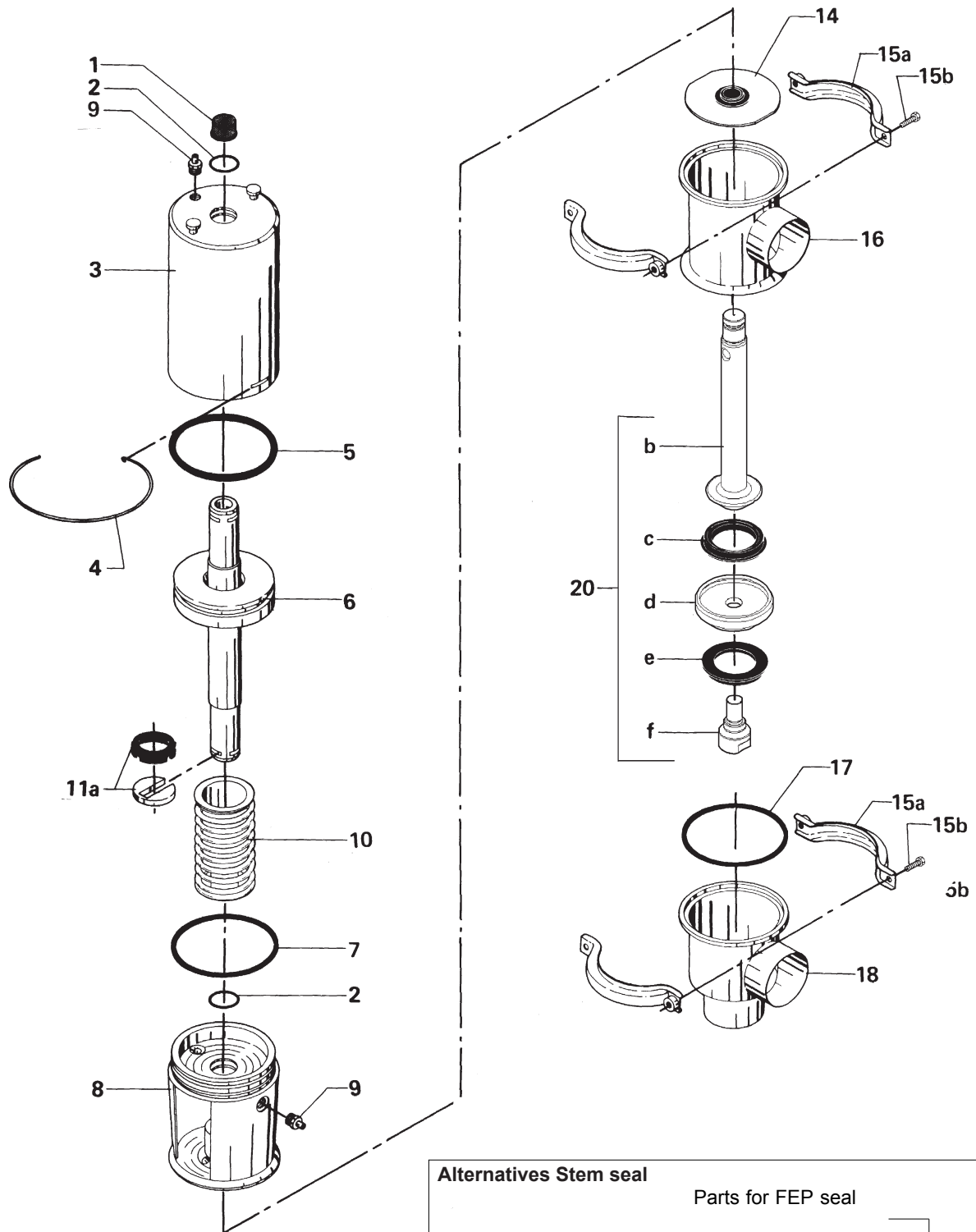
## Surface roughness, product wetted parts: Ra ≤ 0.8 μm

Pos.	Qty.	Denomination	DN 125	DN 150
<b>Valve Body</b>				
18	1	Valve body, 2 ports DIN .....	9612-4405-03	9612-4406-03
	1	Valve body, 3 ports DIN .....	9612-4405-04	9612-4406-04
<b>Valve Plug</b>				
19	1	Plug,single,complete EPDM (standard) .....	9612-4380-07	9612-4380-10
	1	Plug,single,complete NBR .....	9612-4380-08	9612-4380-11
	1	Plug,single,complete FPM .....	9612-4380-09	9612-4380-12
a	1	Stem .....	31353-1007-6	31353-1007-7
f	1	Washer .....	9612-4384-02	9612-4384-02
h	1	Screw .....	9612-4387-02	9612-4387-02
Δ		<b>Service kit EPDM .....</b>	<b>9611-92-0355</b>	<b>9611-92-0355</b>
Δ		<b>Service kit NBR .....</b>	<b>9611-92-0356</b>	<b>9611-92-0356</b>
Δ		<b>Service kit FPM .....</b>	<b>9611-92-0357</b>	<b>9611-92-0357</b>

Parts marked with Δ are included in the **service kits**

# Sanitary Remote-Controlled Valve Change-over Valve - 25 mm/DN25 - Type SRC

12



# Sanitary Remote-Controlled Valve Change-over Valve - 25 mm/DN25 - Type SRC

## ACTUATOR

Pos.	Qty	Denomination	DN 25 25 mm
		Actuator -1, complete (NO) .....	31353-0206-1
		Actuator -2, complete (NC) .....	31353-0206-2
		Actuator -3, complete (A/A) .....	31353-0206-3
1	1	Cap .....	31801-0525-6
2Δ	2	O-ring .....	223406-25
3	1	Cylinder .....	31353-0139-1
4Δ	1	Lock Wire .....	31353-0151-1
5Δ	1	O-ring .....	223401-74
6	1	Piston -1, -2 .....	31353-0621-1
	1	Piston -3 .....	31353-0621-2
7Δ	1	O-ring .....	9611-99-0396
8	1	Bonnet .....	31353-0133-1
9*	2	Plug .....	31353-0154-1
10a*	1	Spring assembly (standard black) ..	31353-0625-1
10b*	1	Spring assembly with extra strong spring (white).	31353-0625-2
11Δ	1	Clip, complete .....	31353-0793-1
<b>Δ</b>		<b>Service kit .....</b>	<b>9611-92-0008</b>

\* Only for actuator -1 and -2.

### Valve Body Part

Pos.	Qty	Denomination	DN 25 25 mm
<b>Stem Seal</b>			
14Δ	1	Lip seal, EPDM (standard) .....	31353-0155-1
	1	Lip seal, HNBR .....	31353-0155-4
	1	Lip seal, FPM .....	31353-0155-3
<b>Clamp</b>			
15a+b2		Clamps and screws (Period 9209-) ..	31320-0027-3
<b>Valve Body</b>			
16	1	Valve body, upper, 1 port ISO .....	9612-5991-01
	1	Valve body, upper, 1 port DIN .....	9612-5992-01
16	1	Valve body, upper, 2 ports ISO .....	9612-5991-02
	1	Valve body, upper, 2 ports DIN .....	9612-5992-02
17Δ●	1	Valve body seal ring, EPDM .....	31353-0128-1 (standard)
	1	Valve body seal ring, NBR .....	31353-0128-2
	1	Valve body seal ring, FPM .....	31353-0128-3
	1	Valve body packing, PTFE .....	31353-0451-1
18	1	Valve body, lower, 2 ports ISO .....	9612-5987-01
	1	Valve body, lower, 2 ports DIN .....	9612-5988-01
18	1	Valve body, lower, 3 ports ISO .....	9612-5987-02
	1	Valve body, lower, 3 ports DIN .....	9612-5988-02
<b>Valve Plug</b>			
20	1	Plug, double, complete EPDM .....	9612-6006-01 (standard)
	1	Plug, double, complete NBR .....	9612-6006-02
	1	Plug, double, complete FPM .....	9612-6006-03
b	1	Stem .....	9612-6004-01
cΔ●	1	Seal ring, upper, EPDM (standard) ..	31353-0320-1
	1	Seal ring, upper, NBR .....	31353-0320-2
	1	Seal ring, upper, FPM .....	31353-0320-3
	1	Packing upper, PTFE .....	31353-1211-1
d	1	Middle piece .....	9612-6005-01
eΔ●	1	Seal ring, lower, EPDM (standard) ..	9612-5996-01
	1	Seal ring, lower, NBR .....	9612-5996-02
	1	Seal ring, lower, FPM .....	9612-5996-03
	1	Packing, PTFE .....	9612-6279-01
f	1	Screw .....	9612-5997-01

### Valve Body with 0.8 RA finish inside

16	1	Valve body, upper, 1 port ISO .....	9612-5991-03
	1	Valve body, upper, 1 port DIN .....	9612-5992-03
16	1	Valve body, upper, 2 ports ISO .....	9612-5991-04
	1	Valve body, upper, 2 ports DIN .....	9612-5992-04
18	1	Valve body, lower, 2 ports ISO .....	9612-5987-03
	1	Valve body, lower, 2 ports DIN .....	9612-5988-03
18	1	Valve body, lower, 3 ports ISO .....	9612-5987-04
	1	Valve body, lower, 3 ports DIN .....	9612-5988-04

### Valve Plug with 0.8 RA finish

20	1	Plug, double, complete EPDM .....	9612-6006-04 (standard)
	1	Plug, double, complete NBR .....	9612-6006-05
	1	Plug, double, complete FPM .....	9612-6006-06
b	1	Stem .....	31353-1008-9
d	1	Middle piece .....	9612-6005-02
f	1	Screw .....	9612-5997-02

<b>Δ</b>	<b>Service kit EPDM .....</b>	<b>9611-92-0542</b>
<b>Δ</b>	<b>Service kit NBR .....</b>	<b>9611-92-0543</b>
<b>Δ</b>	<b>Service kit FPM .....</b>	<b>9611-92-0544</b>

Parts marked with Δ are included in the service kits.

### Alternatives

<b>Stem seal</b>			
14	1	Lip seal kit, EPDM (standard) .....	9611-92-0078
	1	Lip seal kit, NBR .....	9611-92-0079
	1	Lip seal kit, FPM .....	9611-92-0080
a●	1	Lip seal, EPDM .....	9612-2806-01
	1	Lip seal, NBR .....	9612-2806-02
	1	Lip seal, FPM .....	9612-2806-03
b	1	Plate .....	9612-2805-01
c●	1	Seal ring, EPDM .....	31353-0128-1
	1	Seal ring, NBR .....	31353-0128-2
	1	Seal ring, FPM .....	31353-0128-3
<b>Stem seal</b>			
14d	1	Washer .....	31353-0452-1
e●	1	O-ring FEP/Silicone .....	9611-99-2909
f	1	Holder .....	31353-0453-1
g●	1	Valve body packing .....	31353-0451-1

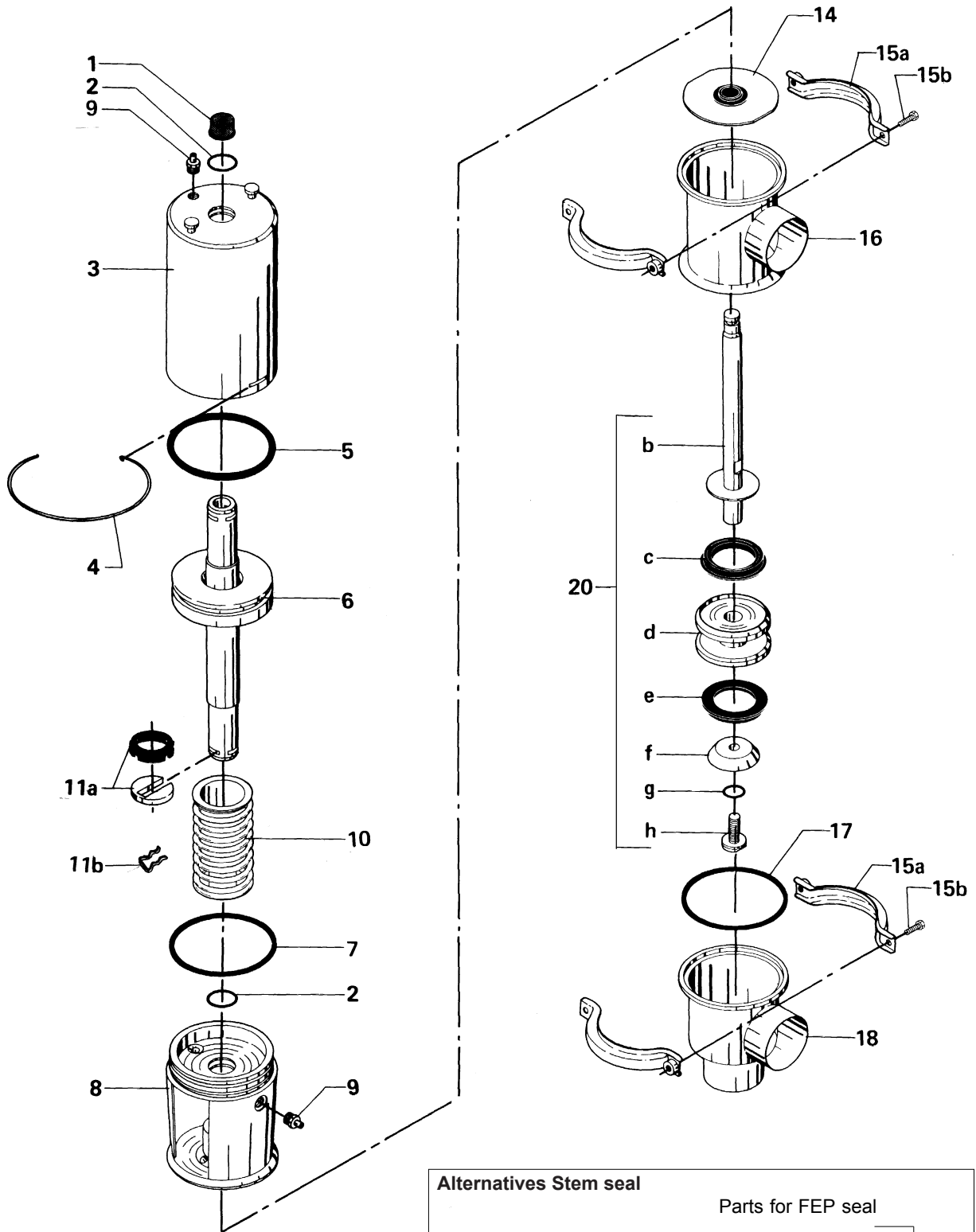
### Service kits special lip seals (marked ●)

●	<b>Service kit EPDM .....</b>	<b>9611-92-0545</b>
●	<b>Service kit NBR .....</b>	<b>9611-92-0546</b>
●	<b>Service kit FPM .....</b>	<b>9611-92-0547</b>
●	<b>Service kit FEP .....</b>	<b>9611-92-0548</b>

**Recommended spare parts: Service kits.**  
900-091/1

**Sanitary Remote-Controlled Valve  
Change-over Valve - 38-101.6 mm/DN40-100 - Type SRC**

**14**



# Sanitary Remote-Controlled Valve Change-over Valve - 38-101.6 mm/DN40-100 - Type SRC

## ACTUATOR

Pos.	Qty	Denomination	DN40 38 mm	DN50 51 mm	DN65 63.5 mm	76 mm	DN80	DN 100 101.6 mm
		Actuator -1, complete (NO) .....	31353-0206-1	31353-0206-1	31353-0206-1	31353-0214-1	31353-0214-1	31353-0214-1
		Actuator -2, complete (NC) .....	31353-0206-2	31353-0206-2	31353-0206-2	31353-0214-2	31353-0214-2	31353-0214-2
		Actuator -3, complete (A/A) .....	31353-0206-3	31353-0206-3	31353-0206-3	31353-0214-3	31353-0214-3	31353-0214-3
1	1	Cap .....	31801-0525-6	31801-0525-6	31801-0525-6	31801-0525-5	31801-0525-5	31801-0525-5
2Δ	2	O-ring .....	223406-25	223406-25	223406-25	223406-49	223406-49	223406-49
3	1	Cylinder .....	31353-0139-1	31353-0139-1	31353-0139-1	31353-0185-1	31353-0185-1	31353-0185-1
4Δ	1	Lock Wire .....	31353-0151-1	31353-0151-1	31353-0151-1	31353-0189-1	31353-0189-1	31353-0189-1
5Δ	1	O-ring .....	223401-74	223401-74	223401-74	223401-75	223401-75	223401-75
6	1	Piston -1, -2 .....	31353-0621-1	31353-0621-1	31353-0621-1	31353-0619-1	31353-0619-1	31353-0619-1
	1	Piston -3 .....	31353-0621-2	31353-0621-2	31353-0621-2	31353-0619-2	31353-0619-2	31353-0619-2
7Δ	1	O-ring .....	9611-99-0396	9611-99-0396	9611-99-0396	223406-17	223406-17	223406-17
8	1	Bonnet .....	31353-0133-1	31353-0133-1	31353-0133-1	31353-0190-1	31353-0190-1	31353-0190-1
9*	2	Plug .....	31353-0154-1	31353-0154-1	31353-0154-1	31353-0154-1	31353-0154-1	31353-0154-1
10a*	1	Spring assembly (standard black)	31353-0625-1	31353-0625-1	31353-0625-1	31353-0622-1	31353-0622-1	31353-0622-1
10b*	1	Spring assembly with extra strong spring (white).	31353-0625-2	31353-0625-2	31353-0625-2	31353-0622-2	31353-0622-2	31353-0622-2
11aΔ	1	Clip, complete (period 84.08-) .....	31353-0793-1	31353-0793-1	31353-0793-1	31353-0793-2	31353-0793-2	31353-0793-2
11b	1	Clip, (period 68.02 - 84.07) .....	31353-0130-1	31353-0130-1	31353-0130-1	31353-0130-1	31353-0130-1	31353-0130-1
Δ		<b>Service kit.....</b>	<b>9611-92-0008</b>	<b>9611-92-0008</b>	<b>9611-92-0008</b>	<b>9611-92-0009</b>	<b>9611-92-0009</b>	<b>9611-92-0009</b>

\* Only for actuator -1 and -2.

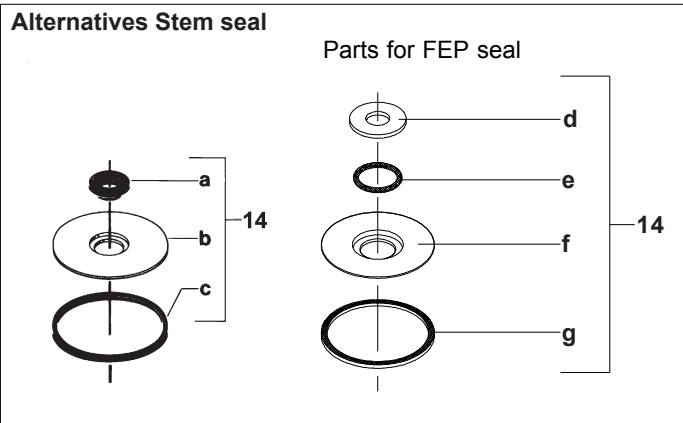
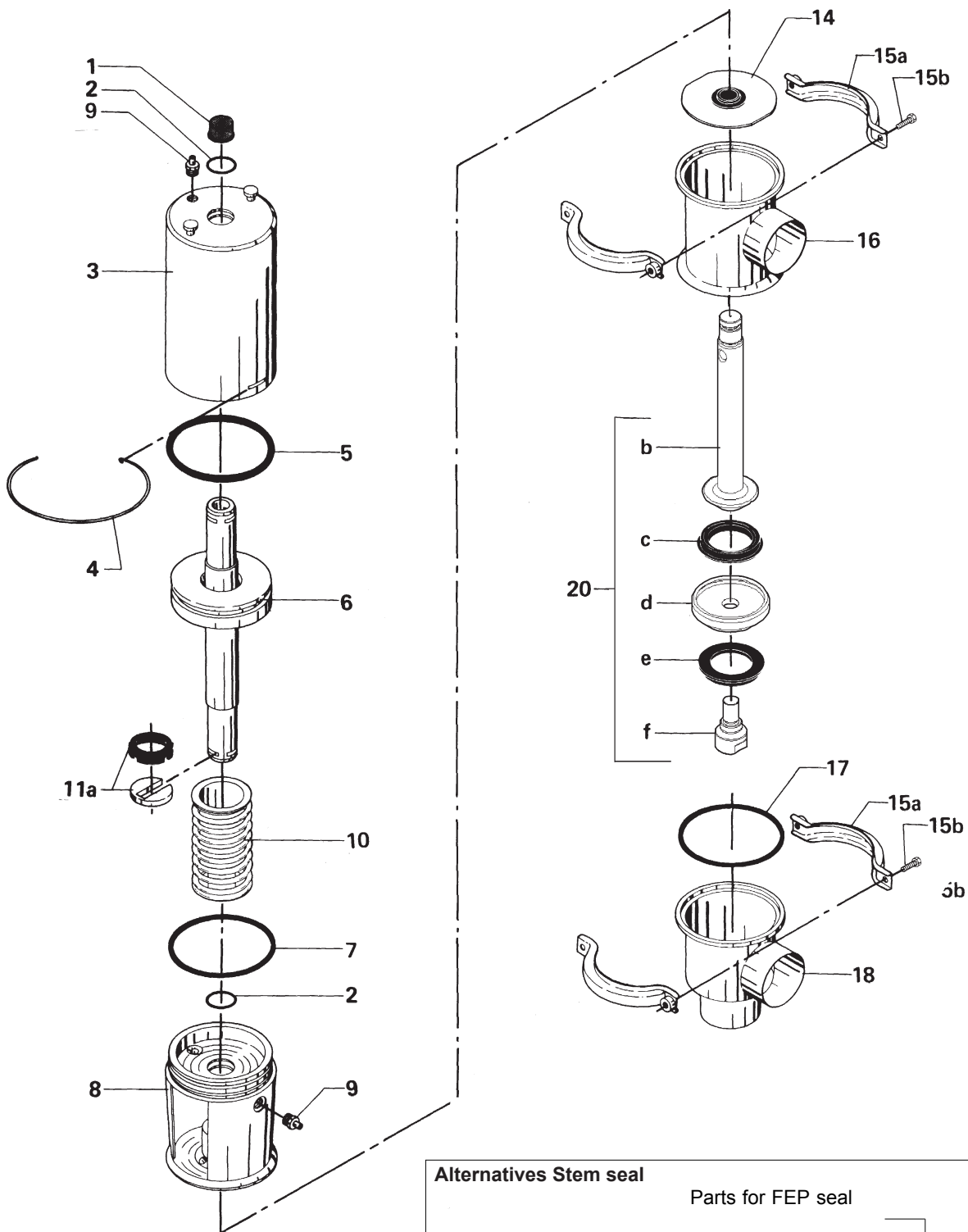
## Valve Body Part

Pos.	Qty	Denomination	DN40 38 mm	DN50 51 mm	DN65 63.5 mm	76 mm	DN80	DN 100 101.6 mm
<b>Stem Seal</b>								
14Δ	1	Lip seal, EPDM (standard) .....	31353-0155-1	31353-0155-1	31353-0155-1	31353-0188-1	31353-0188-1	31353-0188-1
	1	Lip seal, NBR .....	31353-0155-2	31353-0155-2	31353-0155-2	31353-0188-2	31353-0188-2	31353-0188-2
	1	Lip seal, FPM .....	31353-0155-3	31353-0155-3	31353-0155-3	31353-0188-3	31353-0188-3	31353-0188-3
<b>Clamp</b>								
15a+b	2	Clamps and screws .....	31320-0027-3	31320-0027-3	31320-0027-3	31320-0027-2	31320-0027-2	31320-0027-2
		(Period 9209-)						
15a	4	Clamp half (Period -9209) .....	31320-0022-1	31320-0022-1	31320-0022-1	31320-0021-1	31320-0021-1	31320-0021-1
15b	4	Screw (Period -9209) .....	2210936-18	2210936-18	2210936-18	2210936-18	2210936-18	2210936-18
<b>Valve Body</b>								
16	1	Valve body, upper, 1 port ISO .....	31353-0053-1	31353-0054-1	31353-0055-1	31353-0056-1		31353-0058-1
	1	Valve body, upper, 1 port DN .....	9612-0945-01	9612-0946-01	9612-0947-01		9612-0948-01	9612-0949-01
16	1	Valve body, upper, 2 ports ISO ...	31353-0053-6	31353-0054-6	31353-0055-6	31353-0056-6		31353-0058-6
	1	Valve body, upper, 2 ports DN ....	9612-0945-02	9612-0946-02	9612-0947-02		9612-0948-02	9612-0949-02
17Δ●	1	Valve body seal ring, EPDM .....	31353-0128-1	31353-0128-1	31353-0128-1	31353-0205-1	31353-0205-1	31353-0205-1
	1	Valve body seal ring, NBR .....	31353-0128-2	31353-0128-2	31353-0128-2	31353-0205-2	31353-0205-2	31353-0205-2
	1	Valve body seal ring, FPM .....	31353-0128-3	31353-0128-3	31353-0128-3	31353-0205-3	31353-0205-3	31353-0205-3
	1	Valve body packing, PTFE .....	31353-0451-1	31353-0451-1	31353-0451-1	31353-0451-2	31353-0451-2	31353-0451-2
18	1	Valve body, lower, 2 ports ISO ...	31353-0375-1	31353-0376-1	31353-0380-1	31353-0381-1		31353-0026-1
	1	Valve body, lower, 2 ports DN ....	9612-0940-01	9612-0941-01	9612-0942-01		9612-0943-01	9612-0944-01
18	1	Valve body, lower, 3 ports ISO ...	31353-0375-6	31353-0376-6	31353-0380-6	31353-0381-6		31353-0026-6
	1	Valve body, lower, 3 ports DN ....	9612-0940-02	9612-0941-02	9612-0942-02		9612-0943-02	9612-0944-02
<b>Valve Plug</b>								
20	1	Plug, double, complete EPDM .....	31353-0335-1	31353-0336-1	31353-0337-1	31353-0338-1	31353-0338-4	31353-0339-1
	1	(standard)						
	1	Plug, double, complete NBR .....	31353-0335-2	31353-0336-2	31353-0337-2	31353-0338-2	31353-0338-5	31353-0339-2
	1	Plug, double, complete FPM .....	31353-0335-3	31353-0336-3	31353-0337-3	31353-0338-3	31353-0338-6	31353-0339-3
b	1	Stern .....	31353-0349-1	31353-0349-2	31353-0349-3	31353-0350-1	31353-0350-3	31353-0350-2
cΔ●	1	Seal ring, upper, EPDM .....	31353-0321-1	31353-0321-1	31353-0323-1	31353-0324-1	31353-0324-1	31353-0325-1
	1	(standard)						
	1	Seal ring, upper, NBR .....	31353-0321-2	31353-0321-2	31353-0323-2	31353-0324-2	31353-0324-2	31353-0325-2
	1	Seal ring, upper, FPM .....	31353-0321-3	31353-0321-3	31353-0323-3	31353-0324-3	31353-0324-3	31353-0325-3
	1	Packing upper, PTFE .....	31353-1212-1	31353-1212-1	31353-1216-1	31353-1214-1	31353-1214-1	31353-12151
d	1	Middle piece .....	31353-0363-1	31353-0364-1	31353-0365-1	31353-0366-1	9612-0984-01	31353-0367-1
eΔ●	1	Seal ring, lower, EPDM .....	31353-0320-1	31353-0321-1	31353-0322-1	31353-0324-1	9612-0950-01	31353-0325-1
	1	(standard)						
	1	Seal ring, lower, NBR .....	31353-0320-2	31353-0321-2	31353-0322-2	31353-0324-2	9612-0950-02	31353-0325-2
	1	Seal ring, lower, FPM .....	31353-0320-3	31353-0321-3	31353-0322-3	31353-0324-3	9612-0950-03	31353-0325-3
	1	Packing, PTFE .....	31353-1211-1	31353-1212-1	31353-1213-1	31353-1214-1	31353-1225-1	31353-1215-1
f	1	Washer .....	31353-0357-1	31353-0358-1	31353-0359-1	31353-0360-1	31353-0360-2	31353-0361-1

# Sanitary Remote-Controlled Valve Change-over Valve - 25 mm/DN25 - Type SRC

(Same drawing as on page 14)

16





# Sanitary Remote-Controlled Valve Change-over Valve - 25 mm/DN25 - Type SRC

Qty	Denomination	DN40 38 mm	DN50 51 mm	DN65 63.5 mm	76 mm	DN80	DN100 Pos. 101.6 mm
g	1 O-ring, EPDM (standard) .....	990034-01	990034-01	990034-01	990034-01	990034-01	990034-01
1	O-ring, NBR .....	223404-21	223404-21	223404-21	223404-21	223404-21	223404-21
1	O-ring, FPM .....	223404-35	223404-35	223404-35	223404-35	223404-35	223404-35
1	Seal-ring PTFE .....	9612-4330-01	9612-4330-01	9612-4330-01	9612-4330-01	9612-4330-01	9612-4330-01
h	1 Screw .....	31353-0362-1	31353-0362-1	31353-0362-1	31353-0362-1	31353-0362-1	31353-0362-1
<b>Valve Body with 0.8 RA finish inside</b>							
16	1 Valve body, upper, 1 port ISO .....	31353-0053-2	31353-0054-2	31353-0055-2	31353-0056-2		31353-0058-2
1	Valve body, upper, 1 port DN .....	9612-0945-03	9612-0946-03	9612-0947-03		9612-0948-03	9612-0949-03
16	1 Valve body, upper, 2 ports ISO ...	31353-0053-3	31353-0054-3	31353-0055-3	31353-0056-3		31353-0058-3
1	Valve body, upper, 2 ports DN ....	9612-0945-04	9612-0946-04	9612-0947-04		9612-0948-04	9612-0949-04
18	1 Valve body, lower, 2 ports ISO ...	31353-0375-2	31353-0376-2	31353-0380-2	31353-0381-2		31353-0026-2
1	Valve body, lower, 2 ports DN ....	9612-0940-03	9612-0941-03	9612-0942-03		9612-0943-03	9612-0944-03
18	1 Valve body, lower, 3 ports ISO ...	31353-0375-3	31353-0376-3	31353-0380-3	31353-0381-3		31353-0026-3
1	Valve body, lower, 3 ports DN ....	9612-0940-04	9612-0941-04	9612-0942-04		9612-0943-04	9612-0944-04
<b>Valve Plug with 0.8 RA finish</b>							
20	1 Plug, double, complete EPDM .....	31353-1095-1	31353-1096-1	31353-1097-1	31353-1098-1	31353-1098-4	31353-1099-1
	(standard)						
1	Plug, double, complete NBR .....	31353-1095-2	31353-1096-2	31353-1097-2	31353-1098-2	31353-1098-5	31353-1099-2
1	Plug, double, complete FPM .....	31353-1095-3	31353-1096-3	31353-1097-3	31353-1098-3	31353-1098-6	31353-1099-3
b	1 Stem .....	31353-1008-1	31353-1008-2	31353-1008-3	31353-1008-4	31353-1008-8	31353-1008-5
d	1 Middle piece .....	31353-1009-1	31353-1009-2	31353-1009-3	31353-1009-4	9612-1009-06	31353-1009-5
f	1 Washer .....	31353-1010-1	31353-1010-2	31353-1010-3	31353-1010-4	31353-1010-6	31353-1010-5
h	1 Screw .....	31353-1011-1	31353-1011-1	31353-1011-1	31353-1011-1	31353-1011-1	31353-1011-1
Δ	<b>Service kit EPDM .....</b>	<b>9611-92-0025</b>	<b>9611-92-0028</b>	<b>9611-92-0031</b>	<b>9611-92-0034</b>	<b>9611-92-0108</b>	<b>9611-92-0037</b>
Δ	<b>Service kit NBR .....</b>	<b>9611-92-0026</b>	<b>9611-92-0029</b>	<b>9611-92-0032</b>	<b>9611-92-0035</b>	<b>9611-92-0109</b>	<b>9611-92-0038</b>
Δ	<b>Service kit FPM .....</b>	<b>9611-92-0027</b>	<b>9611-92-0030</b>	<b>9611-92-0033</b>	<b>9611-92-0036</b>	<b>9611-92-0110</b>	<b>9611-92-0039</b>

Parts marked with Δ are included in the service kits.

## Alternatives

### Stem seal

14	1 Lip seal kit, EPDM (standard) .....	9611-92-0078	9611-92-0078	9611-92-0078	9611-92-0142	9611-92-0142	9611-92-0142
1	Lip seal kit, NBR .....	9611-92-0079	9611-92-0079	9611-92-0079	9611-92-0143	9611-92-0143	9611-92-0143
1	Lip seal kit, FPM .....	9611-92-0080	9611-92-0080	9611-92-0080	9611-92-0144	9611-92-0144	9611-92-0144
a	1 Lip seal, EPDM .....	9612-2806-01	9612-2806-01	9612-2806-01	9612-3088-01	9612-3088-01	9612-3088-01
1	Lip seal, NBR .....	9612-2806-02	9612-2806-02	9612-2806-02	9612-3088-02	9612-3088-02	9612-3088-02
1	Lip seal, FPM .....	9612-2806-03	9612-2806-03	9612-2806-03	9612-3088-03	9612-3088-03	9612-3088-03
b	1 Plate .....	9612-2805-01	9612-2805-01	9612-2805-01	9612-3087-01	9612-3087-01	9612-3087-01
c	1 Seal ring, EPDM .....	31353-0128-1	31353-0128-1	31353-0128-1	31353-0205-1	31353-0205-1	31353-0205-1
1	Seal ring, NBR .....	31353-0128-2	31353-0128-2	31353-0128-2	31353-0205-2	31353-0205-2	31353-0205-2
1	Seal ring, FPM .....	31353-0128-3	31353-0128-3	31353-0128-3	31353-0205-3	31353-0205-3	31353-0205-3

### Stem seal

14d	1 Washer .....	31353-0452-1	31353-0452-1	31353-0452-1	31353-0452-2	31353-0452-2	31353-0452-2
e	1 O-ring FEP/Silicone .....	9611-99-2909	9611-99-2909	9611-99-2909	9611-99-2910	9611-99-2910	9611-99-2910
f	1 Holder .....	31353-0453-1	31353-0453-1	31353-0453-1	31353-0454-1	31353-0454-1	31353-0454-1
g	1 Valve body packing .....	31353-0451-1	31353-0451-1	31353-0451-1	31353-0451-2	31353-0451-2	31353-0451-2

### Service kits special lip seals (marked ●)

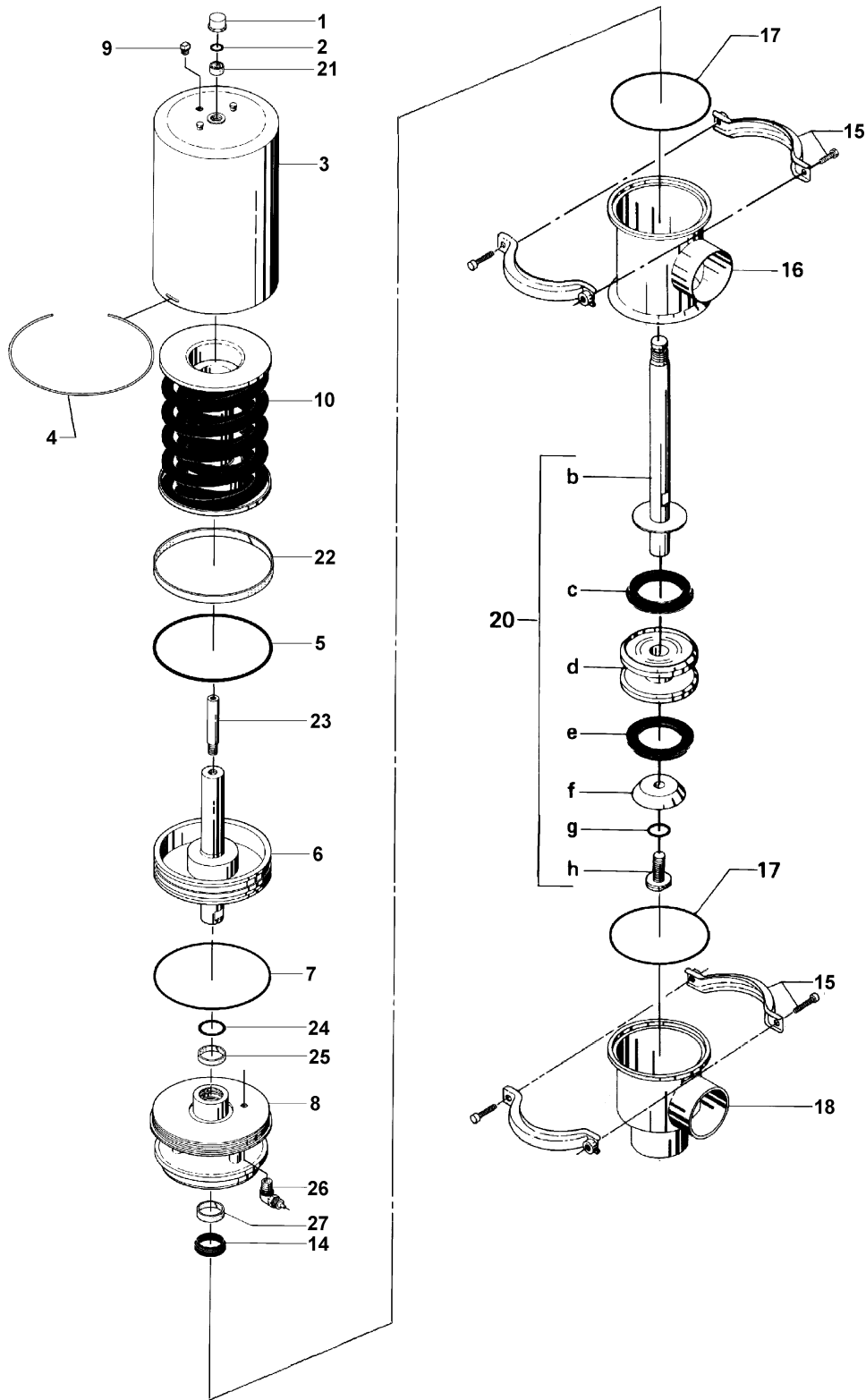
●	<b>Service kit EPDM .....</b>	<b>9611-92-0471</b>	<b>9611-92-0475</b>	<b>9611-92-0479</b>	<b>9611-92-0483</b>	<b>9611-92-0487</b>	<b>9611-92-0491</b>
●	<b>Service kit NBR .....</b>	<b>9611-92-0472</b>	<b>9611-92-0476</b>	<b>9611-92-0480</b>	<b>9611-92-0484</b>	<b>9611-92-0488</b>	<b>9611-92-0492</b>
●	<b>Service kit FPM .....</b>	<b>9611-92-0473</b>	<b>9611-92-0477</b>	<b>9611-92-0481</b>	<b>9611-92-0485</b>	<b>9611-92-0489</b>	<b>9611-92-0493</b>
●	<b>Service kit FEP .....</b>	<b>9611-92-0474</b>	<b>9611-92-0478</b>	<b>9611-92-0482</b>	<b>9611-92-0486</b>	<b>9611-92-0490</b>	<b>9611-92-0494</b>

Recommended spare parts: Service kits.

900-092/1

# Sanitary Remote-Controlled Valve Change-over Valve - DN125-150 - Type SRC

18



# Sanitary Remote-Controlled Valve Change-over Valve - DN125-150 - Type SRC

## Actuator

Pos.	Qty.	Denomination	NC	NO
		Actuator, complete .....	9612-4657-01	9612-4657-02
1	1	Cap .....	9611-99-3060	9611-99-3060
2●	1	O-ring .....	9611-99-3006	9611-99-3006
3	1	Cylinder .....	9612-4655-01	9612-4655-01
4●	1	Lock wire .....	9612-3805-01	9612-3805-01
5●	1	O-ring .....	9611-99-3008	9611-99-3008
6	1	Piston .....	9612-4411-01	9612-4411-02
7●	1	O-ring .....	9611-99-2892	9611-99-2892
8	1	Bonnet .....	9612-5080-01	9612-5080-01
9	1	Plug .....	31353-0154-1	31353-0154-1
10	1	Spring packet .....	9612-4413-01	9612-4413-01
21●	1	Guide ring .....	9612-2926-16	9612-2926-16
22●	1	Guide ring .....	9612-2926-23	9612-2926-23
23	1	Top pin .....	9612-4408-01	9612-4408-01
24●	1	O-ring .....	9611-99-3012	9611-99-3012
26	1	Air fitting .....	9611-99-1988	9611-99-1988
25●	1	Guide ring .....	9612-2926-20	9612-2926-20
27●	1	Guide ring .....	9612-2926-21	9612-2926-21
●		<b>Service kit EPDM .....</b>	<b>9611-92-0296</b>	<b>9611-92-0296</b>

Parts marked with ● are included in the **service kit**.

## Valve Body Part

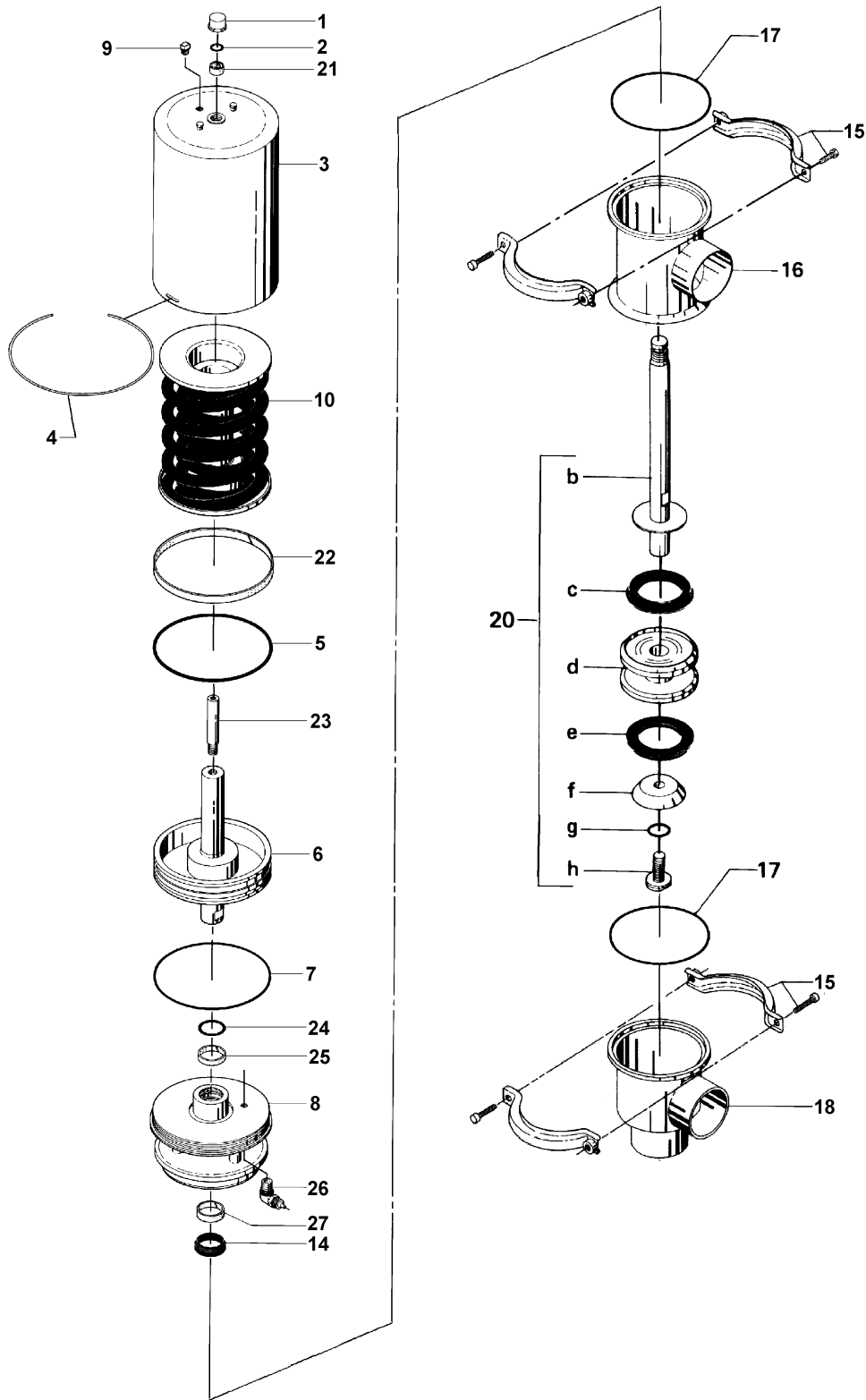
Pos.	Qty.	Denomination	DN 125	DN 150
14●△	1	Lip seal, EPDM (standard) .....	9612-3204-07	9612-3204-07
	1	Lip seal, NBR .....	9612-3204-08	9612-3204-08
	1	Lip seal, FPM .....	9612-3204-09	9612-3204-09
<b>Clamp</b>				
15	2	Clamp complete .....	9611-31-105-8	9611-31-105-8
<b>Valve Body</b>				
16	1	Valve body, upper, 1 port DIN .....	9612-4578-01	9612-4579-01
	1	Valve body, upper, 2 ports DIN .....	9612-4578-02	9612-4579-02
17△	2	Valve body seal ring, EPDM (standard) ....	9611-99-2937	9611-99-2937
	2	Valve body seal ring, NBR .....	9611-99-2938	9611-99-2938
	2	Valve body seal ring, FPM .....	9611-99-2939	9611-99-2939
18	1	Valve body, lower, 2 ports DIN .....	9612-4405-01	9612-4406-01
	1	Valve body, lower, 3 ports DIN .....	9612-4405-02	9612-4406-02

Recommended spare parts: **Service kits**.

# Sanitary Remote-Controlled Valve Change-over Valve - DN125-150 - Type SRC

(Same drawing as on page 18)

20



# Sanitary Remote-Controlled Valve Change-over Valve - DN125-150 - Type SRC

## Valve Plug

Pos.	Qty.	Denomination	DN 125	DN 150
20	1	Plug,double,complete, EPDM (standard) .....	9612-4566-01	9612-4566-04
	1	Plug,double,complete, NBR .....	9612-4566-02	9612-4566-05
	1	Plug,double,complete, FPM .....	9612-4566-03	9612-4566-06
b	1	Stem .....	9612-4565-01	9612-4565-02
cΔ	1	Seal ring, EPDM (standard) .....	9612-4385-01	9612-4385-01
	1	Seal ring, NBR .....	9612-4385-02	9612-4385-02
	1	Seal ring, FPM .....	9612-4385-03	9612-4385-03
d	1	Middle piece .....	9612-4563-01	9612-4563-02
eΔ	1	Seal ring, EPDM (standard) .....	9612-4385-01	9612-4385-01
	1	Seal ring, NBR .....	9612-4385-02	9612-4385-02
	1	Seal ring, FPM .....	9612-4385-03	9612-4385-03
f	1	Washer .....	9612-4384-01	9612-4384-01
gΔ	1	O-ring, EPDM (standard) .....	9611-99-2674	9611-99-2674
	1	O-ring, NBR .....	9611-99-2675	9611-99-2675
	1	O-ring, FPM .....	9611-99-2676	9611-99-2676
h	1	Screw .....	9612-4387-01	9612-4387-01

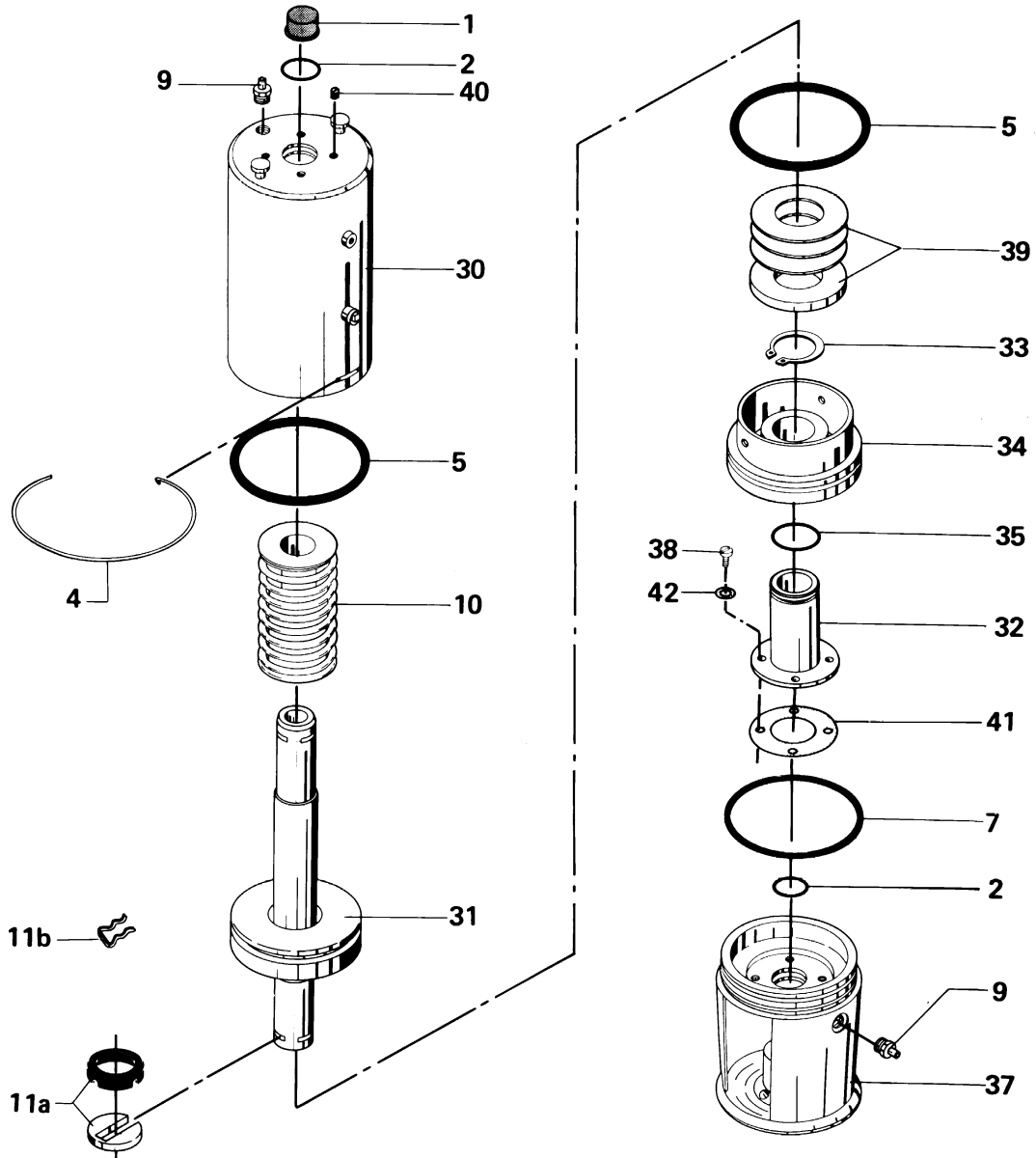
## Surface roughness, product wetted parts: Ra ≤ 0.8 μm

Pos.	Qty.	Denomination	DN 125	DN 150
<b>Valve Body</b>				
16	1	Valve body, upper, 1 port DIN .....	9612-4578-01	9612-4579-01
	1	Valve body, upper, 2 ports DIN .....	9612-4578-02	9612-4579-02
18	1	Valve body, lower, 2 ports DIN .....	9612-4405-03	9612-4406-03
	1	Valve body, lower, 3 ports DIN .....	9612-4405-04	9612-4406-04
<b>Valve Plug</b>				
20	1	Plug,double,complete, EPDM (standard) .....	9612-4566-07	9612-4566-10
	1	Plug,double,complete, NBR .....	9612-4566-08	9612-4566-11
	1	Plug,double,complete, FPM .....	9612-4566-09	9612-4566-12
b	1	Stem .....	31353-1008-6	31353-1008-7
d	1	Middle piece .....	9612-4563-03	9612-4563-04
f	1	Washer .....	9612-4384-02	9612-4384-02
h	1	Screw .....	9612-4387-02	9612-4387-02
Δ		<b>Service kit EPDM .....</b>	<b>9611-92-0358</b>	<b>9611-92-0358</b>
Δ		<b>Service kit NBR .....</b>	<b>9611-92-0359</b>	<b>9611-92-0359</b>
Δ		<b>Service kit FPM .....</b>	<b>9611-92-0360</b>	<b>9611-92-0360</b>

Parts marked with Δ are included in the **service kits**

# Sanitary Remote Controlled Valve Three Position and Two-step Valve - Type SRC

22



# Sanitary Remote Controlled Valve Three Position and Two-step Valve - Type SRC

Valve body parts: See parts list for standard valve

Pos.	Qty	Denomination	38 - 63.5 mm	76 - 101.6 mm
		Actuator -6, complete .....	31353-0447-1	31353-0448-1
		Actuator -7, complete .....	31353-0447-2	31353-0448-2
		Actuator -8 (TS), complete .....	31353-0490-1	31353-0490-2
1	1	Cap .....	31801-0525-6	31801-0525-5
2Δ	2	O-ring .....	223406-25	223406-49
4Δ	1	Lock Wire .....	31353-0151-1	31353-0189-1
5Δ	2	O-ring .....	223401-74	223401-75
7Δ	1	O-ring .....	9611-99-0396	223406-17
9	2	Plug .....	31353-0154-1	31353-0154-1
10a	1	Spring assembly (std. black) .....	31353-0625-1	31353-0622-1
10b	1	Spring assembly with extra strong spring (white) .....	31353-0625-2	31353-0622-2
11aΔ	1	Clip, complete (period 84.08 - ) .....	31353-0793-1	31353-0793-2
11b	1	Clip, (period 68.02 - 84.07) .....	31353-0130-1	31353-0130-1
30	1	Cylinder .....	31353-0429-1	31353-0430-1
31	1	Piston .....	31353-0621-3	31353-0619-3
32	1	Guide .....	31353-0431-1	31353-0432-1
33Δ	1	Lock ring .....	519975-08	519975-09
34	1	Piston for intermediate position .....	31353-0425-3	31353-0426-3
		(in connection with the welded piston) (Period 83.03 -)		
	1	Piston for intermediate position .....	31353-0425-1	31353-0426-1
		(in connection with piston for seeger-ring) (Period -83.03)		
35Δ	1	O-ring .....	223406-87	223406-58
37	1	Bonnet .....	31353-0423-1	31353-0424-1
	1	Bonnet aseptc version .....	31353-0423-2	31353-0424-2
38	3-4*	Screw .....	221131-03	221136-02
39	1	Spacer ring for TS (6 mm) .....	31353-0488-1	
	1	Spacer ring for TS (7 mm) .....	31353-0489-1	
	3-4*	Spacer ring for TS (1,5 mm) .....	31353-0488-2	31353-0489-2
40	3-4*	Plastic screw .....	9611-99-1372	9611-99-1371
41Δ	1	Packing .....	9612-3559-01	9612-3560-01
42Δ	3-4*	Fibre washer .....	9611-99-2687	9611-99-2688

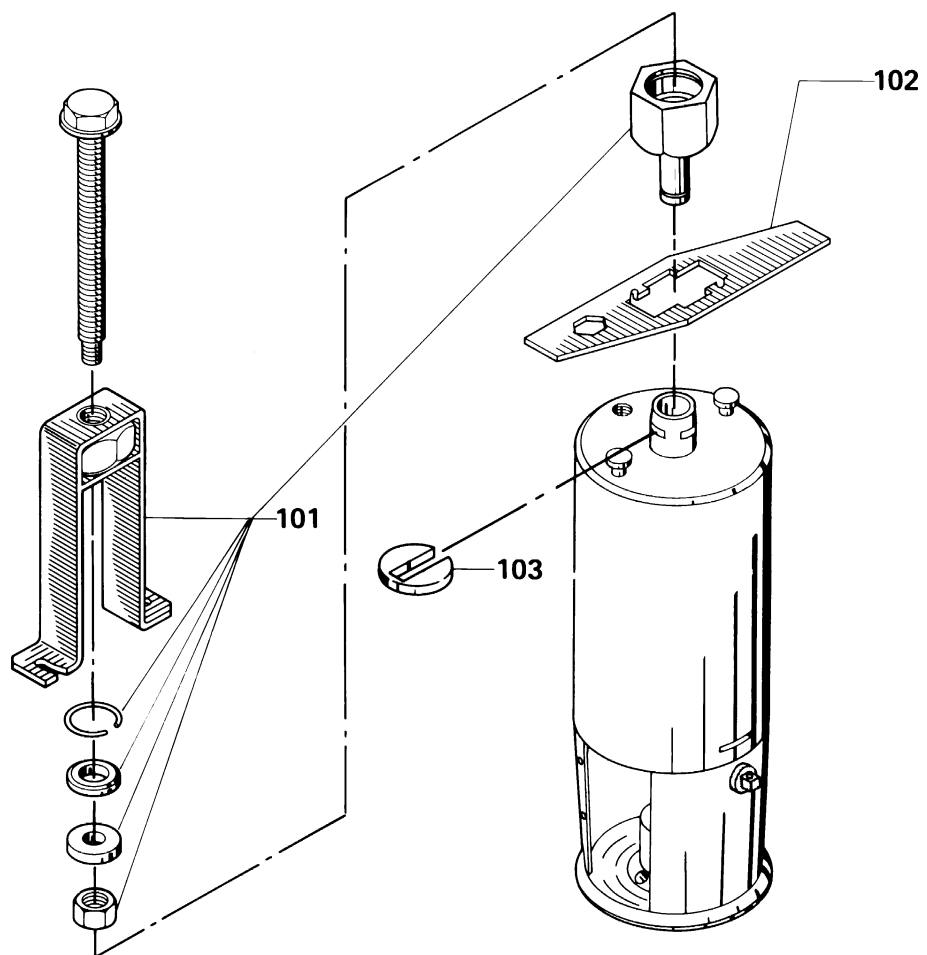
\* .Quantity 4 is valid for 76-101,6 mm

Δ Service kit ..... 9611-92-0111 9611-92-0112

Parts marked with Δ are included in the service kits

Tool for Valve  
Type SRC/ARC/SRC-LS

24



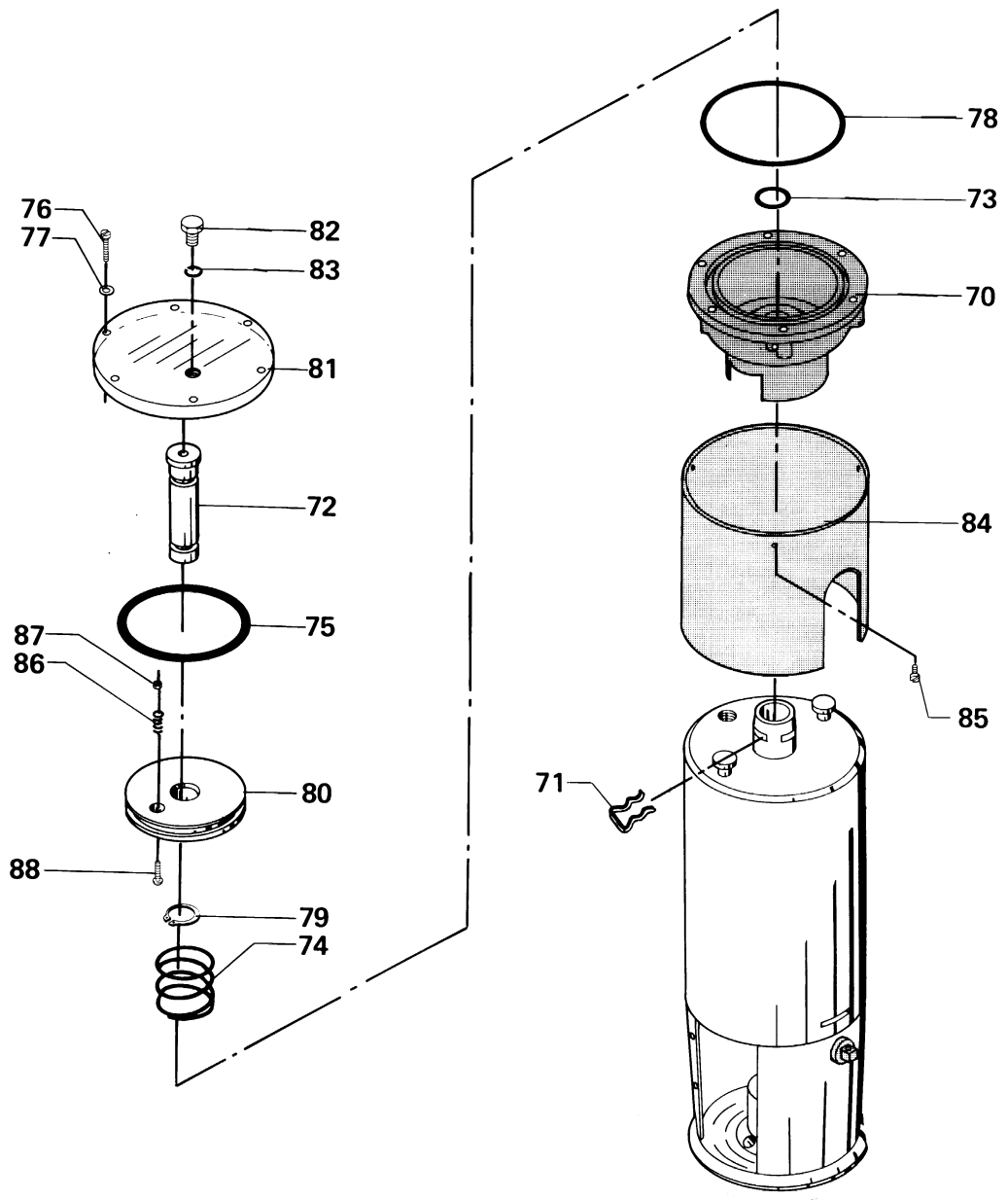


**Tool for Valve**  
**Type SRC/ARC/SRC-LS**

<b>Pos.</b>	<b>Qty</b>	<b>Denomination</b>
101	1	Lifting tool complete, SRC ..... 31353-0800-1
102	1	Turning tool ..... 31353-0219-1
103	1	Clip ..... 31353-0730-1

# Damper for Valve Type SRC

26



## Damper for Valve Type SRC

Pos.	Qty	Denomination	31353-0395-2	31353-0395-3
			38 - 63.5 mm	76 - 101.6 mm
70	1	Housing .....	31353-0396-1	31353-0396-1
71	1	Clip .....	31353-0130-1	31353-0130-1
72	1	Piston rod .....	31353-0397-1	31353-0397-1
73	1	O-ring, NBR .....	223404-33	223404-33
74	1	Spring .....	31353-0399-1	31353-0399-1
75	1	O-ring, NBR .....	42153	42153
76	6	Screw .....	221121-15	221121-15
77	6	Washer .....	223101-30	223101-30
78	1	O-ring, NBR .....	223406-76	223406-76
79	1	Lock ring .....	223641-12	223641-12
80	1	Piston .....	31353-0398-1	31353-0398-1
81	1	Cover .....	31353-0400-1	31353-0400-1
82	1	Plug .....	75367	75367
83	1	O-ring .....	223403-26	223403-26
84	1	Protective hood .....	31353-0401-1	31353-0402-1
85	3	Screw .....	221121-48	221121-48
86	1	Spring .....	31353-0403-1	31353-0403-1
87	1	Nut .....	9611-99-2639	9611-99-2639
88	1	Screw .....	2214102-06	2214102-06

*The information contained herein is correct at the time of issue but may be subject to change without prior notice.*