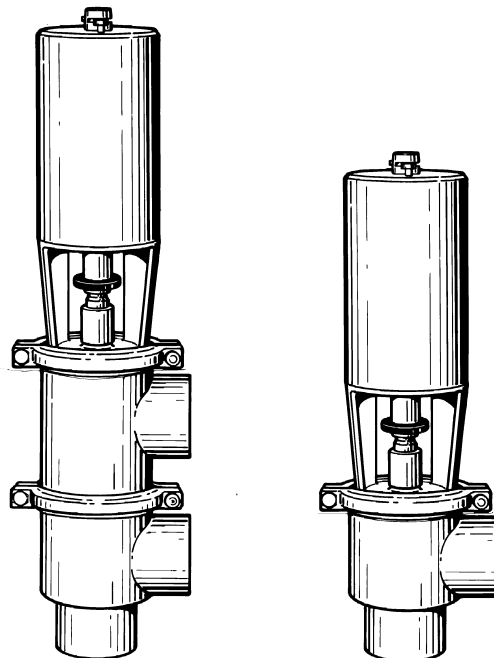


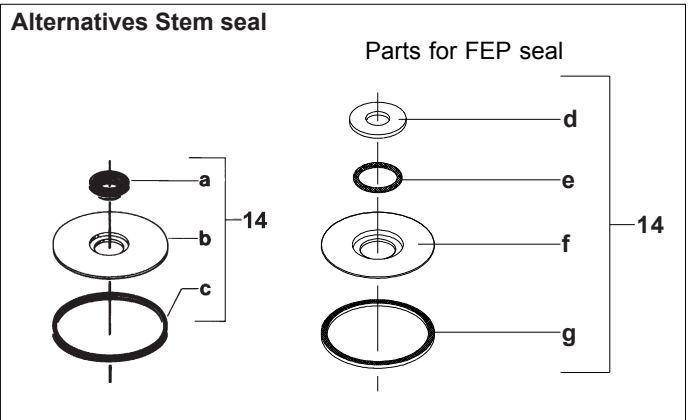
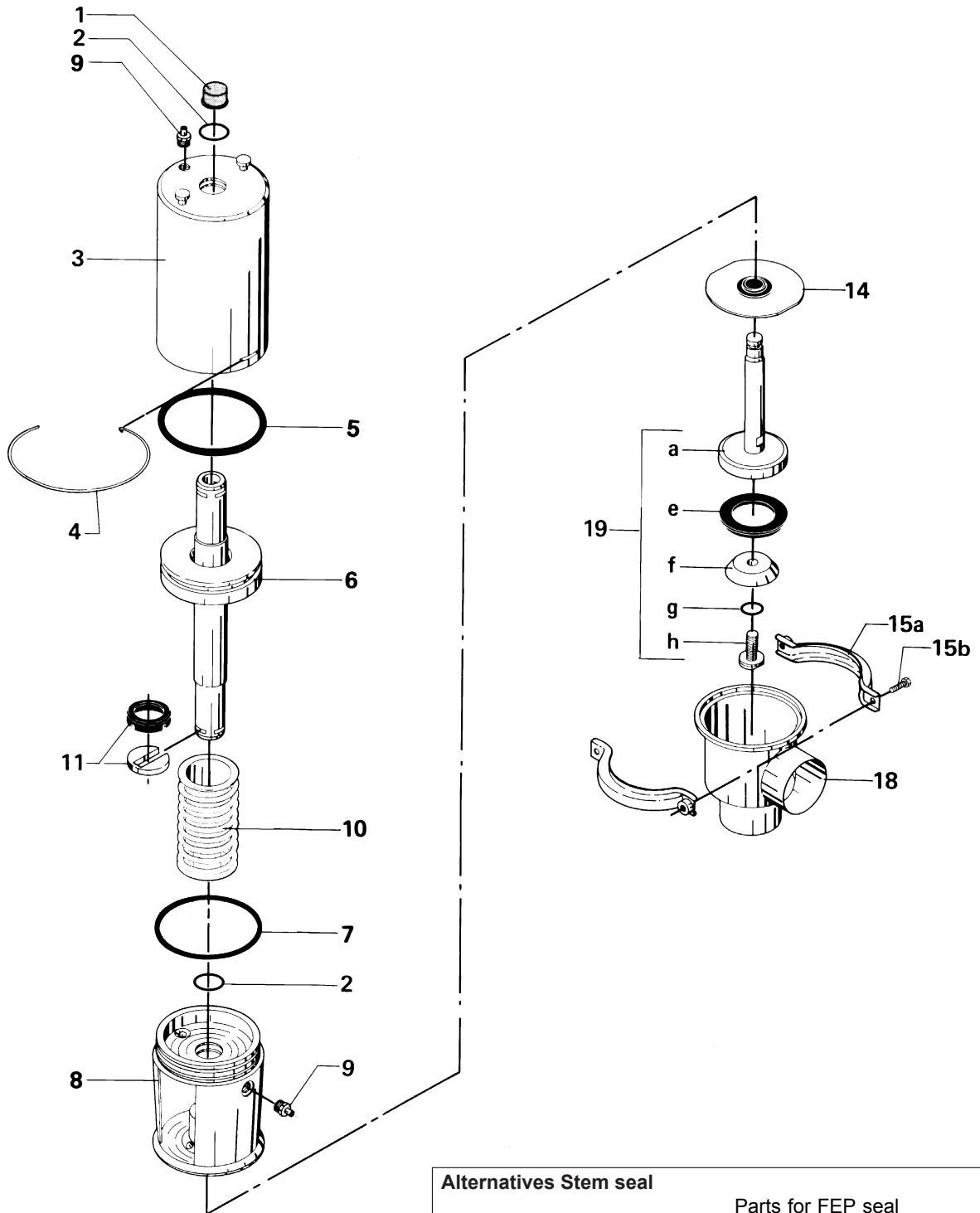
Spare Parts

**SRC-LS Sanitary Remote-Controlled
Long-stroke Valve**



Sanitary Remote Controlled Valve Type SRC-LS - Stop Valve

2



Sanitary Remote Controlled Valve Type SRC-LS - Stop Valve

ACTUATOR

Pos.	Qty	Denomination	DN50 51 mm	DN65 63.5 mm	76 mm	DN80	DN100 101.6 mm
		Actuator -1, complete	9612-1260-02	9612-1261-02	9612-1262-02	9612-1262-02	9612-1262-02
		Actuator -2, complete	9612-1260-04	9612-1261-04	9612-1262-04	9612-1262-04	9612-1262-04
		Actuator -3, complete	9612-1260-06	9612-1261-06	9612-1262-06	9612-1262-06	9612-1262-06
1	1	Cap	31801-0525-6	31801-0525-5	31801-0525-5	31801-0525-5	31801-0525-5
2Δ	2	O-ring	223406-25	223406-49	223406-49	223406-49	223406-49
3	1	Cylinder	9612-1219-02	9612-1225-02	9612-1225-02	9612-1225-02	9612-1225-02
4Δ	1	Lock wire	31353-0151-1	31353-0189-1	31353-0189-1	31353-0189-1	31353-0189-1
5Δ	1	O-ring	223401-74	223401-75	223401-75	223401-75	223401-75
6	1	Piston	9612-1239-01	9612-1230-01	9612-1230-01	9612-1230-01	9612-1230-01
7Δ	1	O-ring	9611-99-0396	223406-17	223406-17	223406-17	223406-17
8	1	Bonnet	9612-1238-02	9612-1237-02	9612-1221-02	9612-1221-02	9612-1221-02
9*	2	Plug	31353-0154-1	31353-0154-1	31353-0154-1	31353-0154-1	31353-0154-1
10*	1	Spring assembly	9612-1246-01	9612-1229-01	9612-1229-01	9612-1229-01	9612-1229-01
11Δ	1	Clip, compl	31353-0793-1	31353-0793-2	31353-0793-2	31353-0793-2	31353-0793-2
Δ		Service kit	9611-92-0008	9611-92-0009	9611-92-0009	9611-92-0009	9611-92-0009

* Only for actuator -1 and -2.

Valve Body Part

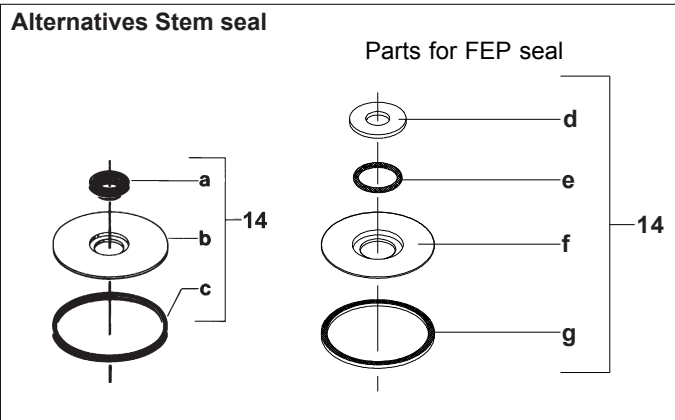
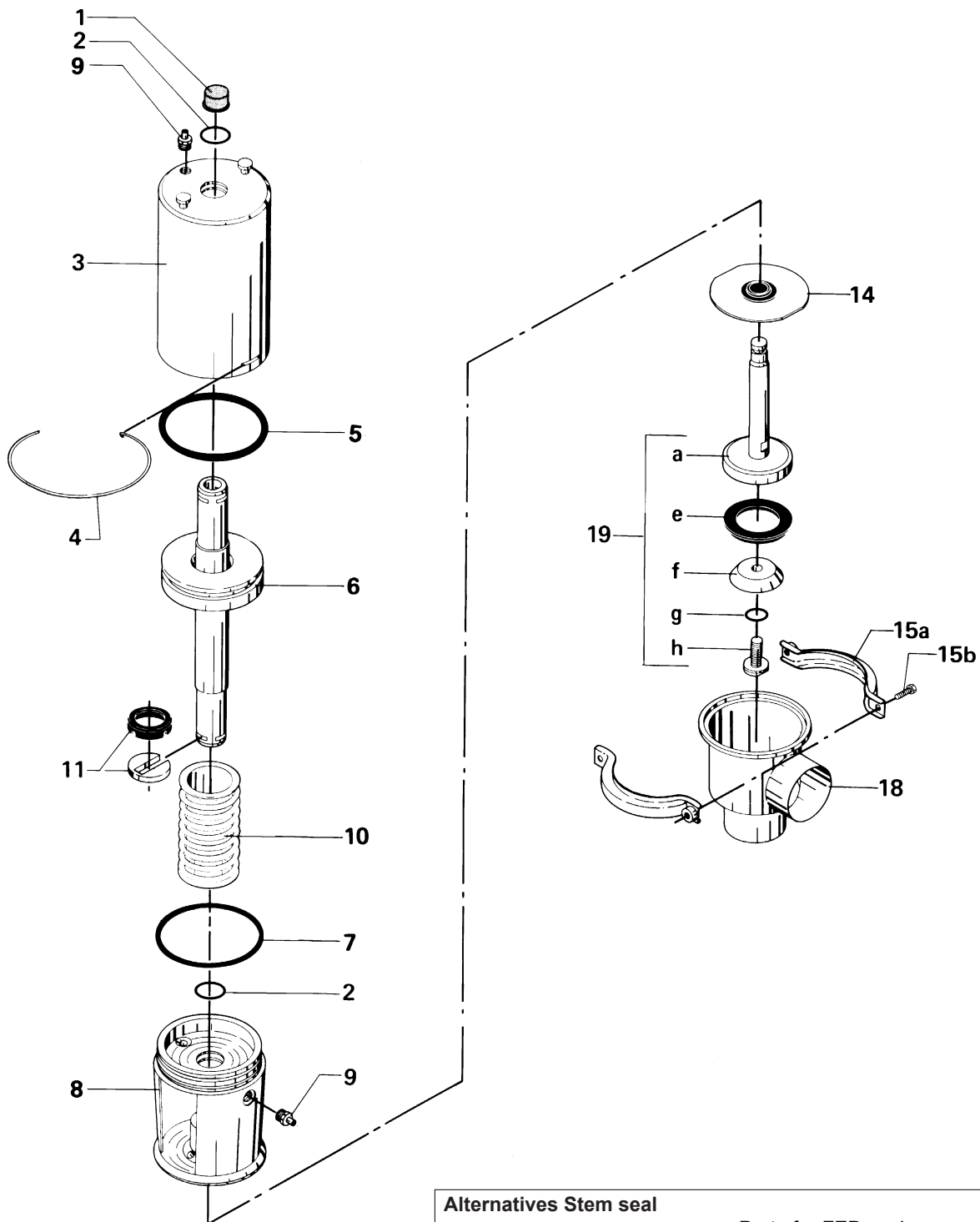
Pos.	Qty	Denomination	DN50 51 mm	DN65 63.5 mm	76 mm	DN80	DN100 101.6 mm
Stem Seal							
14Δ	1	Lip seal, EPDM(standard)	31353-0155-1	31353-0155-1	31353-0188-1	31353-0188-1	31353-0188-1
	1	Lip seal, NBR	31353-0155-2	31353-0155-2	31353-0188-2	31353-0188-2	31353-0188-2
	1	Lip seal, FPM	31353-0155-3	31353-0155-3	31353-0188-3	31353-0188-3	31353-0188-3
Clamp							
15a+b	1	Clamps and screws (Period 9209-) ...	31320-0027-1	31320-0027-1	31320-0027-2	31320-0027-2	31320-0027-2
15a	2	Clamp half (Period -9209)	31320-0022-1	31320-0022-1	31320-0021-1	31320-0021-1	31320-0021-1
15b	2	Screw (Period -9209)	2210936-18	2210936-18	2210936-18	2210936-18	2210936-18
Valve Body							
18	1	Valve body, 2 ports ISO	31353-0376-1	31353-0380-1	31353-0381-1		31353-0026-1
	1	Valve body, 2 ports DN	9612-0941-01	9612-0942-01		9612-0943-01	9612-0944-01
18	1	Valve body, 3 ports ISO	31353-0376-6	31353-0380-6	31353-0381-6		31353-0026-6
	1	Valve body, 3 ports DN	9612-0941-02	9612-0942-02		9612-0943-02	9612-0944-02
Valve Plug							
19	1	Plug, single, complete EPDM(standard)	9612-1255-02	9612-1254-02	9612-1253-02	9612-1253-07	9612-1252-02
	1	Plug, single, complete NBR	9612-1255-04	9612-1254-04	9612-1253-04	9612-1253-08	9612-1252-04
	1	Plug, single, complete FPM	9612-1255-06	9612-1254-06	9612-1253-06	9612-1253-09	9612-1252-06
a	1	Stem	9612-1259-02	9612-1258-02	9612-1257-02	9612-1257-03	9612-1256-02
eΔ●	1	Seal ring, EPDM (standard)	31353-0321-1	31353-0322-1	31353-0324-1	9612-0950-01	31353-0325-1
	1	Seal ring, NBR	31353-0321-2	31353-0322-2	31353-0324-2	9612-0950-02	31353-0325-2
	1	Seal ring, FPM	31353-0321-3	31353-0322-3	31353-0324-3	9612-0950-03	31353-0325-3
	1	Packing, PTFE	31353-1212-1	31353-1213-1	31353-1214-1	31353-1225-1	31353-1215-1
f	1	Washer	31353-0358-1	31353-0359-1	31353-0360-1	31353-0360-2	31353-0361-1
gΔ●	1	O-ring, EPDM (standard)	990034-01	990034-01	990034-01	990034-01	990034-01
	1	O-ring, NBR	223404-21	223404-21	223404-21	223404-21	223404-21
	1	O-ring, FPM	223404-35	223404-35	223404-35	223404-35	223404-35
	1	Seal-ring, PTFE	9612-4330-01	9612-4330-01	9612-4330-01	9612-4330-01	9612-4330-01
h	1	Screw	31353-0362-1	31353-0362-1	31353-0362-1	31353-0362-1	31353-0362-1
Δ		Service kit EPDM	9611-92-0013	9611-92-0016	9611-92-0019	9611-92-0105	9611-92-0022
Δ		Service kit NBR	9611-92-0014	9611-92-0017	9611-92-0020	9611-92-0106	9611-92-0023
Δ		Service kit FPM	9611-92-0015	9611-92-0018	9611-92-0021	9611-92-0107	9611-92-0024

Parts marked with Δ are included in the service kits

Sanitary Remote Controlled Valve Type SRC-LS - Stop Valve

4

(Same drawing as on page 2)

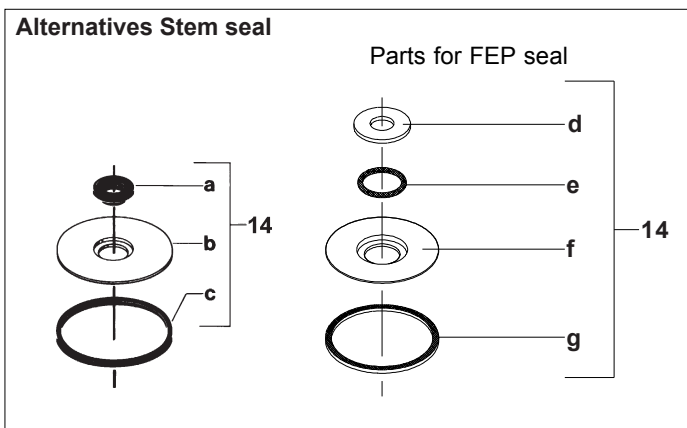
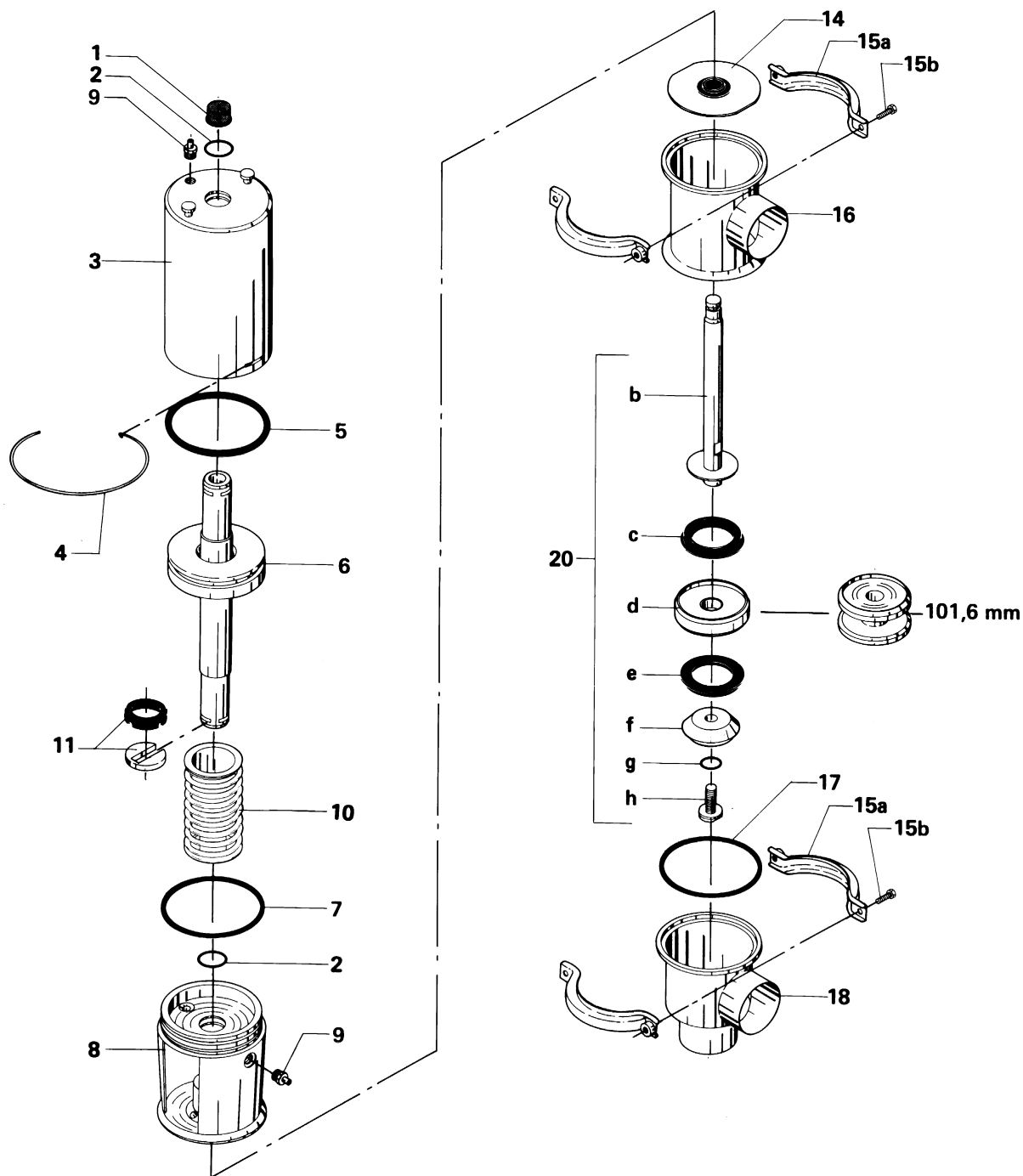


Sanitary Remote Controlled Valve Type SRC-LS - Stop Valve

Pos.	Qty	Denomination	DN50 51 mm	DN65 63.5 mm	76 mm	DN80	DN 100 101.6 mm
Alternatives							
Stem seal							
14	1	Lip seal kit, EPDM (standard)	9611-92-0078	9611-92-0078	9611-92-0142	9611-92-0142	9611-92-0142
	1	Lip seal kit, NBR	9611-92-0079	9611-92-0079	9611-92-0143	9611-92-0143	9611-92-0143
	1	Lip seal kit, FPM	9611-92-0080	9611-92-0080	9611-92-0144	9611-92-0144	9611-92-0144
a●	1	Lip seal, EPDM	9612-2806-01	9612-2806-01	9612-3088-01	9612-3088-01	9612-3088-01
	1	Lip seal, NBR	9612-2806-02	9612-2806-02	9612-3088-02	9612-3088-02	9612-3088-02
	1	Lip seal, FPM	9612-2806-03	9612-2806-03	9612-3088-03	9612-3088-03	9612-3088-03
b	1	Plate	9612-2805-01	9612-2805-01	9612-3087-01	9612-3087-01	9612-3087-01
c●	1	Seal ring, EPDM	31353-0128-1	31353-0128-1	31353-0205-1	31353-0205-1	31353-0205-1
	1	Seal ring, NBR	31353-0128-2	31353-0128-2	31353-0205-2	31353-0205-2	31353-0205-2
	1	Seal ring, FPM	31353-0128-3	31353-0128-3	31353-0205-3	31353-0205-3	31353-0205-3
Stem seal							
14d	1	Washer	31353-0452-1	31353-0452-1	31353-0452-2	31353-0452-2	31353-0452-2
e●	1	O-ring FEP/Silicone	9611-99-2909	9611-99-2909	9611-99-2910	9611-99-2910	9611-99-2910
f	1	Holder	31353-0453-1	31353-0453-1	31353-0454-1	31353-0454-1	31353-0454-1
g●	1	Valve body packing	31353-0451-1	31353-0451-1	31353-0451-2	31353-0451-2	31353-0451-2
Service kits special lip seals (marked ●)							
●		Service kit EPDM	9611-92-0451	9611-92-0455	9611-92-0459	9611-92-0463	9611-92-0467
●		Service kit NBR	9611-92-0452	9611-92-0456	9611-92-0460	9611-92-0464	9611-92-0468
●		Service kit FPM	9611-92-0453	9611-92-0457	9611-92-0461	9611-92-0465	9611-92-0469
●		Service kit FEP	9611-92-0454	9611-92-0458	9611-92-0462	9611-92-0466	9611-92-0470

Sanitary Remote Controlled Valve Type SRC-LS - Change-over Valve

6



Sanitary Remote Controlled Valve Type SRC-LS - Change-over Valve

ACTUATOR

Pos.	Qty	Denomination	DN50 51 mm	DN65 63.5 mm	76 mm	DN80	DN100 101.6 mm
		Actuator -1, complete	9612-1260-02	9612-1261-02	9612-1262-02	9612-1262-02	9612-1262-02
		Actuator -2, complete	9612-1260-04	9612-1261-04	9612-1262-04	9612-1262-04	9612-1262-04
		Actuator -3, complete	9612-1260-06	9612-1261-06	9612-1262-06	9612-1262-06	9612-1262-06
1	1	Cap	31801-0525-6	31801-0525-5	31801-0525-5	31801-0525-5	31801-0525-5
2Δ	2	O-ring	223406-25	223406-49	223406-49	223406-49	223406-49
3	1	Cylinder	9612-1219-02	9612-1225-02	9612-1225-02	9612-1225-02	9612-1225-02
4Δ	1	Lock wire	31353-0151-1	31353-0189-1	31353-0189-1	31353-0189-1	31353-0189-1
5Δ	1	O-ring	223401-74	223401-75	223401-75	223401-75	223401-75
6	1	Piston	9612-1239-01	9612-1230-01	9612-1230-01	9612-1230-01	9612-1230-01
7Δ	1	O-ring	9611-99-0396	223406-17	223406-17	223406-17	223406-17
8	1	Bonnet	9612-1238-02	9612-1237-02	9612-1221-02	9612-1221-02	9612-1221-02
9*	2	Plug	31353-0154-1	31353-0154-1	31353-0154-1	31353-0154-1	31353-0154-1
10*	1	Spring assembly	9612-1246-01	9612-1229-01	9612-1229-01	9612-1229-01	9612-1229-01
11Δ	1	Clip, compl	31353-0793-1	31353-0793-2	31353-0793-2	31353-0793-2	31353-0793-2
Δ		Service kit	9611-92-0008	9611-92-0009	9611-92-0009	9611-92-0009	9611-92-0009

* Only for actuator -1 and -2.

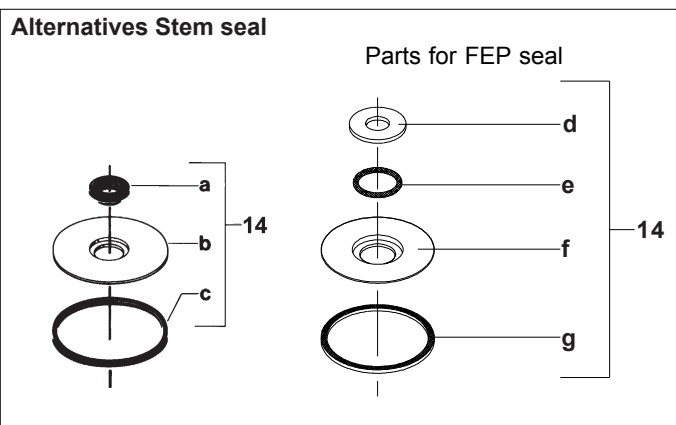
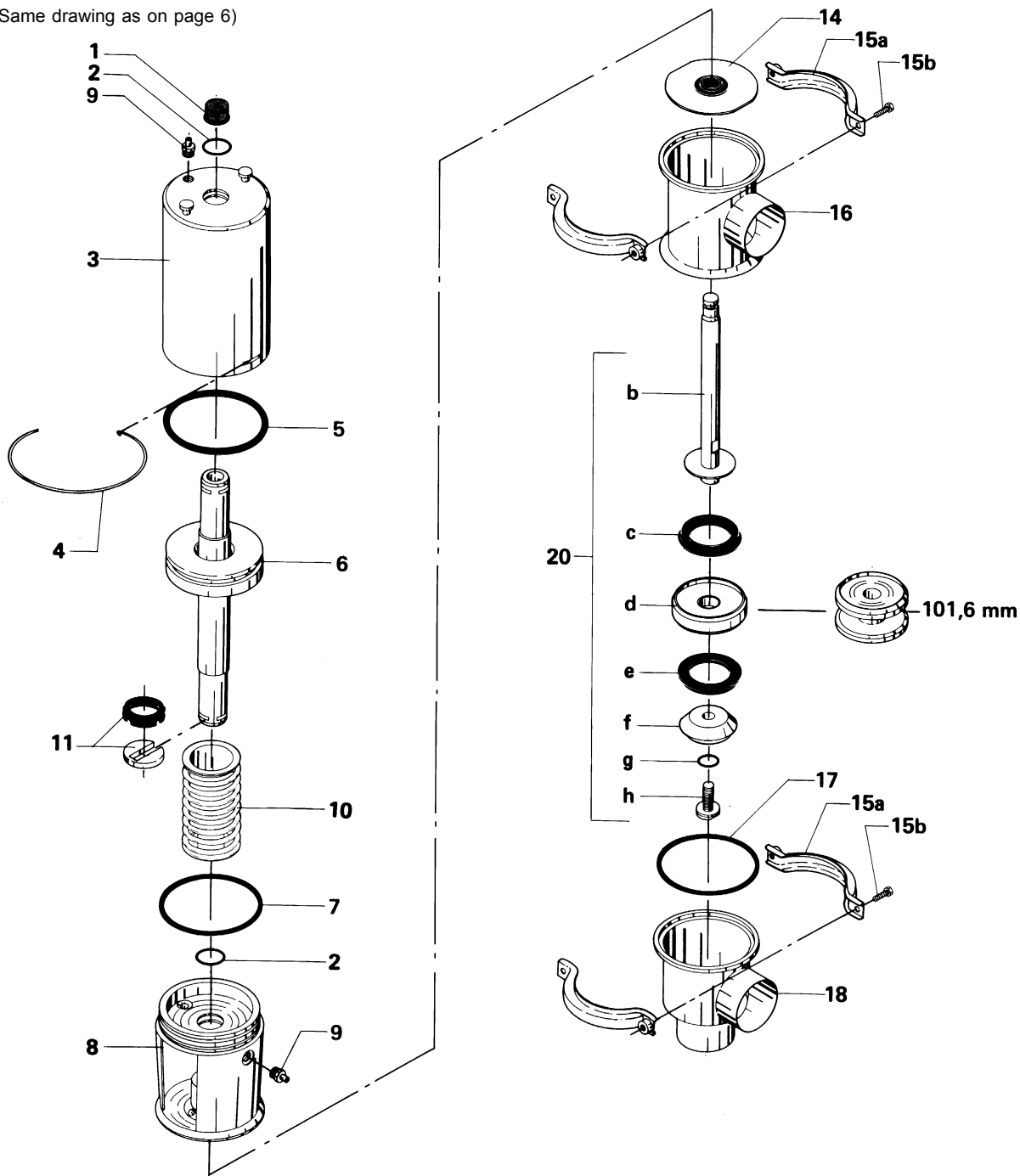
Valve Body Part

Pos.	Qty	Denomination	DN50 51 mm	DN65 63.5 mm	76 mm	DN80	DN100 101.6 mm
Stem Seal							
14Δ	1	Lip seal, EPDM(standard)	31353-0155-1	31353-0155-1	31353-0188-1	31353-0188-1	31353-0188-1
	1	Lip seal, NBR	31353-0155-2	31353-0155-2	31353-0188-2	31353-0188-2	31353-0188-2
	1	Lip seal, FPM	31353-0155-3	31353-0155-3	31353-0188-3	31353-0188-3	31353-0188-3
Clamp							
15a+b	2	Clamps and screws (Period 9209-) ...	31320-0027-1	31320-0027-1	31320-0027-2	31320-0027-2	31320-0027-2
15a	4	Clamp half (Period -9209)	31320-0022-1	31320-0022-1	31320-0021-1	31320-0021-1	31320-0021-1
15b	4	Screw (Period -9209)	2210936-18	2210936-18	2210936-18	2210936-18	2210936-18
Valve Body							
16	1	Valve body, upper, 1 port ISO	31353-0054-1	31353-0055-1	31353-0056-1		31353-0058-1
	1	Valve body, upper, 1 port DN	9612-0946-01	9612-0947-01		9612-0948-01	9612-0949-01
16	1	Valve body, upper, 2 ports ISO	31353-0054-6	31353-0055-6	31353-0056-6		31353-0058-6
	1	Valve body, upper, 2 port DN	9612-0946-02	9612-0947-02		9612-0948-02	9612-0949-02
17Δ●	1	Valve body seal ring, EPDM (standard)	31353-0128-1	31353-0128-1	31353-0205-1	31353-0205-1	31353-0205-1
	1	Valve body seal ring, NBR	31353-0128-2	31353-0128-2	31353-0205-2	31353-0205-2	31353-0205-2
	1	Valve body seal ring, FPM	31353-0128-3	31353-0128-3	31353-0205-3	31353-0205-3	31353-0205-3
	1	Valve body packing, PTFE	31353-0451-1	31353-0451-1	31353-0451-2	31353-0451-2	31353-0451-2
18	1	Valve body, lower, 2 ports ISO	31353-0376-1	31353-0380-1	31353-0381-1		31353-0026-1
	1	Valve body, lower, 2 ports DN	9612-0941-01	9612-0942-01		9612-0943-01	9612-0944-01
18	1	Valve body, lower, 3 ports ISO	31353-0376-6	31353-0380-6	31353-0381-6		31353-0026-6
	1	Valve body, lower, 3 ports DN	9612-0941-02	9612-0942-02	9612-0943-02	9612-0944-02	

Sanitary Remote Controlled Valve Type SRC-LS - Change-over Valve

8

(Same drawing as on page 6)



Sanitary Remote Controlled Valve Type SRC-LS - Change-over Valve

Pos.	Qty	Denomination	DN50 51 mm	DN65 63.5 mm	76 mm	DN80	DN 100 101.6 mm
Valve Plug							
20	1	Plug,double,complete EPDM (standard)	9612-1205-02	9612-1206-02	9612-1207-02	9612-0986-01	9612-1208-02
	1	Plug,double,complete NBR	9612-1205-04	9612-1206-04	9612-1207-04	9612-0986-02	9612-1208-04
	1	Plug,double,complete FPM	9612-1205-06	9612-1206-06	9612-1207-06	9612-0986-03	9612-1208-06
b	1	Stem	9612-1209-02	9612-1210-02	9612-1211-03	9612-1211-05	9612-1211-04
c●	1	Seal ring, upper EPDM (standard)	31353-0321-1	31353-0323-1	31353-0324-1	31353-0324-1	31353-0325-1
	1	Seal ring, upper NBR	31353-0321-2	31353-0323-2	31353-0324-2	31353-0324-2	31353-0325-2
	1	Seal ring, upper FPM	31353-0321-3	31353-0323-3	31353-0324-3	31353-0324-3	31353-0325-3
	1	Packing upper, PTFE	31353-1212-1	31353-1216-1	31353-1214-1	31353-1214-1	31353-1215-1
d	1	Middle piece	9612-1214-01	9612-1215-01	9612-1216-01	9612-0987-01	9612-1217-02
eΔ●	1	Seal ring, lower, EPDM (standard)	31353-0321-1	31353-0322-1	31353-0324-1	9612-0950-01	31353-0325-1
	1	Seal ring, lower, NBR	31353-0321-2	31353-0322-2	31353-0324-2	9612-0950-02	31353-0325-2
	1	Seal ring, lower, FPM	31353-0321-3	31353-0322-3	31353-0324-3	9612-0950-03	31353-0325-3
	1	Packing upper, PTFE	31353-1212-1	31353-1213-1	31353-1214-1	31353-1225-1	31353-1215-1
f	1	Washer	9612-1234-01	9612-1233-01	9612-1220-01	9612-1220-02	9612-1232-01
gΔ●	1	O-ring, EPDM (standard)	990034-01	990034-01	990034-01	990034-01	990034-01
	1	O-ring, NBR	223404-21	223404-21	223404-21	223404-21	223404-21
	1	O-ring, FPM	223404-35	223404-35	223404-35	223404-35	223404-35
	1	Seal-ring, PTFE	9612-4330-01	9612-4330-01	9612-4330-01	9612-4330-01	9612-4330-01
h	1	Screw	31353-0362-1	31353-0362-1	31353-0362-1	31353-0362-1	31353-0362-1
Δ		Service kit EPDM	9611-92-0028	9611-92-0031	9611-92-0034	9611-92-0108	9611-92-0037
Δ		Service kit NBR	9611-92-0029	9611-92-0032	9611-92-0035	9611-92-0109	9611-92-0038
Δ		Service kit FPM	9611-92-0030	9611-92-0033	9611-92-0036	9611-92-0110	9611-92-0039
Parts marked with Δ are included in the service kits.							
Alternatives							
Stem seal							
14	1	Lip seal kit, EPDM (standard)	9611-92-0078	9611-92-0078	9611-92-0142	9611-92-0142	9611-92-0142
	1	Lip seal kit, NBR	9611-92-0079	9611-92-0079	9611-92-0143	9611-92-0143	9611-92-0143
	1	Lip seal kit, FPM	9611-92-0080	9611-92-0080	9611-92-0144	9611-92-0144	9611-92-0144
a●	1	Lip seal, EPDM	9612-2806-01	9612-2806-01	9612-3088-01	9612-3088-01	9612-3088-01
	1	Lip seal, NBR	9612-2806-02	9612-2806-02	9612-3088-02	9612-3088-02	9612-3088-02
	1	Lip seal, FPM	9612-2806-03	9612-2806-03	9612-3088-03	9612-3088-03	9612-3088-03
b	1	Plate	9612-2805-01	9612-2805-01	9612-3087-01	9612-3087-01	9612-3087-01
c●	1	Sealring, EPDM	31353-0128-1	31353-0128-1	31353-0205-1	31353-0205-1	31353-0205-1
	1	Seal ring, NBR	31353-0128-2	31353-0128-2	31353-0205-2	31353-0205-2	31353-0205-2
	1	Sealring, FPM	31353-0128-3	31353-0128-3	31353-0205-3	31353-0205-3	31353-0205-3
Stem seal							
14d	1	Washer	31353-0452-1	31353-0452-1	31353-0452-2	31353-0452-2	31353-0452-2
e●	1	O-ring FEP/Silicone	9611-99-2909	9611-99-2909	9611-99-2910	9611-99-2910	9611-99-2910
f	1	Holder	31353-0453-1	31353-0453-1	31353-0454-1	31353-0454-1	31353-0454-1
g●	1	Valve body packing	31353-0451-1	31353-0451-1	31353-0451-2	31353-0451-2	31353-0451-2
Service kits special lip seals (marked ●)							
●		Service kit EPDM	9611-92-0475	9611-92-0479	9611-92-0483	9611-92-0487	9611-92-0491
●		Service kit NBR	9611-92-0476	9611-92-0480	9611-92-0484	9611-92-0488	9611-92-0492
●		Service kit FPM	9611-92-0477	9611-92-0481	9611-92-0485	9611-92-0489	9611-92-0493
●		Service kit FEP	9611-92-0478	9611-92-0482	9611-92-0486	9611-92-0490	9611-92-0494

The information contained herein is correct at the time of issue but may be subject to change without prior notice.