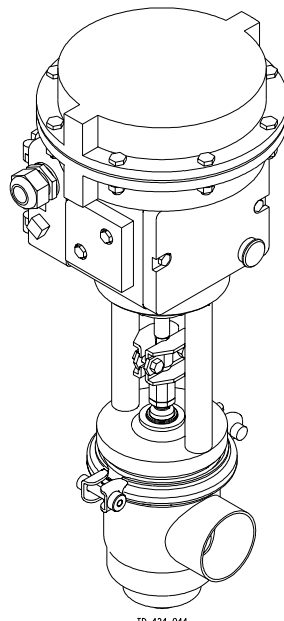


Spare Parts

SPC-2 Sanitary Electro-Pneumatic Modulating Valve

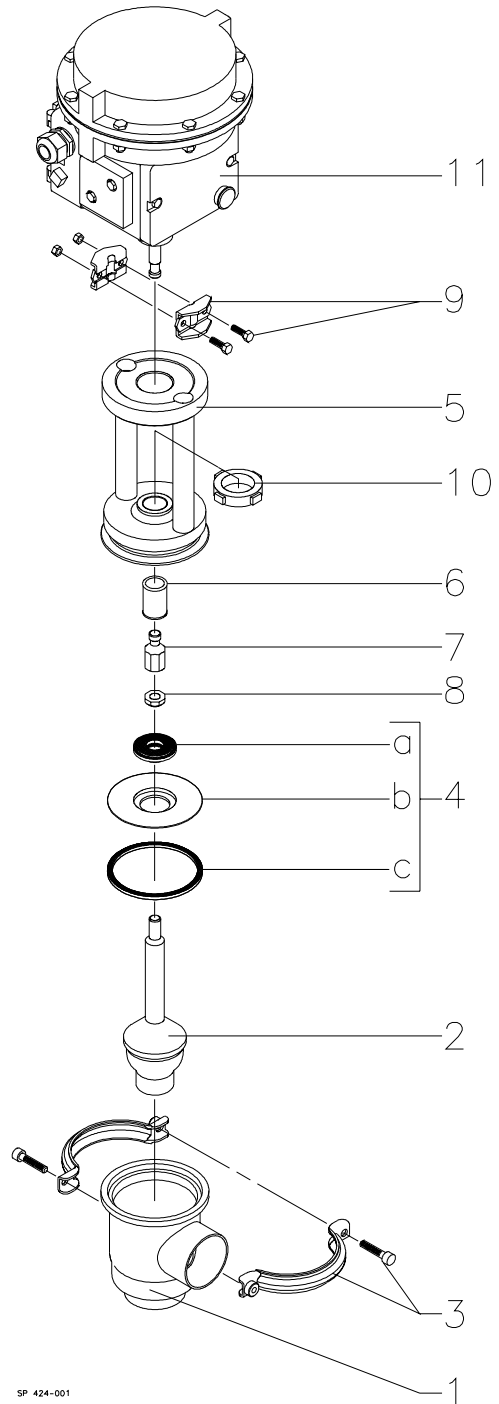
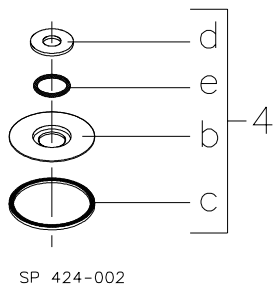


TD 424-044

Sanitary Electro-Pneumatic Modulating Valve Type SPC-2 (Samson actuator, beige colour)

2

Parts for FEP seal



Sanitary Electro-Pneumatic Modulating Valve Type SPC-2 (Samson actuator, beige colour)

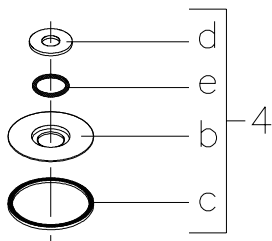
Pos.	Qty.	Denomination	38 mm NW40	51 mm NW50	63.5 mm NW65	76 mm NW80	101.6 mm NW100
1	1	Valve body, ... Kv 0.5 ISO	9612-1155-01				
	1	Valve body, ... Kv 0.5 DIN	9612-1180-01				
	1	Valve body, ... Kv 1 ISO	9612-1155-02				
	1	Valve body, ... Kv 1 DIN	9612-1180-02				
	1	Valve body, ... Kv 2 ISO	9612-1155-03				
	1	Valve body, ... Kv 2 DIN	9612-1180-03				
	1	Valve body, ... Kv 4 ISO	9612-1155-04				
	1	Valve body, ... Kv 4 DIN	9612-1180-04				
	1	Valve body, ... Kv 8 ISO	9612-1155-05				
	1	Valve body, ... Kv 8 DIN	9612-1180-05				
	1	Valve body, ... Kv 16 ISO	9612-1155-06				
	1	Valve body, ... Kv 16 DIN	9612-1180-06				
	1	Valve body, ... Kv 32 ISO		9612-1156-01			
	1	Valve body, ... Kv 32 DIN		9612-1181-01			
	1	Valve body, ... Kv 64 ISO			9612-1157-01		
	1	Valve body, ... Kv 64 DIN			9612-1182-01		
	1	Valve body, ... Kv 72 ISO				9612-1158-01	
	1	Valve body, ... Kv 72 DIN				9612-1183-01	
	1	Valve body, ... Kv 101 ISO					9612-1159-01
	1	Valve body, ... Kv 101 DIN					9612-1184-01
2	1	Plug, Kv 0.5 ISO	9612-5282-01				
	1	Plug, Kv 0.5 DIN	9612-5282-01				
	1	Plug, Kv 1 ISO	9612-5283-01				
	1	Plug, Kv 1 DIN	9612-5283-01				
	1	Plug, Kv 2 ISO	9612-5284-01				
	1	Plug, Kv 2 DIN	9612-5284-01				
	1	Plug, Kv 4 ISO	9612-5285-01				
	1	Plug, Kv 4 DIN	9612-5285-01				
	1	Plug, Kv 8 ISO	9612-5286-01				
	1	Plug, Kv 8 DIN	9612-5286-01				
	1	Plug, Kv 16 DIN	9612-5287-01				
	1	Plug, Kv 32 ISO		9612-5288-01			
	1	Plug, Kv 32 DIN		9612-5288-01			
	1	Plug, Kv 64 ISO			9612-5289-01		
	1	Plug, Kv 64 DIN			9612-5289-01		
	1	Plug, Kv 72 ISO				9612-5289-01	
	1	Plug, Kv 72 DIN				9612-5289-02	
	1	Plug, Kv 110 ISO					9612-5290-01
	1	Plug, Kv 110 DIN					9612-5290-01

Sanitary Electro-Pneumatic Modulating Valve Type SPC-2 (Samson actuator, beige colour)

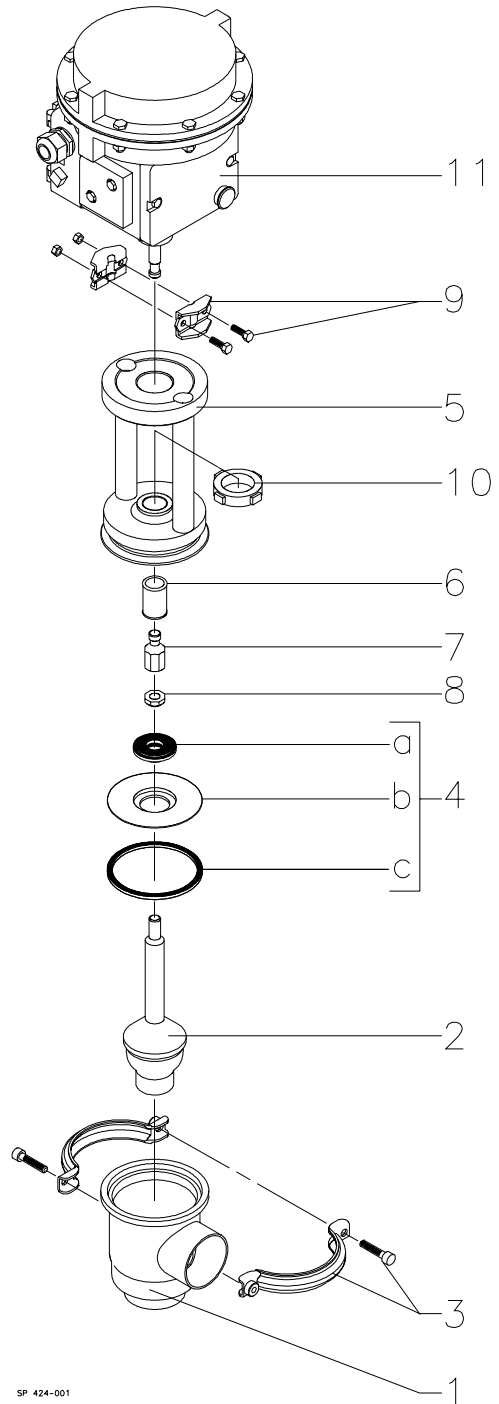
(Same drawing as on page 2)

4

Parts for FEP seal



SP 424-002



SP 424-001

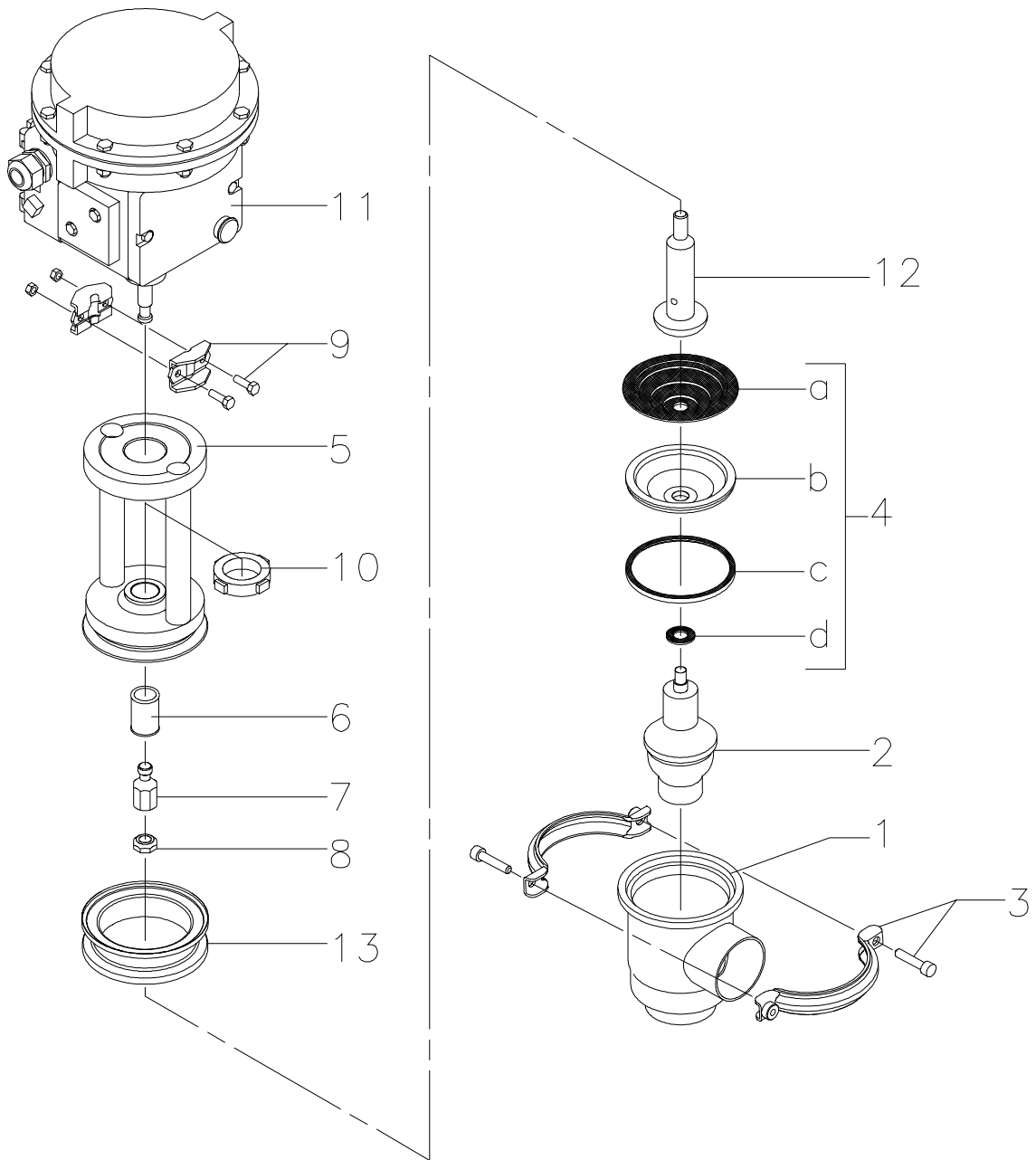
Sanitary Electro-Pneumatic Modulating Valve Type SPC-2 (Samson actuator, beige colour)

Pos.	Qty.	Denomination	38-51 mm NW40-50	63.5-76 mm NW65-80	101.6 mm NW100
3	1	Clamp complete	31320-0027-3	31320-0027-5	31320-0027-5
4	1	Lip seal kit, EPDM (standard)	9611-92-0078	9611-92-0142	9611-92-0142
	1	Lip seal kit, NBR	9611-92-0079	9611-92-0143	9611-92-0143
	1	Lip seal kit, FPM	9611-92-0080	9611-92-0144	9611-92-0144
	1	Lip seal kit, PTFE	9611-92-0445	9611-92-0446	9611-92-0446
aΔ	1	Lip seal, EPDM	9612-2806-01	9612-3088-01	9612-3088-01
	1	Lip seal, NBR	9612-2806-02	9612-3088-02	9612-3088-02
	1	Lip seal, FPM	9612-2806-03	9612-3088-03	9612-3088-03
b	1	Plate	9612-2805-01	9612-3087-01	9612-3087-01
	1	Plate for FEP seal	31353-0453-1	31353-0454-1	31353-0454-1
cΔ	1	Seal ring, EPDM	31353-0128-1	31353-0205-1	31353-0205-1
	1	Seal ring, NBR	31353-0128-2	31353-0205-2	31353-0205-2
	1	Seal ring, FPM	31353-0128-3	31353-0205-3	31353-0205-3
	1	Seal ring, PTFE	31353-0451-1	31353-0451-2	31353-0451-2
d	1	Washer	31353-0452-1	31353-0452-2	31353-0452-2
eΔ	1	O-ring	9611-99-2909	9611-99-2910	9611-99-2910
5	1	Bonnet complete	9612-5331-01	9612-5331-02	9612-5331-02
6Δ	1	Guide ring	9612-3586-01	9612-3586-04	9612-3586-04
7	1	Valve plug adjuster	9612-5340-01	9612-5340-01	9612-5340-01
8	1	Lock nut	9612-5341-01	9612-5341-01	9612-5341-01
9	1	Clamp fitting	9612-5342-01	9612-5342-01	9612-5342-01
10	1	Striking nut	9612-5339-01	9612-5339-01	9612-5339-01
11	1	Actuator complete NO	9612-5336-01	9612-5336-01	9612-5336-01
	1	Actuator complete NC	9612-5336-02	9612-5336-02	9612-5336-03
Δ		Service kit EPDM	9611-92-0419	9611-92-0423	9611-92-0423
Δ		Service kit NBR	9611-92-0420	9611-92-0424	9611-92-0424
Δ		Service kit FPM	9611-92-0421	9611-92-0425	9611-92-0425
Δ		Service kit PTFE	9611-92-0422	9611-92-0426	9611-92-0426

Parts marked with Δ are included in the **Service kits**.

Sanitary Electro-Pneumatic Modulating Valve Type SPC-2 with ARC plug

6



SP 424-003

Sanitary Electro-Pneumatic Modulating Valve Type SPC-2 with ARC plug

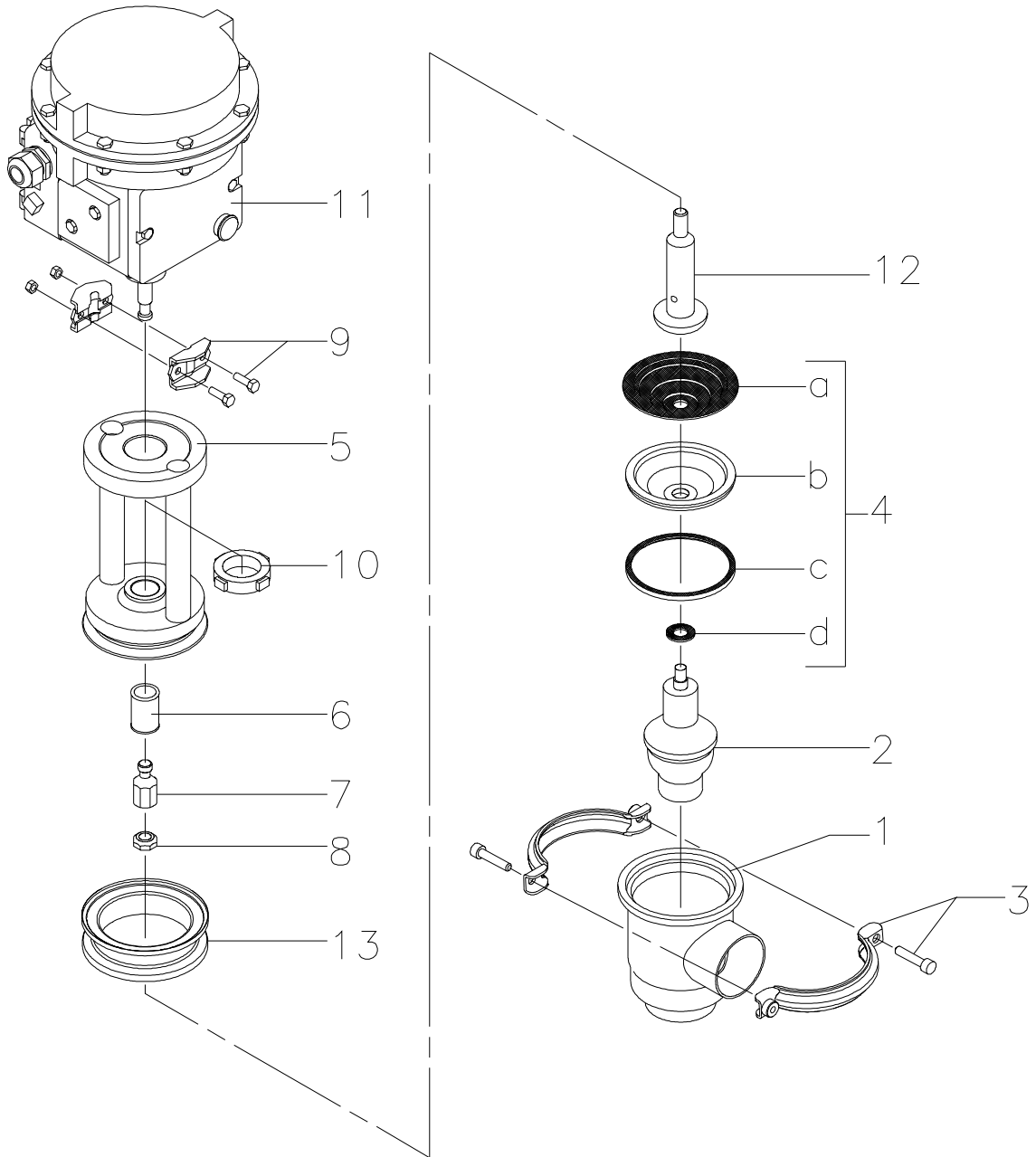
Pos.	Qty.	Denomination	38 mm NW40	51 mm NW50	63.5 mm NW65	76 mm NW80	101.6 mm NW100
1	1	Valve body,.. Kv 0.5 ISO	9612-1155-01				
	1	Valve body,.. Kv 0.5 DIN	9612-1180-01				
	1	Valve body,.. Kv 1 ISO	9612-1155-02				
	1	Valve body,.. Kv 1 DIN	9612-1180-02				
	1	Valve body,.. Kv 2 ISO	9612-1155-03				
	1	Valve body,.. Kv 2 DIN	9612-1180-03				
	1	Valve body,.. Kv 4 ISO	9612-1155-04				
	1	Valve body,.. Kv 4 DIN	9612-1180-04				
	1	Valve body,.. Kv 8 ISO	9612-1155-05				
	1	Valve body,.. Kv 8 DIN	9612-1180-05				
	1	Valve body,.. Kv 16 ISO	9612-1155-06				
	1	Valve body,.. Kv 16 DIN	9612-1180-06				
	1	Valve body,.. Kv 32 ISO		9612-1156-01			
	1	Valve body,.. Kv 32 DIN		9612-1181-01			
	1	Valve body,.. Kv 64 ISO			9612-1157-01		
	1	Valve body,.. Kv 64 DIN			9612-1182-01		
	1	Valve body,.. Kv 72 ISO				9612-1158-01	
	1	Valve body,.. Kv 72 DIN				9612-1183-01	
	1	Valve body,.. Kv 101 ISO					9612-1159-01
	1	Valve body,.. Kv 101 DIN					9612-1184-01
2	1	Plug, Kv 0.5 ISO	9612-1187-01				
	1	Plug, Kv 0.5 DIN	9612-1187-01				
	1	Plug, Kv 1 ISO	9612-1188-01				
	1	Plug, Kv 1 DIN	9612-1188-01				
	1	Plug, Kv 2 ISO	9612-1189-01				
	1	Plug, Kv 2 DIN	9612-1189-01				
	1	Plug, Kv 4 ISO	9612-1190-01				
	1	Plug, Kv 4 DIN	9612-1190-01				
	1	Plug, Kv 8 ISO	9612-1191-01				
	1	Plug, Kv 8 DIN	9612-1191-01				
	1	Plug, Kv 16 ISO	9612-1192-01				
	1	Plug, Kv 16 DIN	9612-1192-01				
	1	Plug, Kv 32 ISO		9612-1194-01			
	1	Plug, Kv 32 DIN		9612-1194-01			
	1	Plug, Kv 64 ISO			9612-1196-01		
	1	Plug, Kv 64 DIN			9612-1196-01		
	1	Plug, Kv 72 ISO				9612-1196-01	
	1	Plug, Kv 72 DIN				9612-1196-02	
	1	Plug, Kv 110 ISO					9612-1198-01
	1	Plug, Kv 110 DIN					9612-1198-01

Recommended Spare Parts: **Service kits**

Sanitary Electro-Pneumatic Modulating Valve Type SPC-2 with ARC plug

8

(Same drawing as on page 6)



SP 424-003

Sanitary Electro-Pneumatic Modulating Valve Type SPC-2 with ARC plug

Pos.	Qty.	Denomination	NW40/50 38/51 mm	NW65/80 63.5/76 mm	NW 100 101.6 mm
3	1	Clamp complete	31320-0027-3	31320-0027-5	31320-0027-5
4	1	Diaphragm set PTFE, EPDM	9611-92-0001	9611-92-0001	9611-92-0007
		(complete replacement recommended)			
	1	Diaphragm set NBR	9611-92-0081	9611-92-0083	9611-92-0083
	1	Diaphragm set FPM	9611-92-0082	9611-92-0084	9611-92-0084
aΔ	1	Diaphragm support, EPDM	31353-0816-1	31353-0816-2	31353-0816-2
bΔ	1	Diaphragm PTFE	31353-0820-1	31353-0820-2	31353-0820-2
cΔ	1	L-seal, EPDM (standard)	31353-0817-1	31353-0817-1	31353-0817-1
	1	L-seal, NBR	31353-0817-2	31353-0817-2	31353-0817-2
	1	L-seal, FPM	31353-0817-3	31353-0817-3	31353-0817-3
dΔ	1	Stem seal, EPDM (standard)	31353-0818-1	31353-0818-2	31353-0818-2
	1	Stem seal, NBR	31353-0818-3	31353-0818-4	31353-0818-4
	1	Stem seal, FPM	31353-0818-5	31353-0818-6	31353-0818-6
5	1	Bonnet complete	9612-5331-01	9612-5331-02	9612-5331-02
6Δ	1	Guide ring	9612-3886-01	9612-3886-04	9612-3886-04
7	1	Valve plug adjuster	9612-5340-01	9612-5340-01	9612-5340-01
8	1	Lock nut	9612-5341-01	9612-5341-01	9612-5341-01
9	1	Clamp fitting	9612-5342-01	9612-5342-01	9612-5342-01
10	1	Striking nut	9612-5339-01	9612-5339-01	9612-5339-01
11	1	Actuator complete NO	9612-5336-01	9612-5336-01	9612-5336-01
	1	Actuator complete NC	9612-5336-02	9612-5336-02	9612-5336-03
12	1	Stem, upper	9612-5274-01	9612-5275-01	9612-5275-01
13	1	Intermediate piece	31353-0813-3	31353-0840-3	31353-0840-3
Δ		Service kit EPDM	9611-92-0427	9611-92-0433	9611-92-0433
Δ		Service kit NBR	9611-92-0428	9611-92-0434	9611-92-0434
Δ		Service kit FPM	9611-92-0429	9611-92-0435	9611-92-0435

Parts marked with Δ are included in the **Service kits**.

The information contained herein is correct at the time of issue but may be subject to change without prior notice.