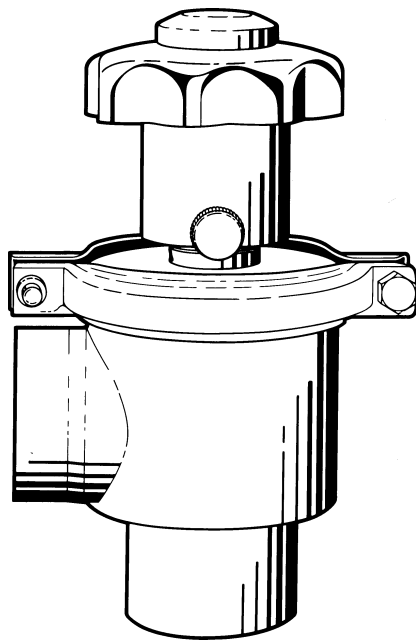


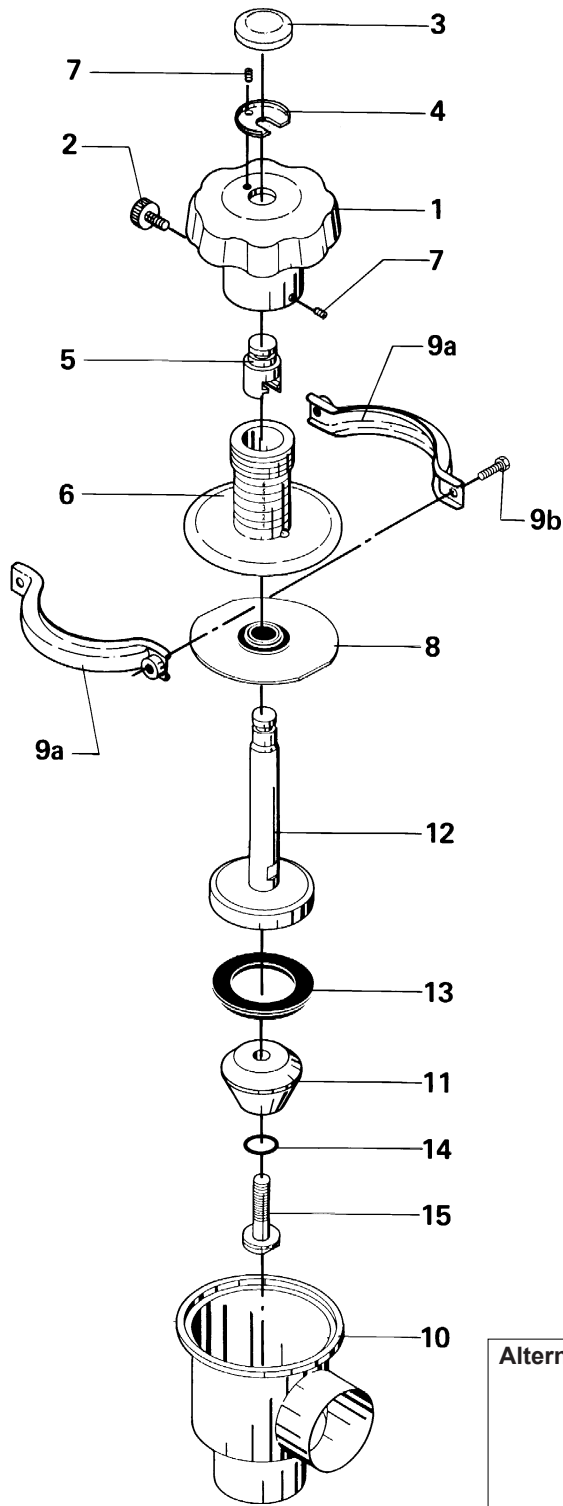
Spare Parts

SMO-R Manual Regulating Valve

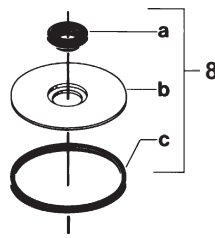


Regulating Valve Type SMO-R

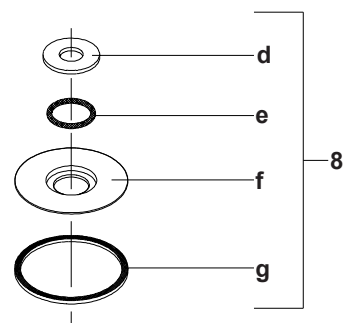
2



Alternatives Stem seal



Parts for FEP seal



Regulating Valve Type SMO-R

OPERATING MECHANISM

Pos.	Qty	Denomination	DN40 38 mm	DN50 51 mm	DN65 63.5 mm	76 mm	DN80	DN 100 101.6 mm
	1	Operating mechanism complete	31353-0531-1	31353-0531-1	31353-0531-1	31353-0531-2	31353-0531-2	31353-0531-2
1	1	Hand wheel	31353-0528-1	31353-0528-1	31353-0528-1	31353-0528-1	31353-0528-1	31353-0528-1
2	1	Lock screw	31353-0529-1	31353-0529-1	31353-0529-1	31353-0529-1	31353-0529-1	31353-0529-1
3	1	Cap	31353-0468-1	31353-0468-1	31353-0468-1	31353-0468-1	31353-0468-1	31353-0468-1
4	1	Washer	31353-0467-1	31353-0467-1	31353-0467-1	31353-0467-1	31353-0467-1	31353-0467-1
5	1	Stem holder	31353-0466-1	31353-0466-1	31353-0466-1	31353-0466-1	31353-0466-1	31353-0466-1
6	1	Guide	31353-0459-1	31353-0459-1	31353-0459-1	31353-0460-1	31353-0460-1	31353-0460-1
7	2	Set screw	221581-92	221581-92	221581-92	221581-92	221581-92	221581-92

Valve Body Part

Pos.	Qty	Denomination	DN40 38 mm	DN50 51 mm	DN65 63.5 mm	76 mm	DN80	DN 100 101.6 mm
------	-----	--------------	---------------	---------------	-----------------	-------	------	--------------------

Stem Seal

8Δ	1	Lip seal, EPDM	31353-0155-1	31353-0155-1	31353-0155-1	31353-0188-1	31353-0188-1	31353-0188-1
	1	Lip seal, NBR	31353-0155-2	31353-0155-2	31353-0155-2	31353-0188-2	31353-0188-2	31353-0188-2
	1	Lip seal, FPM	31353-0155-3	31353-0155-3	31353-0155-3	31353-0188-3	31353-0188-3	31353-0188-3

Clamp

9a+b	1	Clamps and screws (Period 9209)	31320-0027-1	31320-0027-1	31320-0027-1	31320-0027-2	31320-0027-2	31320-0027-2
9a	2	Clamp half (Period -9209)	31320-0022-1	31320-0022-1	31320-0022-1	31320-0021-1	31320-0021-1	31320-0021-1
9b	2	Screw (Period -9209)	2210936-18	2210936-18	2210936-18	2210936-18	2210936-18	2210936-18

Valve Body

10	1	Valve body, 2 ports ISO	31353-0375-1	31353-0376-1	31353-0380-1	31353-0381-1		31353-0026-1
	1	Valve body, 2 ports DN	9612-0940-01	9612-0941-01	9612-0942-01		9612-0943-01	9612-0944-01

Valve Plug

	1	Plug complete, EPDM	31353-0520-1	31353-0521-1	31353-0522-1	31353-0523-1	31353-0523-4	31353-0524-1
	1	Plug complete, NBR	31353-0520-2	31353-0521-2	31353-0522-2	31353-0523-2	31353-0523-5	31353-0524-2
	1	Plug complete, FPM	31353-0520-3	31353-0521-3	31353-0522-3	31353-0523-3	31353-0523-6	31353-0524-3
	1	Plug complete, EPDM, Kv 17 (Option)	31353-0520-4					
11	1	Regulating plug, Kv43	31353-0515-1	31353-0516-1	31353-0517-1	31353-0518-1	9612-0985-01	31353-0519-1
	1	Regulating plug, Kv17-option	31353-0532-1					
12	1	Stem	31353-0340-1	31353-0377-1	31353-0378-1	31353-0341-1	31353-0341-2	31353-0379-1
13Δ●	1	Packing, EPDM	31353-0320-1	31353-0321-1	31353-0322-1	31353-0324-1	9612-0950-01	31353-0325-1
	1	Packing, NBR	31353-0320-2	31353-0321-2	31353-0322-2	31353-0324-2	9612-0950-02	31353-0325-2
	1	Packing, FPM	31353-0320-3	31353-0321-3	31353-0322-3	31353-0324-3	9612-0950-03	31353-0325-3
	1	Packing, PTFE	31353-1211-1	31353-1212-1	31353-1213-1	31353-1214-1	31353-1225-1	31353-1215-1
14Δ●	1	O-ring, EPDM	990034-01	990034-01	990034-01	990034-01	990034-01	990034-01
	1	O-ring, NBR	223404-21	223404-21	223404-21	223404-21	223404-21	223404-21
	1	O-ring, FPM	223404-35	223404-35	223404-35	223404-35	223404-35	223404-35
	1	Seal-ring, PTFE	9612-4330-01	9612-4330-01	9612-4330-01	9612-4330-01	9612-4330-01	9612-4330-01
15	1	Screw	31353-0514-1	31353-0514-1	31353-0514-1	31353-0514-1	31353-0514-1	31353-0514-1
	1	Screw, 17Kv (option)	31353-0514-2					

Valve Body with 0.8 RA finish inside

10	1	Valve body, 2 ports ISO	31353-0375-2	31353-0376-2	31353-0380-2	31353-0381-2		31353-0026-2
	1	Valve body, 2 ports DN	9612-0940-03	9612-0941-03	9612-0942-03		9612-0943-03	9612-0944-03

Valve Plug with 0.8 RA finish

	1	Plug complete, EPDM	31353-1112-1	31353-1113-1	31353-1114-1	31353-1115-1	31353-1115-4	31353-1116-1
	1	Plug complete, NBR	31353-1112-2	31353-1113-2	31353-1114-2	31353-1115-2	31353-1115-5	31353-1116-2
	1	Plug complete, FPM	31353-1112-3	31353-1113-3	31353-1114-3	31353-1115-3	31353-1115-6	31353-1116-3
11	1	Regulating plug	31353-1123-1	31353-1124-1	31353-1125-1	31353-1126-1	9612-0985-02	31353-1127-1
12	1	Stem	31353-1007-1	31353-1007-2	31353-1007-3	31353-1007-4	31353-1007-8	31353-1007-5
15	1	Screw	31353-1122-1	31353-1122-1	31353-1122-1	31353-1122-1	31353-1122-1	31353-1122-1

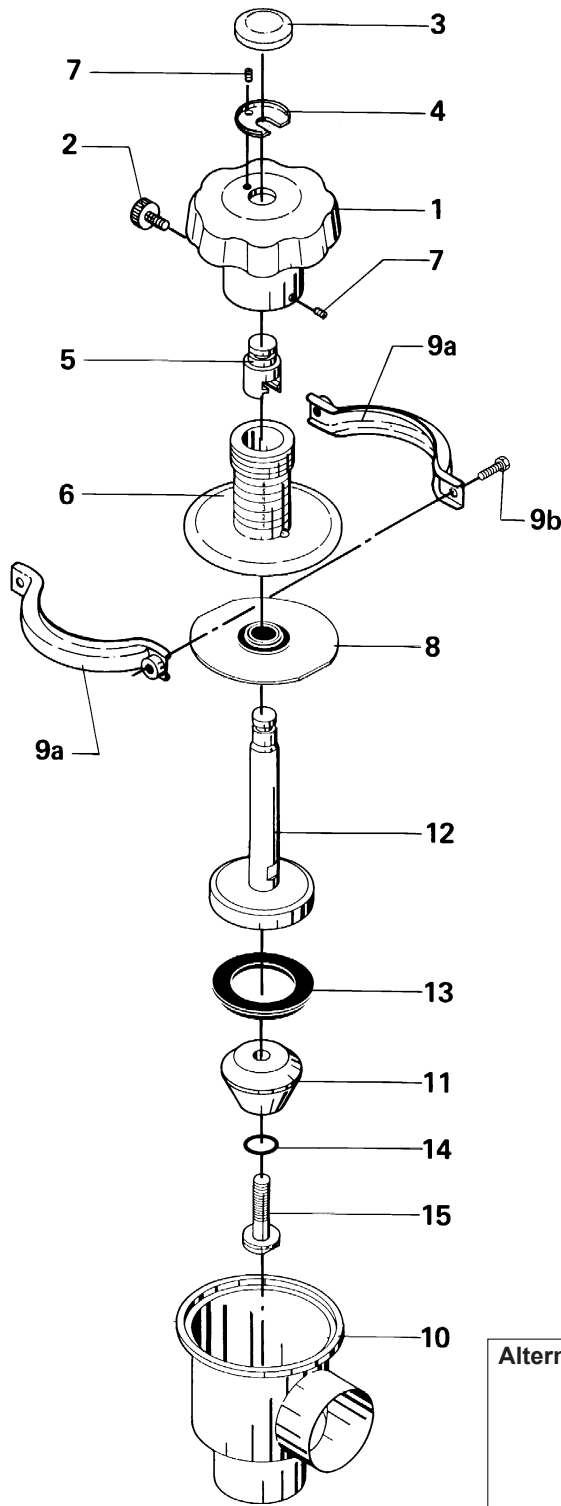
Δ		Service Kit EPDM	9611-92-0010	9611-92-0013	9611-92-0016	9611-92-0019	9611-92-0105	9611-92-0022
Δ		Service Kit NBR	9611-92-0011	9611-92-0014	9611-92-0017	9611-92-0020	9611-92-0106	9611-92-0023
Δ		Service Kit FPM	9611-92-0012	9611-92-0015	9611-92-0018	9611-92-0021	9611-92-0107	9611-92-0024

Parts marked with Δ are included in the **service kits**.
Recommended spare parts: Pos. 3,7 and **Service Kit**.

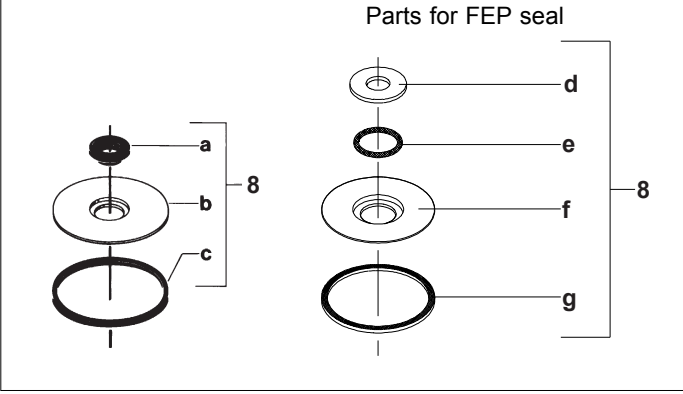
Regulating Valve Type SMO-R

(Same drawing as on page 2)

4



Alternatives Stem seal



Regulating Valve Type SMO-R

Pos.	Qty	Denomination	DN40 38 mm	DN50 51 mm	DN65 63.5 mm	76 mm	DN80	DN 100 101.6 mm
Alternatives								
Stem seal								
14	1	Lipseal kit, EPDM (standard)	9611-92-0078	9611-92-0078	9611-92-0078	9611-92-0142	9611-92-0142	9611-92-0142
	1	Lip seal kit, NBR	9611-92-0079	9611-92-0079	9611-92-0079	9611-92-0143	9611-92-0143	9611-92-0143
	1	Lip seal kit, FPM	9611-92-0080	9611-92-0080	9611-92-0080	9611-92-0144	9611-92-0144	9611-92-0144
a●	1	Lipseal, EPDM	9612-2806-01	9612-2806-01	9612-2806-01	9612-3088-01	9612-3088-01	9612-3088-01
	1	Lip seal, NBR	9612-2806-02	9612-2806-02	9612-2806-02	9612-3088-02	9612-3088-02	9612-3088-02
	1	Lipseal, FPM	9612-2806-03	9612-2806-03	9612-2806-03	9612-3088-03	9612-3088-03	9612-3088-03
b	1	Plate	9612-2805-01	9612-2805-01	9612-2805-01	9612-3087-01	9612-3087-01	9612-3087-01
c●	1	Sealring, EPDM	31353-0128-1	31353-0128-1	31353-0128-1	31353-0205-1	31353-0205-1	31353-0205-1
	1	Sealring, NBR	31353-0128-2	31353-0128-2	31353-0128-2	31353-0205-2	31353-0205-2	31353-0205-2
	1	Sealring, FPM	31353-0128-3	31353-0128-3	31353-0128-3	31353-0205-3	31353-0205-3	31353-0205-3
Stem seal								
14d	1	Washer	31353-0452-1	31353-0452-1	31353-0452-1	31353-0452-2	31353-0452-2	31353-0452-2
e●	1	O-ring FEP/Silicone	9611-99-2909	9611-99-2909	9611-99-2909	9611-99-2910	9611-99-2910	9611-99-2910
f	1	Holder	31353-0453-1	31353-0453-1	31353-0453-1	31353-0454-1	31353-0454-1	31353-0454-1
g●	1	Valve body packing	31353-0451-1	31353-0451-1	31353-0451-1	31353-0451-2	31353-0451-2	31353-0451-2
Service kits special lip seals (marked ●)								
●		Service kit EPDM	9611-92-0447	9611-92-0451	9611-92-0455	9611-92-0459	9611-92-0463	9611-92-0467
●		Service kit NBR	9611-92-0448	9611-92-0452	9611-92-0456	9611-92-0460	9611-92-0464	9611-92-0468
●		Service kit FPM	9611-92-0449	9611-92-0453	9611-92-0457	9611-92-0461	9611-92-0465	9611-92-0469
●		Service kit FEP	9611-92-0450	9611-92-0454	9611-92-0458	9611-92-0462	9611-92-0466	9611-92-0470

The information contained herein is correct at the time of issue but may be subject to change without prior notice.