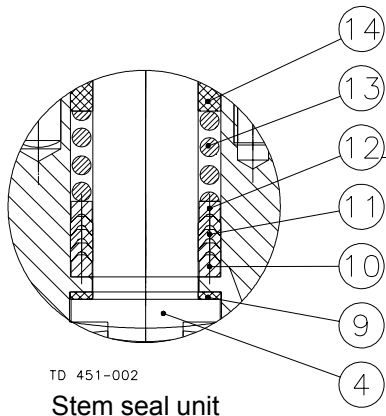


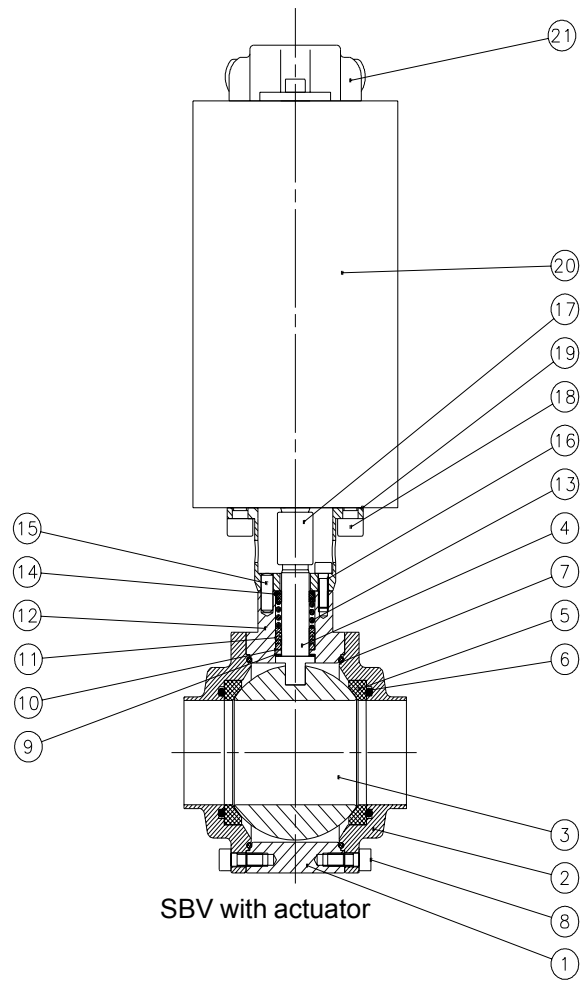
SBV Sanitary Ball Valve

2

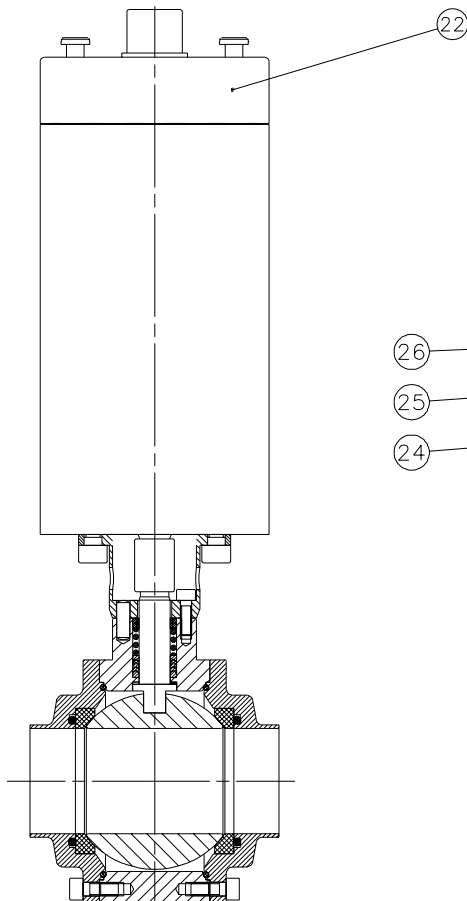


TD 451-002

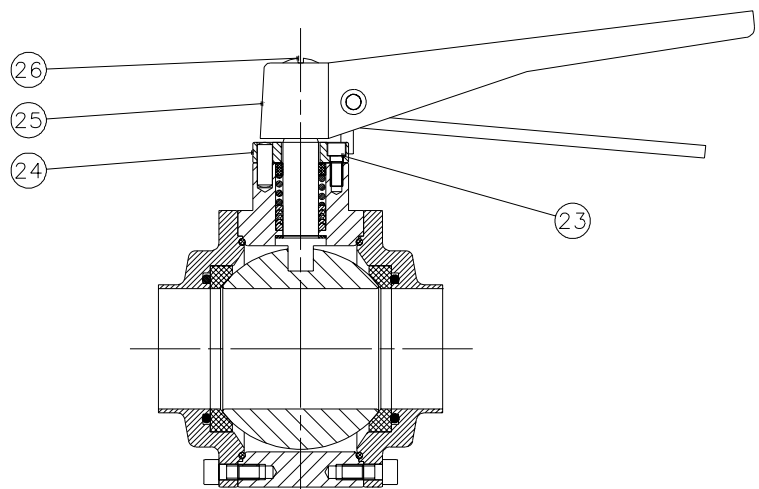
Stem seal unit



SBV with actuator



SBV with actuator, prepared for *ThinkTop*®



SBV manually operated

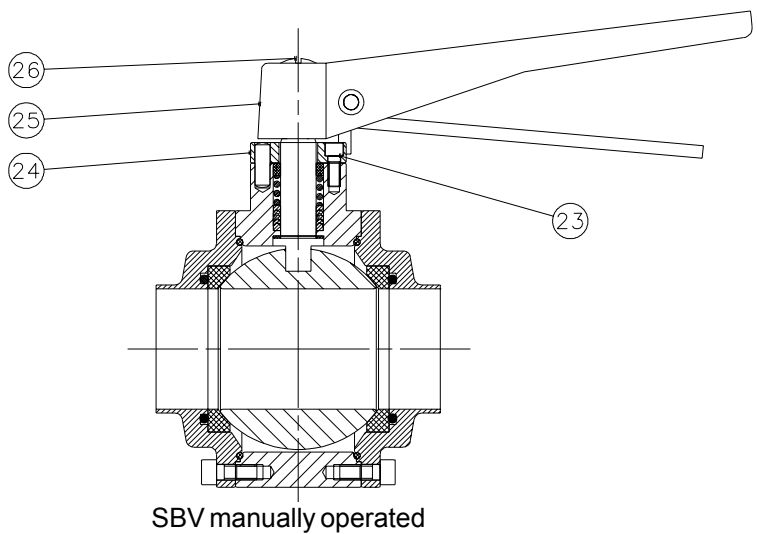
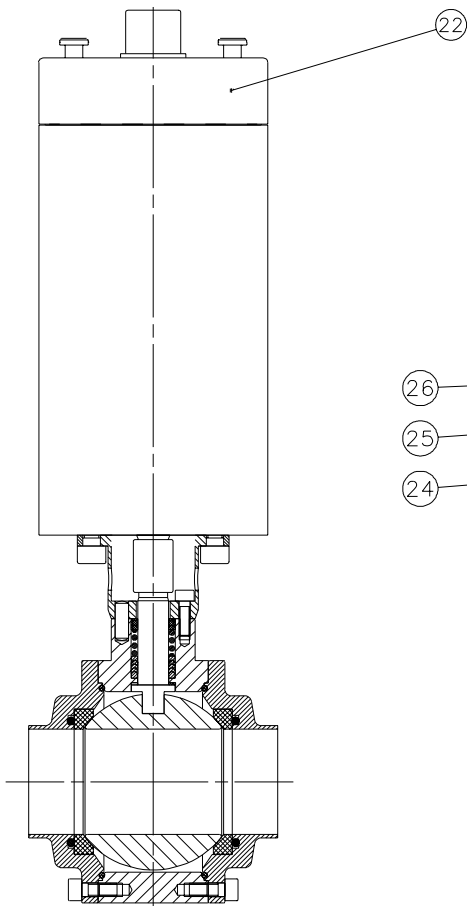
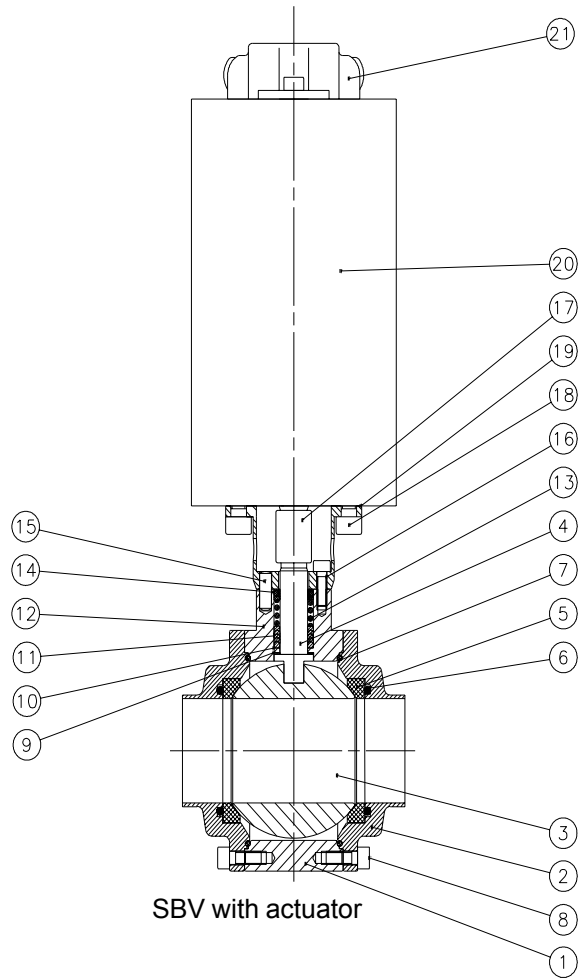
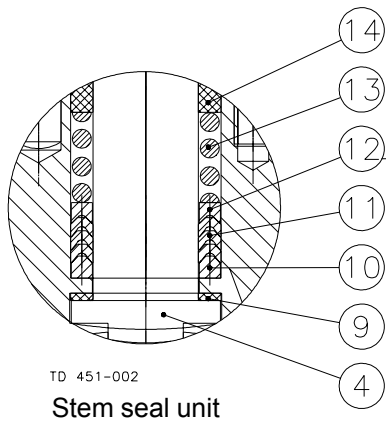
SBV Sanitary Ball Valve for Inch Tube

Pos.	Qty.	Denomination	DN/OD25	DN/OD38	DN/OD51	DN/OD63.5	DN/OD76.1	DN/OD101.6
1	1	Valve body	9612-6475-01	9612-6475-35	9612-6475-47	9612-6475-59	9612-6475-71	9612-6475-84
2	2	Flange	9612-6475-02	9612-6475-36	9612-6475-48	9612-6475-60	9612-6475-72	9612-6475-85
3	1	Ball	9612-6475-03	9612-6475-37	9612-6475-49	9612-6475-61	9612-6475-73	9612-6475-86
4	1	Stem	9612-6475-04	9612-6475-04	9612-6475-50	9612-6475-50	9612-6475-50	9612-6475-87
5	2	◆ Valve seat	9612-6475-05	9612-6475-38	9612-6475-50	9612-6475-62	9612-6475-75	9612-6475-88
6	2	◆ O-ring EPDM (std) ...	9612-6475-06	9612-6475-39	9612-6475-51	9612-6475-63	9612-6475-75	9612-6475-89
		O-ring NBR	9612-6475-07	9612-6475-40	9612-6475-52	9612-6475-64	9612-6475-76	9612-6475-90
		O-ring Q	9612-6475-08	9612-6475-41	9612-6475-53	9612-6475-65	9612-6475-77	9612-6475-91
		O-ring FPM	9612-6475-09	9612-6475-42	9612-64-5-54	9612-6475-66	9612-6475-78	9612-6475-92
7	2	◆ O-ring EPDM (std) ...	9612-6475-10	9612-6475-43	9612-6475-55	9612-6475-67	9612-6475-79	9612-6475-93
		O-ring NBR	9612-6475-11	9612-6475-44	9612-6475-56	9612-6475-68	9612-6475-80	9612-6475-94
		O-ring Q	9612-6475-12	9612-6475-45	9612-6475-57	9612-6475-69	9612-6475-81	9612-6475-95
		O-ring FPM	9612-6475-13	9612-6475-46	9612-6475-58	9612-6475-70	9612-6475-82	9612-6475-96
8	8	Flange screw	9612-6475-14	9612-6475-14	9612-6475-14			
	12	Flange screw				9612-6475-14	9612-6475-83	
	16	Flange screw						9612-6475-83
9	1	□ Sliding ring	9612-6475-15	9612-6475-15	9612-6475-15	9612-6475-15	9612-6475-15	9612-6475-97
10	1	□ Support ring	9612-6475-16	9612-6475-16	9612-6475-16	9612-6475-16	9612-6475-16	9612-6475-98
11	3	□ V-rings	9612-6475-17	9612-6475-17	9612-6475-17	9612-6475-17	9612-6475-17	9612-6475-99
12	1	□ Pressure ring	9612-6475-18	9612-6475-18	9612-6475-18	9612-6475-18	9612-6475-18	9612-6476-01
13	1	Spring	9612-6475-19	9612-6475-19	9612-6475-19	9612-6475-19	9612-6475-19	9612-6476-02
14	1	□ Slide bearing	9612-6475-20	9612-6475-20	9612-6475-20	9612-6475-20	9612-6475-20	9612-6476-03
15	2	Pin	9612-6475-21	9612-6475-21	9612-6475-21	9612-6475-21	9612-6475-21	9612-6476-04
16	2	Screw (act.)	9612-6475-22	9612-6475-22	9612-6475-22	9612-6475-22	9612-6475-22	9612-6476-05
17	1	Coupling	9612-6475-23	9612-6475-23	9612-6475-23	9612-6475-23	9612-6475-23	9612-6476-06
18	2	Screw	9612-6475-24	9612-6475-24	9612-6475-24	9612-6475-24	9612-6475-24	9612-6476-07
19	1	Bonnet	9612-6475-25	9612-6475-25	9612-6475-25	9612-6475-25	9612-6475-25	9612-6476-08
20	1	Actuator	9612-6475-26	9612-6475-26	9612-6475-26	9612-6475-26	9612-6475-26	9612-6476-09
21	1	Position indicator cpl.	9612-6475-27	9612-6475-27	9612-6475-27	9612-6475-27	9612-6475-27	9612-6475-27
22	1	ThinkTop adapter cpl.	9612-6475-28	9612-6475-28	9612-6475-28	9612-6475-28	9612-6475-28	9612-6476-10
23	2	Screw (man.)	9612-6475-29	9612-6475-29	9612-6475-29	9612-6475-29	9612-6475-29	9612-6476-11
24	1	Top plate	9612-6475-30	9612-6475-30	9612-6475-30	9612-6475-30	9612-6475-30	9612-6476-12
		Top plate for	9612-6475-31	9612-6475-31	9612-6475-31	9612-6475-31	9612-6475-31	9612-6476-13
		position indication						
25	1	Handle	9612-6475-32	9612-6475-32	9612-6475-32	9612-6475-32	9612-6475-32	9612-6476-14
		Handle for	9612-6475-33	9612-6475-33	9612-6475-33	9612-6475-33	9612-6475-33	9612-6476-15
		position indication						
26	1	Screw	9612-6475-34	9612-6475-34	9612-6475-34	9612-6475-34	9612-6475-34	9612-6476-16
Service kit product wetted seals								
◆		Service kit EPDM (std.) ...	9612-6477-01	9612-6477-09	9612-6477-17	9612-6477-25	9612-6477-33	9612-64-7741
◆		Service kit NBR	9612-6477-02	9612-6477-10	9612-6477-18	9612-6477-26	9612-6477-34	9612-64-7742
◆		Service kit Q	9612-6477-03	9612-6477-11	9612-6477-19	9612-6477-27	9612-6477-35	9612-64-7743
◆		Service kit FPM	9612-6477-04	9612-6477-12	9612-6477-20	9612-6477-28	9612-6477-36	9612-64-7744
Service kit all seals								
□		Service kit EPDM (std.)* ..	9612-6477-05	9612-6477-13	9612-6477-21	9612-6477-29	9612-6477-37	9612-6477-45
□		Service kit NBR *	9612-6477-06	9612-6477-14	9612-6477-22	9612-6477-30	9612-6477-38	9612-6477-46
□		Service kit Q *	9612-6477-07	9612-6477-15	9612-6477-23	9612-6477-31	9612-6477-39	9612-6477-47
□		Service kit FPM *	9612-6477-08	9612-6477-16	9612-6477-24	9612-6477-32	9612-6477-40	9612-6477-48

*: Including mounting tool for stem gasket unit

SBV Sanitary Ball Valve

4



SBV with actuator, prepared for *ThinkTop*®

SBV Sanitary Ball Valve for DIN Tube

Pos.	Qty.	Denomination	DN25	DN40	DN50	DN50	DN65	DN80	DN100
1	1	Valve body	9612-6475-01	9612-6475-35	9612-6475-47	9612-6475-47	9612-6475-59	9612-6475-71	9612-6475-84
2	2	Flange	9612-6476-17	9612-6476-24	9612-6476-31	9612-6476-31	9612-6476-38	9612-6476-45	9612-6476-52
3	1	Ball	9612-6476-18	9612-6476-25	9612-6476-32	9612-6476-32	9612-6476-39	9612-6476-46	9612-6476-53
4	1	Stem	9612-6475-04	9612-6475-04	9612-6475-50	9612-6475-50	9612-6475-50	9612-6475-50	9612-6475-87
5	2	◆ Valve seat	9612-6476-19	9612-6476-26	9612-6476-33	9612-6476-33	9612-6476-40	9612-6476-47	9612-6476-54
6	2	◆ O-ring EPDM (std) ...	9612-6476-20	9612-6476-27	9612-6476-34	9612-6476-34	9612-6476-41	9612-6476-48	9612-6475-89
		O-ring NBR	9612-6476-21	9612-6476-28	9612-6476-35	9612-6476-35	9612-6476-42	9612-6476-49	9612-6475-90
		O-ring Q	9612-6476-22	9612-6476-29	9612-6476-36	9612-6476-36	9612-6476-43	9612-6476-50	9612-6475-91
		O-ring FPM	9612-6476-23	9612-6476-30	9612-6476-37	9612-6476-37	9612-6476-44	9612-6476-51	9612-6475-92
7	2	◆ O-ring EPDM (std) ...	9612-6475-10	9612-6475-43	9612-6475-55	9612-6475-55	9612-6475-67	9612-6475-79	9612-6475-93
		O-ring NBR	9612-6475-11	9612-6475-44	9612-6475-56	9612-6475-56	9612-6475-68	9612-6475-80	9612-6475-94
		O-ring Q	9612-6475-12	9612-6475-45	9612-6475-57	9612-6475-57	9612-6475-69	9612-6475-81	9612-6475-95
		O-ring FPM	9612-6475-13	9612-6475-46	9612-6475-58	9612-6475-58	9612-6475-70	9612-6475-82	9612-6475-96
8	8	Flange screw	9612-6475-14	9612-6475-14	9612-6475-14	9612-6475-14			
	12	Flange screw					9612-6475-14	9612-6475-83	
	16	Flange screw							9612-6475-83
9	1	□ Sliding ring	9612-6475-15	9612-6475-15	9612-6475-15	9612-6475-15	9612-6475-15	9612-6475-15	9612-6475-97
10	1	□ Support ring	9612-6475-16	9612-6475-16	9612-6475-16	9612-6475-16	9612-6475-16	9612-6475-16	9612-6475-98
11	3	□ V-rings	9612-6475-17	9612-6475-17	9612-6475-17	9612-6475-17	9612-6475-17	9612-6475-17	9612-6475-99
12	1	□ Pressure ring	9612-6475-18	9612-6475-18	9612-6475-18	9612-6475-18	9612-6475-18	9612-6475-18	9612-6476-01
13	1	Spring	9612-6475-19	9612-6475-19	9612-6475-19	9612-6475-19	9612-6475-19	9612-6475-19	9612-6476-02
14	1	□ Slide bearing	9612-6475-20	9612-6475-20	9612-6475-20	9612-6475-20	9612-6475-20	9612-6475-20	9612-6476-03
15	2	Pin	9612-6475-21	9612-6475-21	9612-6475-21	9612-6475-21	9612-6475-21	9612-6475-21	9612-6476-04
16	2	Screw (act.)	9612-6475-22	9612-6475-22	9612-6475-22	9612-6475-22	9612-6475-22	9612-6475-22	9612-6476-05
17	1	Coupling	9612-6475-23	9612-6475-23	9612-6475-23	9612-6475-23	9612-6475-23	9612-6475-23	9612-6476-06
18	2	Screw	9612-6475-24	9612-6475-24	9612-6475-24	9612-6475-24	9612-6475-24	9612-6475-24	9612-6476-07
19	1	Bonnet	9612-6475-25	9612-6475-25	9612-6475-25	9612-6475-25	9612-6475-25	9612-6475-25	9612-6476-08
20	1	Actuator	9612-6475-26	9612-6475-26	9612-6475-26	9612-6475-26	9612-6475-26	9612-6475-26	9612-6476-09
21	1	Position indicator cpl.	9612-6475-27	9612-6475-27	9612-6475-27	9612-6475-27	9612-6475-27	9612-6475-27	9612-6475-27
22	1	ThinkTop adapter cpl.	9612-6475-28	9612-6475-28	9612-6475-28	9612-6475-28	9612-6475-28	9612-6475-28	9612-6476-10
23	2	Screw (man.)	9612-6475-29	9612-6475-29	9612-6475-29	9612-6475-29	9612-6475-29	9612-6475-29	9612-6476-11
24	1	Top plate	9612-6475-30	9612-6475-30	9612-6475-30	9612-6475-30	9612-6475-30	9612-6475-30	9612-6476-12
		Top plate for	9612-6475-31	9612-6475-31	9612-6475-31	9612-6475-31	9612-6475-31	9612-6475-31	9612-6476-13
		position indication							
25	1	Handle	9612-6475-32	9612-6475-32	9612-6475-32	9612-6475-32	9612-6475-32	9612-6475-32	9612-6476-14
		Handle for	9612-6475-33	9612-6475-33	9612-6475-33	9612-6475-33	9612-6475-33	9612-6475-33	9612-6476-15
		position indication							
26	1	Screw	9612-6475-34	9612-6475-34	9612-6475-34	9612-6475-34	9612-6475-34	9612-6475-34	9612-6476-16
Service kit product wetted seals									
◆		Service kit EPDM (std.)	9612-6477-49	9612-6477-57	9612-6477-65	9612-6477-65	9612-6477-73	9612-6477-81	9612-6477-89
◆		Service kit NBR	9612-6477-50	9612-6477-58	9612-6477-66	9612-6477-66	9612-6477-74	9612-6477-82	9612-6477-90
◆		Service kit Q	9612-6477-51	9612-6477-59	9612-6477-67	9612-6477-67	9612-6477-75	9612-6477-83	9612-6477-91
◆		Service kit FPM	9612-6477-52	9612-6477-60	9612-6477-68	9612-6477-68	9612-6477-76	9612-6477-84	9612-6477-92
Service kit all seals									
□		Service kit EPDM (std.) *	9612-6477-53	9612-6477-61	9612-64-7769	9612-6477-69	9612-6477-77	9612-6477-85	9612-6477-93
□		Service kit NBR *	9612-6477-54	9612-6477-62	9612-64-7770	9612-6477-70	9612-6477-78	9612-6477-86	9612-6477-94
□		Service kit Q *	9612-6477-55	9612-6477-63	9612-64-7771	9612-6477-71	9612-6477-79	9612-6477-87	9612-6477-95
□		Service kit FPM *	9612-6477-56	9612-6477-64	9612-64-7772	9612-6477-72	9612-6477-80	9612-6477-88	9612-6477-96

*: Including mounting tool for stem gasket unit