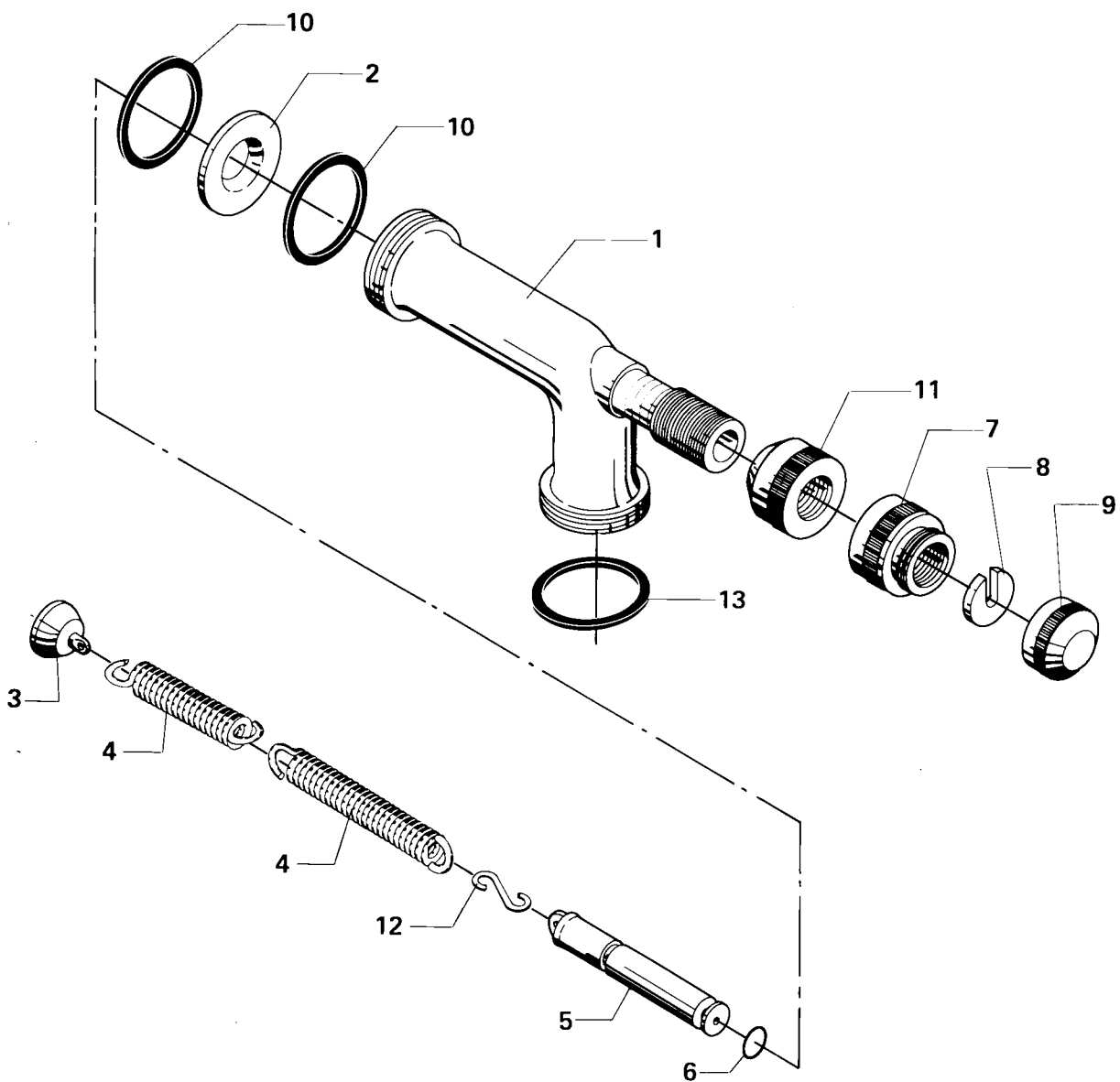


Pressure Relief Valve Type PRV



| | |
|--------------|------|
| Reg. 2.16.21 | 9805 |
| Intro. | 8301 |

Pressure Relief Valve Type PRV

AISI 316

| Pos. | Qty. | Denomination | 31348-0014-2 | 31348-0018-2 | 31348-0091-1 |
|------|------|--------------------------|---------------------|---------------------|---------------------|
| | | | PRV-A 51 mm | PRV-A 51 mm | PRV-B 51 mm |
| 1 | 1 | Valve body | 31348-0002-2 | 31348-0002-2 | 31348-0090-1 |
| 2 | 1 | Valve seat | 31348-0005-2 | 31348-0005-2 | 31348-0005-3 |
| 3 | 1 | Valve cone | 31348-0006-2 | 31348-0017-2 | 31348-0088-1 |
| 4 | 1 | Valve spring | 31348-0007-2 | 31348-0007-2 | |
| 4 | 2 | Valve spring | | | 31348-0007-2 |
| 5 | 1 | Valve spindle | 31348-0008-2 | 31348-0008-2 | 31348-0008-2 |
| 6Δ | 1 | O-ring | 223404-33 | 223404-33 | 223404-33 |
| 7 | 1 | Nut | 31348-0015-1 | 31348-0015-1 | 31348-0015-1 |
| 8 | 1 | Lock washer | 31348-0010-1 | 31348-0010-1 | 31348-0010-1 |
| 9 | 1 | Lock nut | 31348-0016-1 | 31348-0016-1 | 31348-0016-1 |
| 10Δ | 2 | Seal | 71068 | 71068 | 71068 |
| 11 | 1 | Counter nut | 31348-0012-1 | 31348-0012-1 | 31348-0012-1 |
| 12 | 1 | Spring extension | | | 31348-0089-1 |
| 13Δ | 1 | Seal | 190604 | 190604 | 190604 |
| Δ | | Service kit | 9611-92-3049 | 9611-92-3049 | 9611-92-3049 |

Parts marked with Δ are included in the **service kit**.

Recommended spare parts: **Service kit**.