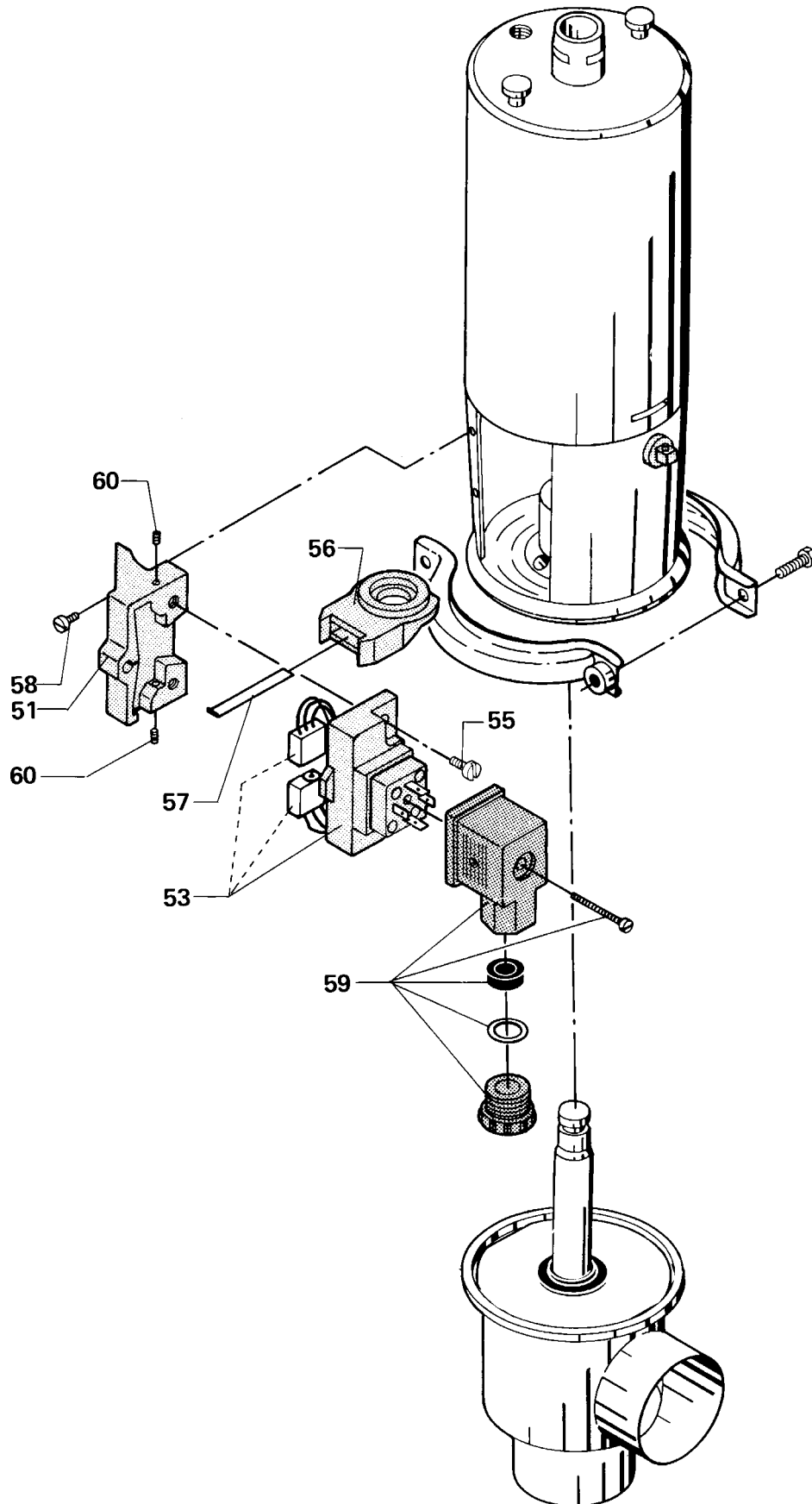


# Micro Switch Unit for Valve Type SRC

---



---

Reg. 2.24.1	9805
Intro.	8301

# Micro Switch Unit for Valve Type SRC

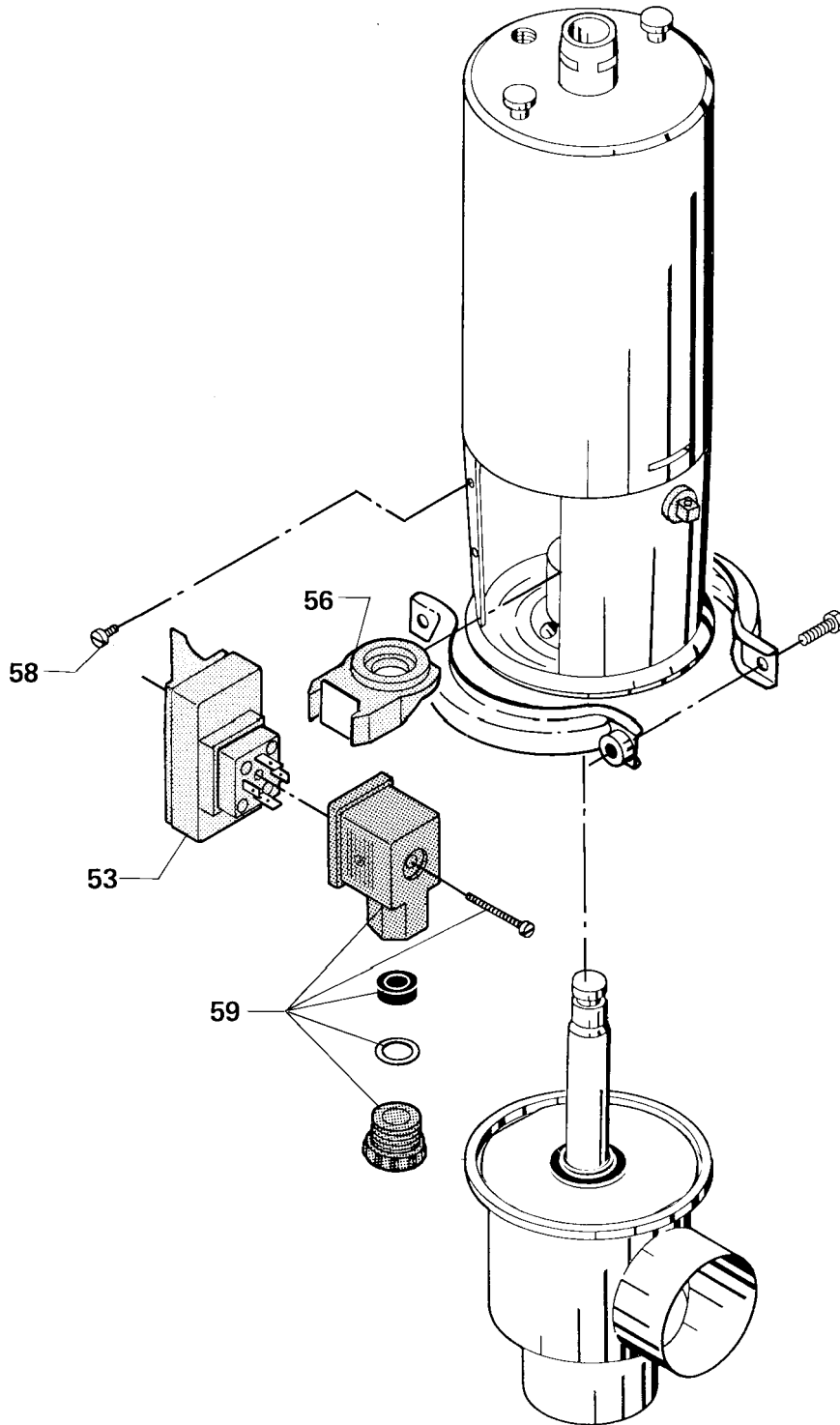
## Complete units

Pos.	Qty	Denomination		
		Micro-switch unit, complete .....	31353-0550-1	31353-0551-1
		Micro-switch lower		
		Micro-switch unit, complete .....	31353-0550-2	31353-0551-2
		Micro-switch upper and lower		
		Micro-switch unit, complete .....	31353-0550-3	31353-0551-3
		Micro-switchupper		
Pos.	Qty	Denomination	38-63.5 mm NW40 - NW65	76-101.6 mm NW80 - NW100
51	1	Holder .....	31353-0415-1	31353-0415-1
53	1	Switch unit, one (1) micro-switch .....	31353-0548-1	31353-0548-1
	1	Switch unit, two (2) micro-switches .....	31353-0548-2	31353-0548-2
55	2	Screw .....	72018	72018
56	1	Ring .....	31353-0283-1	31353-0284-1
57	1	Spring .....	31353-0510-1	31353-0510-1
58	2	Screw .....	221121-48	221121-48
59	1	Cable connector, complete for .....	31801-2122-2	31801-2122-2
		4.5 - 7 mm cable		
60	2	Adjustment screw .....	221581-92	221581-92

Recommended spare parts: Pos.57.

# Proximity Switch Unit for Valve Type SRC

---



---

Reg. 2.24.2	9805
Intro.	8301

## Proximity Switch Unit for Valve Type SRC

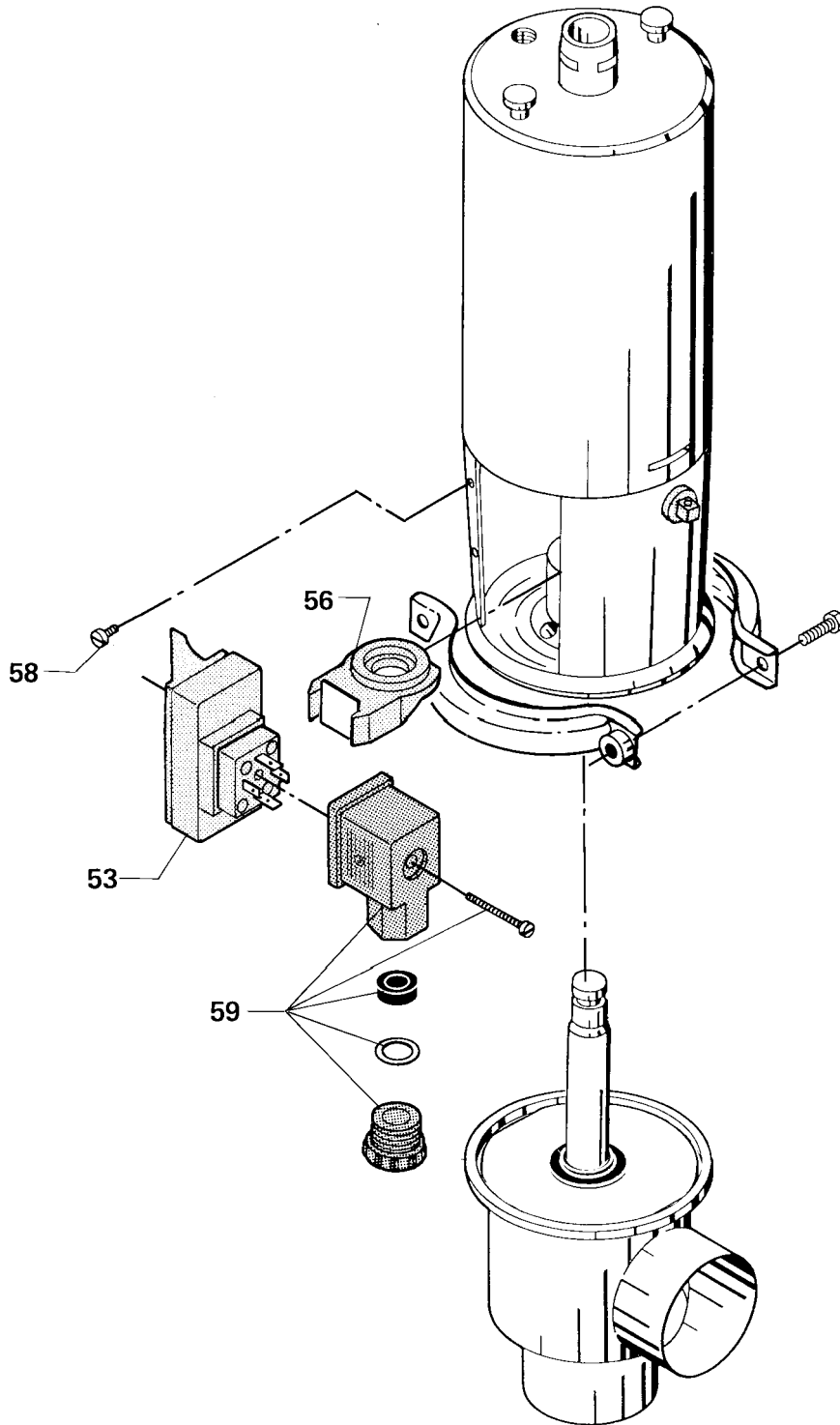
---

Change-over valve	31353-0555-1	31353-0555-3
Stop valve	31353-0555-2	31353-0555-4
Stop valve SRC-A/ARC	31353-0555-5	31353-0555-6

Pos.	Qty	Denomination	38-63.5 mm NW40 - NW65	76-101.6 mm NW80 - NW100
53	1	Switch unit, complete with 2 switches .....	31353-0554-1	31353-0554-2
56	1	Ring (grey) Change-over valve .....	31353-0660-1	31353-0661-1
56	1	Ring (black) Stop valve .....	31353-0660-2	31353-0661-2
56	1	Ring (beige) Stop valve (SRC-A/ARC) .....	31353-0660-3	31353-0661-3
58	2	Screw .....	221121-48	221121-06
59	1	Cable connector, complete for .....	31801-2122-2	31801-2122-2
		4.5 - 7 mm cable		

# Inductive Proximity Switch Unit for Valve Type IFM, PNP/NPN SRC/ARC

---



---

Reg. 2.24.3	9805
Intro.	9805

## Inductive Proximity Switch Unit for Valve Type IFM, PNP/NPN SRC/ARC

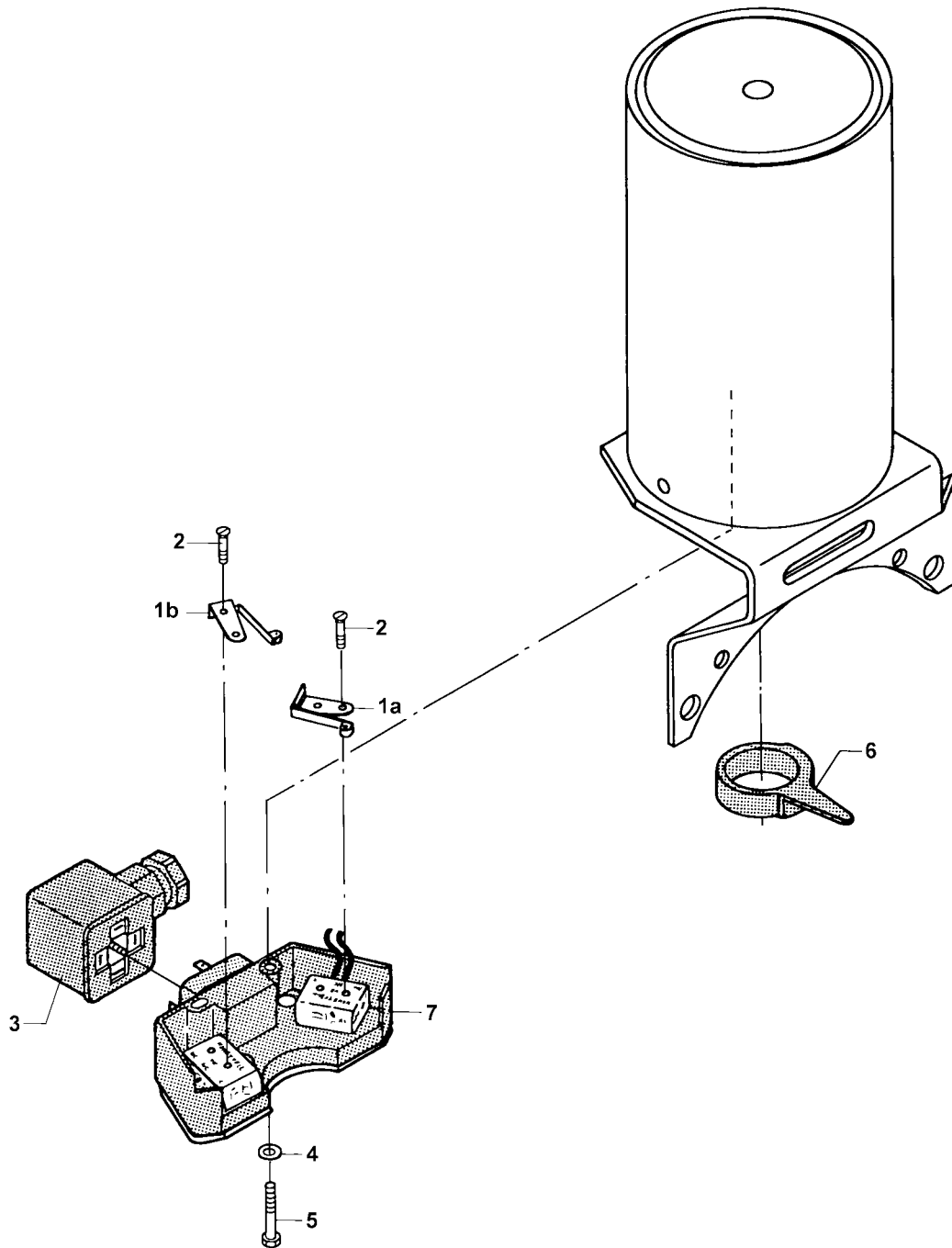
---

Change-over valve SRC/ARC	9612-4660-05	9612-4660-06
Stop valve SRC	9612-4660-01	9612-4660-02
Stop valve ARC	9612-4660-03	9612-4660-04

Pos.	Qty	Denomination	38-63.5 mm NW40 - NW65	76-101.6 mm NW80 - NW100
53	1	Switch unit, complete with 2 switches .....	9612-4560-01	9612-4560-02
56	1	Ring (grey) Change-over valve .....	31353-0660-1	31353-0661-1
56	1	Ring (black) Stop valve SRC .....	31353-0660-2	31353-0661-2
56	1	Ring (beige) Stop valve ARC .....	31353-0660-3	31353-0661-3
58	2	Screw .....	221121-06	221121-06
59	1	Cable connector, complete for .....	31801-2122-2	31801-2122-2
		4.5 - 7 mm cable		

# Micro-Switch Unit for Air-Actuator type LKLA

---



---

Reg. 2.24.4	9805
Intro.	8301

## Micro-Switch Unit for Air-Actuator type LKLA

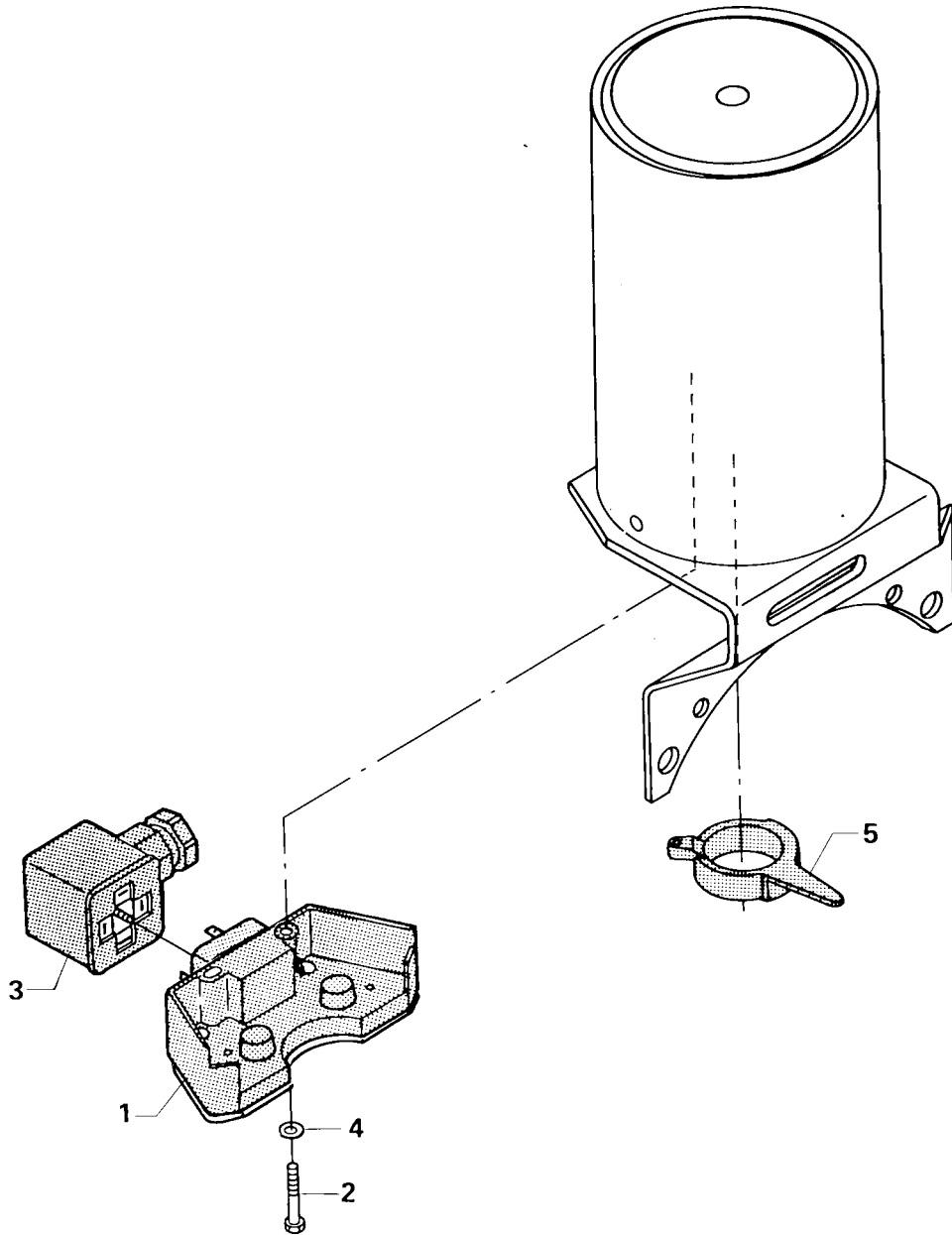
---

Pos.	Qty	Denomination	9611-41-671-0 25-101.6 mm NW 25 - NW 100
1a	1	Arm for micro-switch .....	9611-99-2542
1b	1	Arm for micro-switch .....	9611-99-0824
2	2	Screw .....	9611-99-0230
3	1	Fermale plug .....	9611-99-1243
4	2	Washer .....	9611-99-0800
5	2	Hexagon screw .....	9611-99-1239
6	1	Activating ring with screw .....	9611-41-669-0 (Not included in the complete micro-switch unit)
7	1	Complete micro-switch unit .....	
		Please order new complete micro-switch unit	



# Proximity-Switch Unit Inductive

---



---

Reg. 2.24.5	9805
Intro.	8301

# Proximity-Switch Unit Inductive

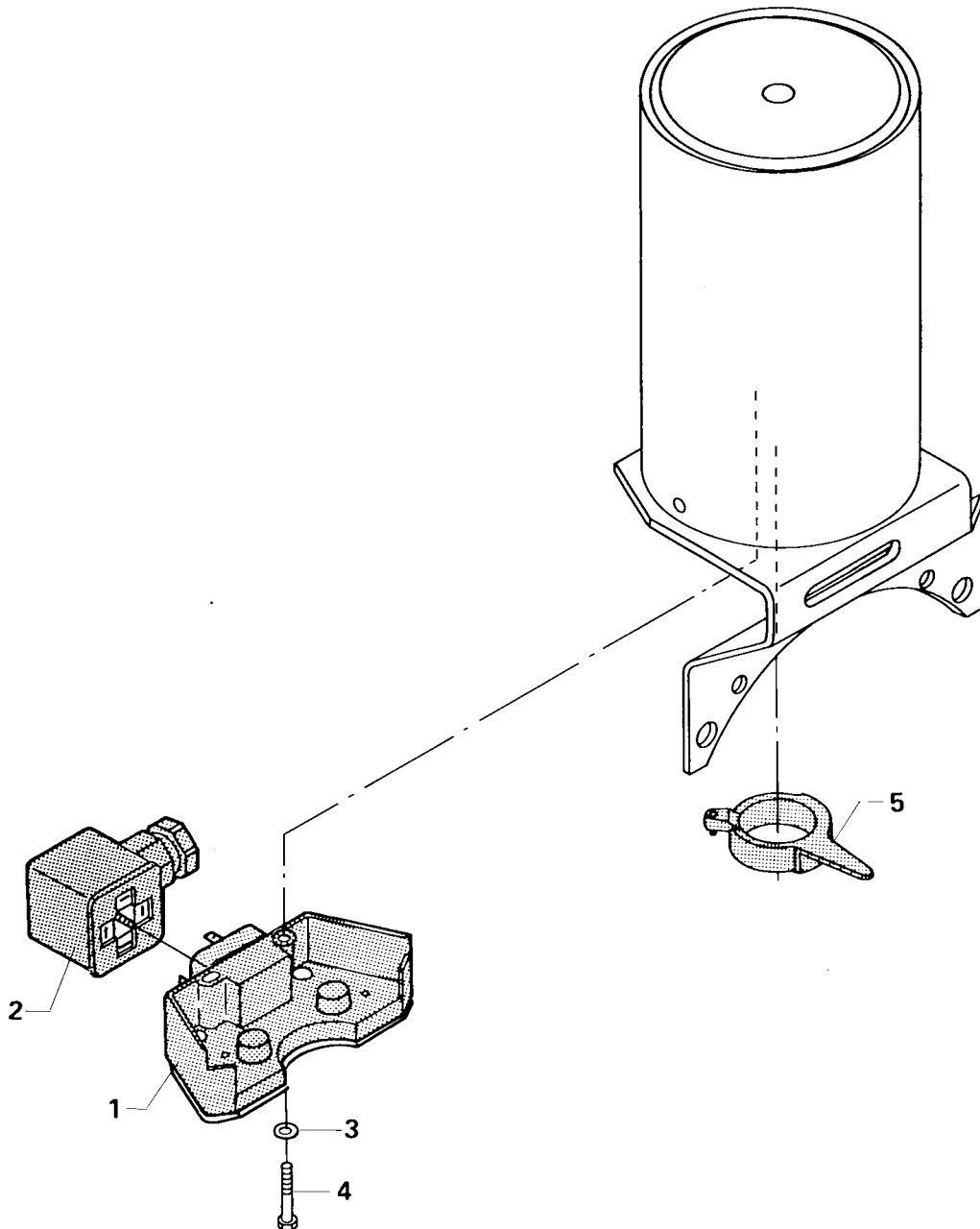
---

**9611-41-672-0**  
**25 - 101.6 mm**  
**NW 25 - NW 100**

<b>Pos.</b>	<b>Qty</b>	<b>Denomination</b>	
1	1	Proximity-switch unit .....	
		Please order new complete proximity-switch unit	
2	2	Hexagon screw .....	9611-99-1239
3	1	Fermale plug .....	9611-99-1243
4	2	Washer .....	9611-99-0800
5	1	Activating ring with screw .....	9611-41-670-0 (Not included in the complete Proximity-Switch Unit)

# Hall Proximity Switch Unit

---



---

Reg. 2.24.6	9805
Intro.	8301

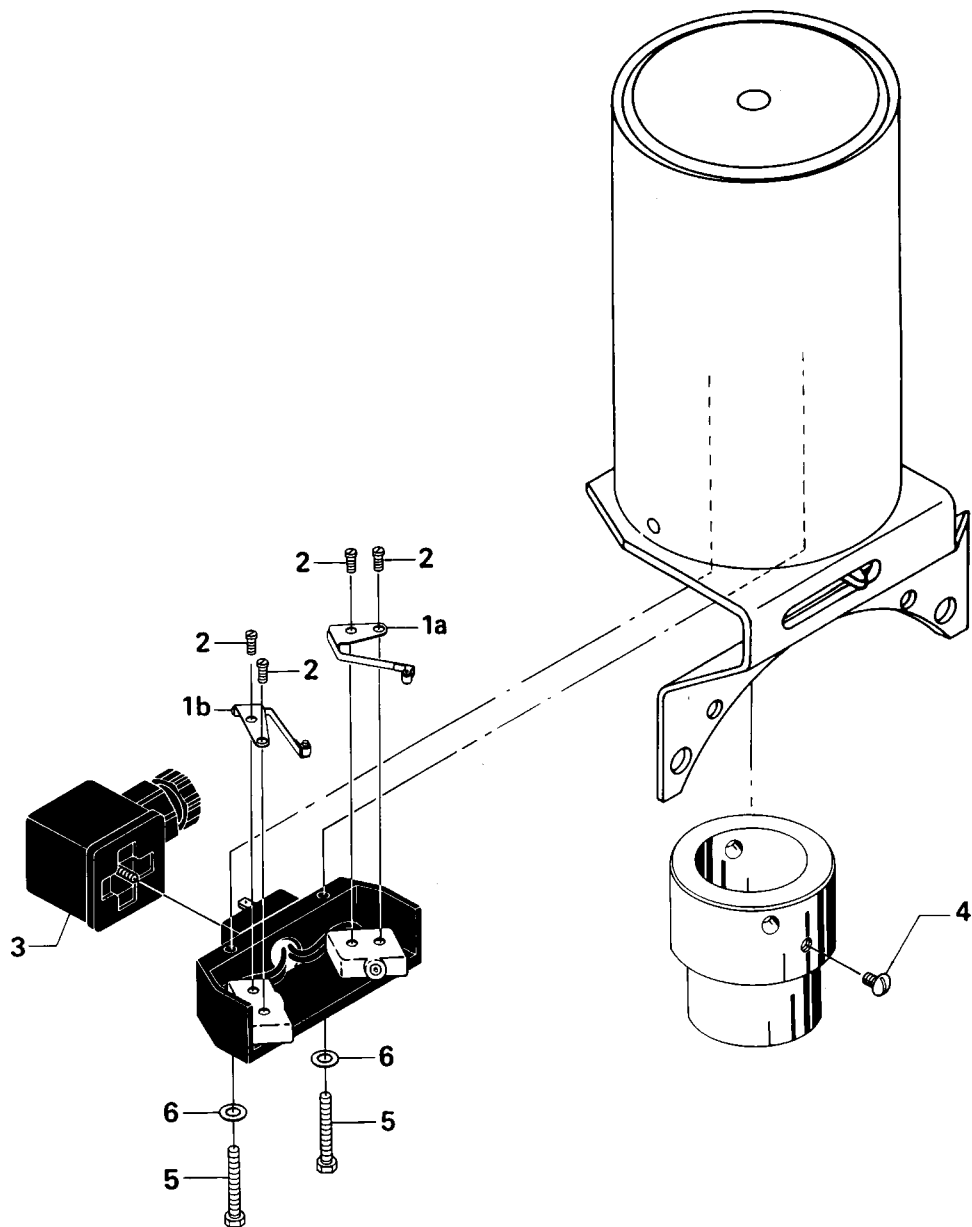
# Hall Proximity Switch Unit

**9611-41-672-5**  
**9611-41-672-3 9611-41-672-6**  
**9611-41-672-1 9611-41-672-4**  
**25-101.6 mm 9611-41-672-2**  
**NW 25-NW 100 NW 150**

Pos.	Qty	Denomination		
1	1	Housing, complete, Hall-sensor, NPN 5-24 VDC (yellow) .....		
		Please order new complete Hall Proximity-switch unit		
	1	Housing, complete, Hall-sensor, PNP 5-24 VDC (green) .....		
		Please order new complete Hall Proximity-switch unit		
	1	Housing, complete, Hall-sensor, PNP 20-30 VDC (grey) .....		
		Please order new complete Hall Proximity-switch unit		
2	1	Fermale plug .....	9611-99-1243	9611-99-1243
3	2	Washer .....	9611-99-0800	9611-99-0800
4	2	Hexagon screw .....	9611-99-1239	9611-99-1239
5	1	Activating ring with magnet	9611-41-687-0	9611-41-666-0 (Not included in the complete Proximity-Switch Unit)

# Micro-Switch Unit for Air Actuator LKLA $\varnothing$ 133

---



---

Reg. 2.24.7	9805
Intro.	8209

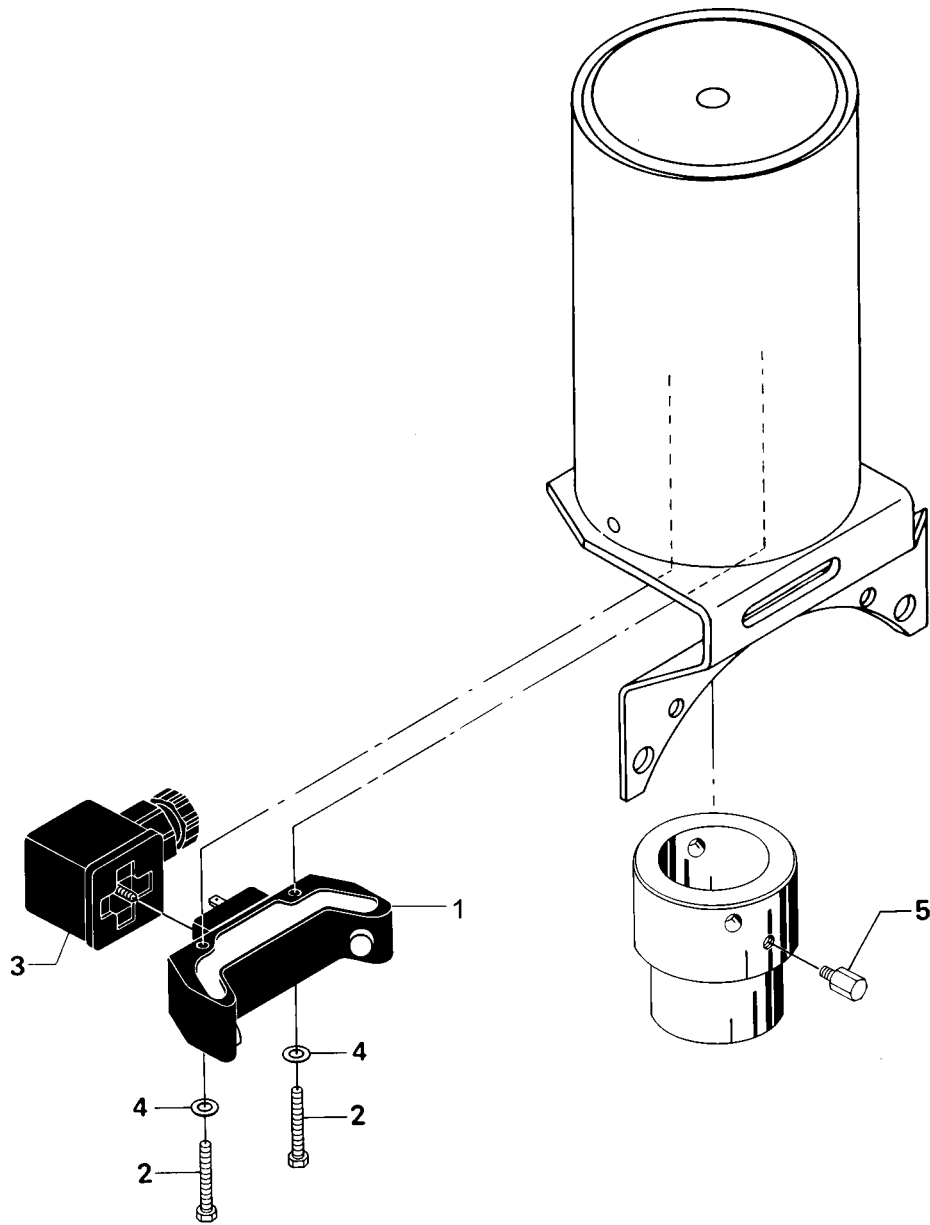
# Micro-Switch Unit for Air Actuator LKLA ø133

---

Pos.	Qty.	Denomination	9612-2857-01 101.6 mm NW100-150
1a	1	Arm for micro-switch .....	9611-99-2542
1b	1	Arm for micro-switch .....	9611-99-0824
2	4	Screw .....	9611-99-0230
3	1	Female plug .....	9611-99-1243
4	1	Indication screw .....	9612-2860-01
5	2	Screw .....	9611-99-1239
6	2	Washer .....	9611-99-0800
7	1	Complete micro-switch unit .....	
		Please order new complete micro-switch unit	

# Proximity Switches for for Air Actuator LKLA $\varnothing$ 133

---



---

Reg. 2.24.8	9805
Intro.	8209

# Proximity Switches for for Air Actuator LKLA ø133

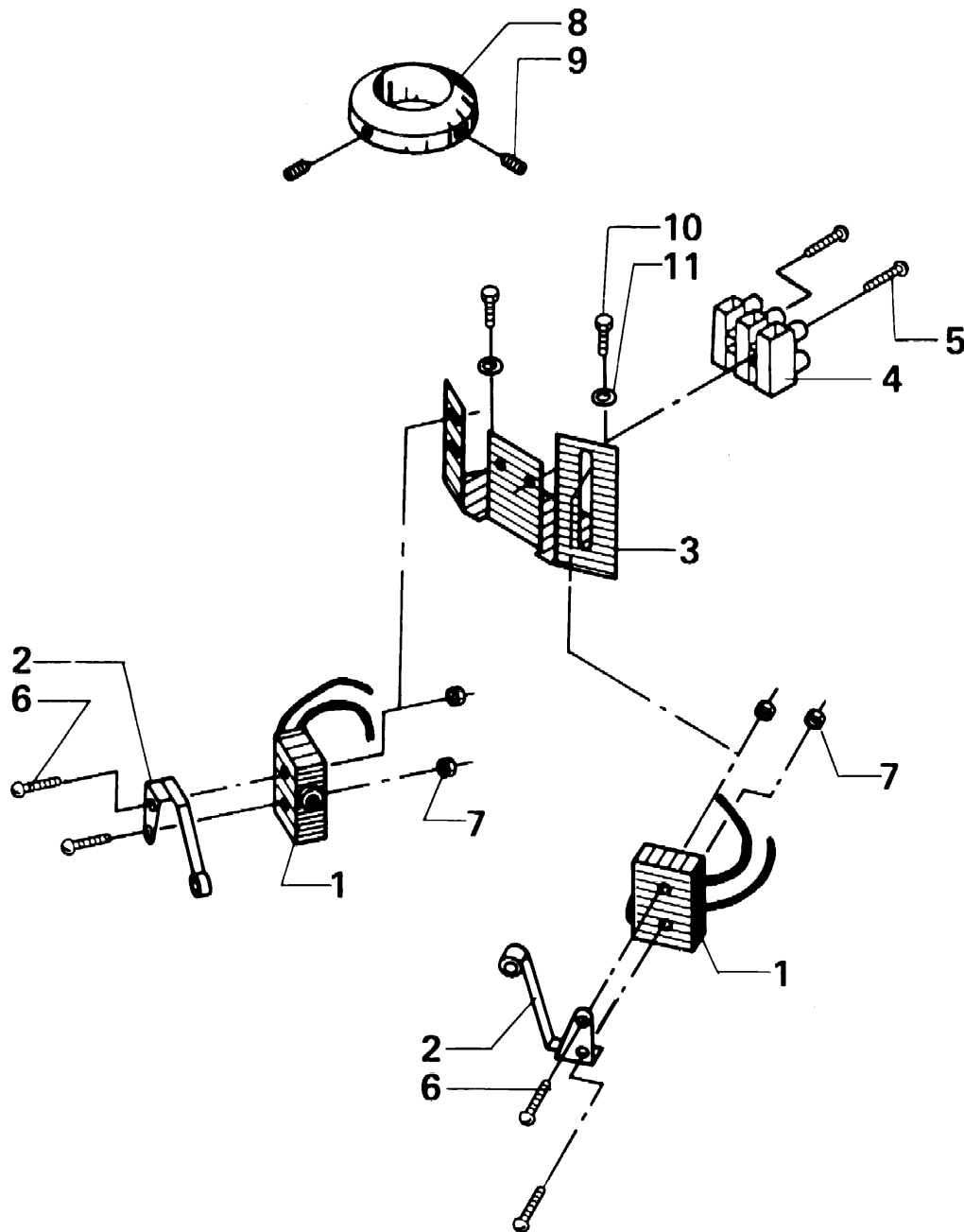
---

Pos.	Qty.	Denomination	9612-2858-04 9612-2858-03 9612-2858-02 101.6 mm NW100-150 w. Hall Sensors	9612-2858-01 101.6 mm NW100-150 w. Inductive Sensors
1	1	Complete proximity-switch unit .....		
		Please order new complete proximity-switch unit		
2	2	Screw .....	9611-99-1239	9611-99-1239
3	1	Female plug .....	9611-99-1243	9611-99-1243
4	2	Washer .....	9611-99-0800	9611-99-0800
5	1	Screw .....	9612-2855-01	9612-0392-01



# Micro-Switch Unit for Valve type LKAB

---



---

Reg. 2.24.9	9805
Intro.	8106

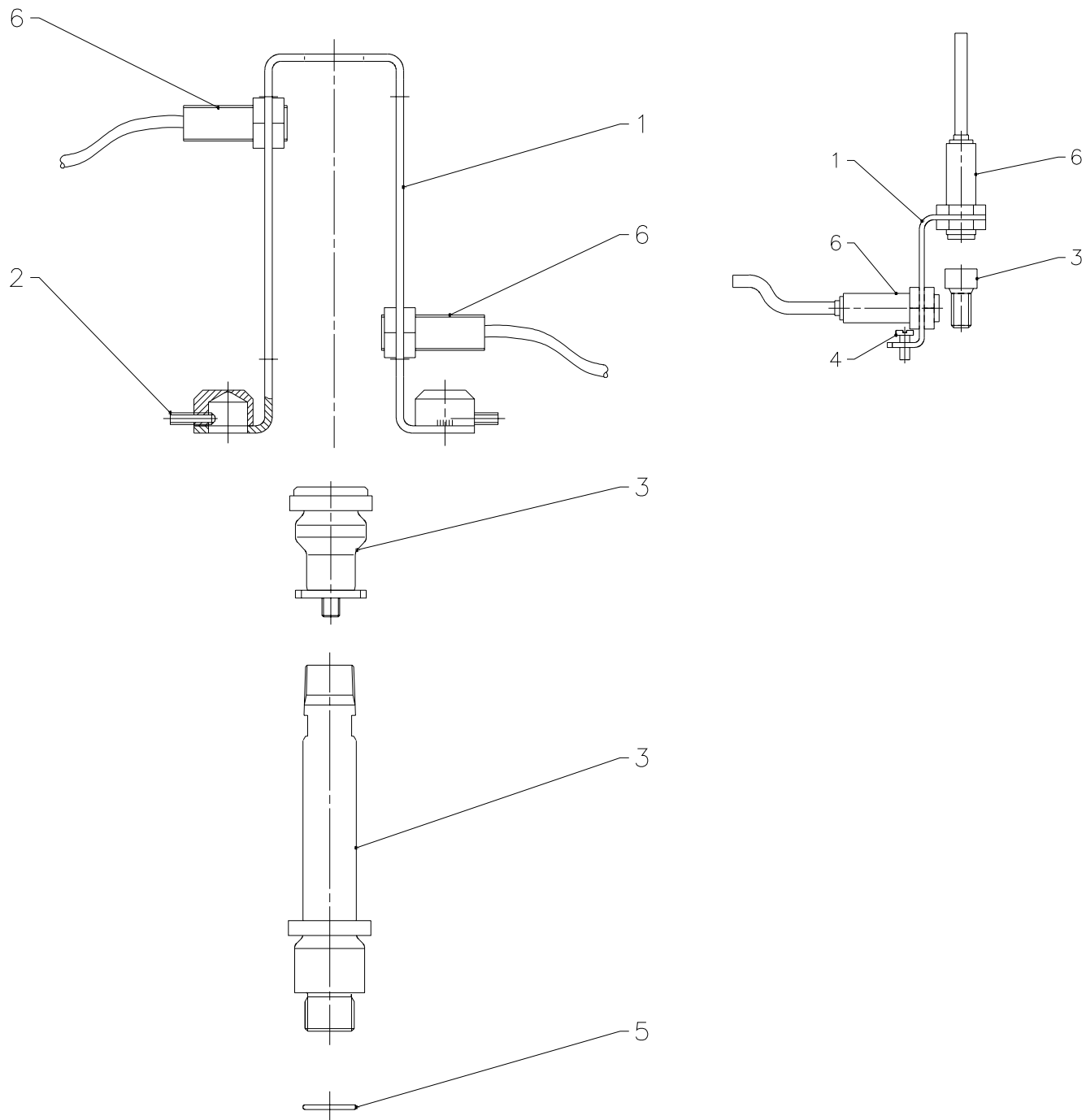
## Micro-Switch Unit for Valve type LKAB

Pos.	Qty.	Denomination	9611-40-0874	9611-40-0875
			38-51 mm 63.5 mm	76 mm 101.6 mm
		Micro-switch complete included pos. 1-7 .....	9611-97-0003	9611-97-0003
1	2	Micro-switch .....	9611-99-1190	9611-99-1190
2	2	Arm for micro-switch .....	9611-99-0824	9611-99-0824
3	1	Retaining plate .....	9611-40-2579	9611-40-2579
4	3	Terminal strip .....	9611-99-0817	9611-99-0817
5	2	Screw .....	9611-99-0383	9611-99-0383
6	4	Screw .....	9611-99-0230	9611-99-0230
7	4	Nut .....	9611-99-0492	9611-99-0492
8	1	Activating ring .....	9611-40-2580	9611-40-2581
9	2	Screw .....	9611-99-0300	9611-99-0300
10	2	Screw .....	9611-99-0218	9611-99-0218
11	1	Washer .....	9611-99-0710	9611-99-0710

# Bracket System Complet

LKAP, SMP-EC, SRC, SRC-LS, ARC, SMP-SC, SMP-BC, LKLA-T

---



---

Reg. 2.24.10	2000-01
Intro.	9805

# Bracket System Complete

## LKAP, SMP-EC, SRC, SRC-LS, ARC, SMP-BC, SMP-SC, LKLA-T

---

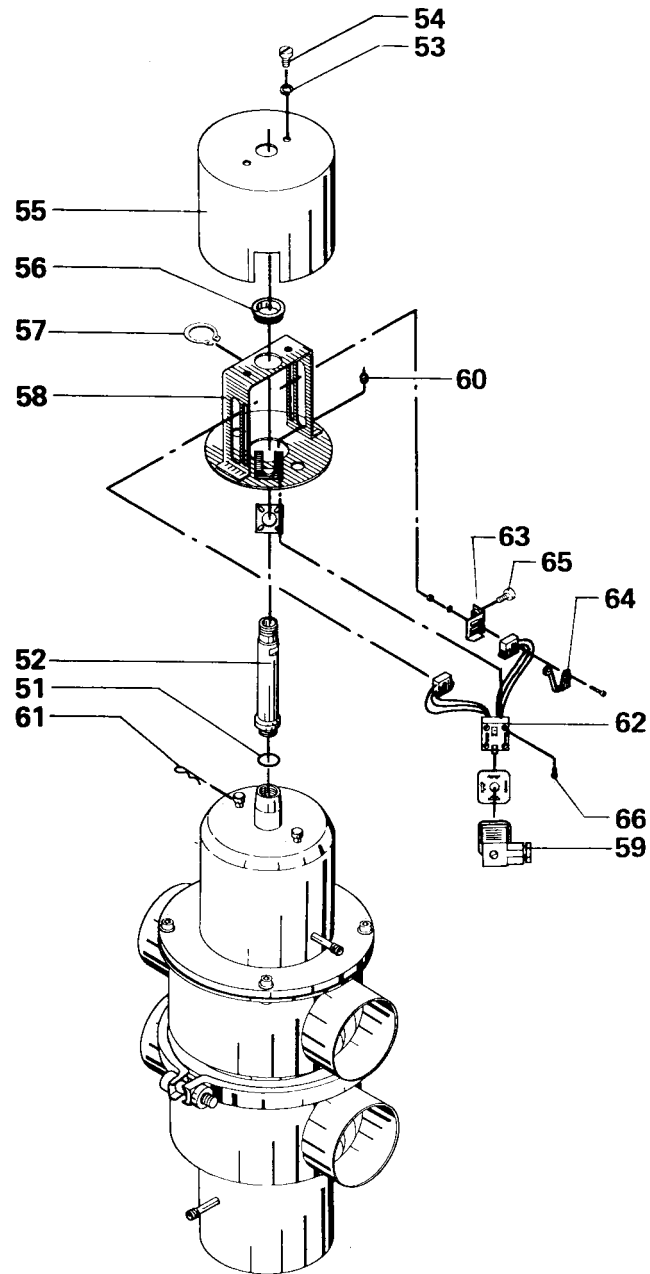
Pos.	Qty.	Denomination	LKAP	SMP-EC	SRC, SRC-LS ARC, SMP-BC SMP-SC, LKLA-T
	1	Bracket complete .....	9612-4989-01	9612-4112-01	9612-4112-02
1	1	Bracket .....	9612-4926-01	9612-4113-01	9612-4113-01
2	2	Pointed screw .....		9611-99-1756	9611-99-1756
3	1	Indication Pin .....	9611-99-2633	9612-0851-02	9612-4117-01
4	2	Screw .....	9611-99-0337		
5	1	O-ring .....		223403-80	
6		Sensor Pepperl & Fuchs .....	9611-99-1938	9611-99-1938	9611-99-1938
		Sensor IFM-IF 5718 .....	9611-99-2900	9611-99-2900	9611-99-2900

TD 900-087/1

# Micro Switch Unit for Valve Type SMP-EC

---

Not manufactured anymore



---

Reg. 2.24.11	9805
Intro.	8301

# Micro Switch Unit for Valve Type SMP-EC

## Complete units

Pos.	Qty.	Denomination
		Micro-switch unit, complete
		Micro-switch up or down ..... 31357-0470-1
		Micro-switch unit, complete
		Micro-switch up and down ..... 31357-0470-2

## Parts used

Pos.	Qty.	Denomination
51	1	O-ring ..... 223403-80
52	1	Extension ..... 31357-0473-1
53	2	Spring washer ..... 223107-25
54	2	Screw ..... 221131-03
55	1	Cover ..... 31357-0472-1
56	1	Bushing ..... 31357-0474-1
57	1	Snap ring ..... 519975-05
58	1	Frame ..... 31357-0475-1
59	1	Cable connector, complete for 4,5-7mm cable ..... 31801-2122-2
60	2	Nut ..... 221803-25
61	2	Clip ..... 31357-0593-1
62	1	Switch unit, Micro-switch up or down ..... 31357-0476-1
	1	Switch unit, Micro-switches up and down ..... 31357-0476-2
63	1	*(2) Holder ..... 31357-0477-1
64	1	*(2) Arm with roller, compl ..... 31357-0478-1
65	2	*(4) Screw ..... 221121-48
66	2	Screw ..... 221216-04

\*Fig. in letters are valid for two micro-switches.

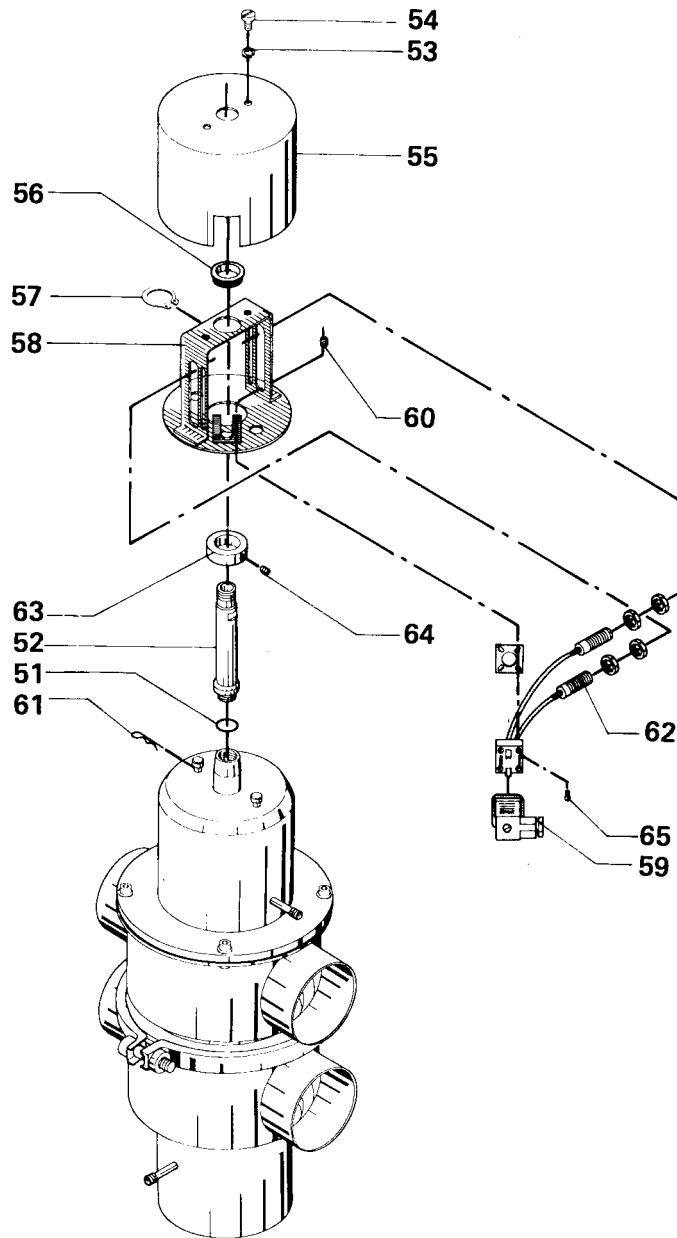
Not manufactured anymore

Recommended spare parts: Pos. 51,56,57,59,61 and 62.

# Proximity Switch Unit for Valve Type SMP-EC

---

Not manufactured anymore



---

Reg. 2.24.12	9805
Intro.	8301

# Proximity Switch Unit for Valve Type SMP-EC

## Complete units

Pos.	Qty.	Denomination
		Proximity switch unit, complete proximity switch up or down ..... 31357-0471-1
		Proximity switch unit, complete proximity switch up and down ..... 31357-0471-2

## Parts used

Pos.	Qty.	Denomination
51	1	O-ring ..... 223403-80
52	1	Extension ..... 31357-0473-1
53	2	Spring washer ..... 223107-25
54	2	Screw ..... 221131-03
55	1	Cover ..... 31357-0472-1
56	1	Bushing ..... 31357-0474-1
57	1	Snap ring ..... 519975-05
58	1	Frame ..... 31357-0475-1
59	1	Cable connector, complete for 4.5-7mm cable ..... 31801-2122-2
60	2	Nut ..... 221803-25
61	2	Clip ..... 31357-0593-1
62	1	Switch unit, Proximity switch up or down ..... 31357-0479-1
	1	Switch unit, Proximity switches up and down ..... 31357-0479-2
63	1	Activation ring ..... 31357-0480-1
64	2	Screw ..... 260080-35
65	2	Screw ..... 221216-04

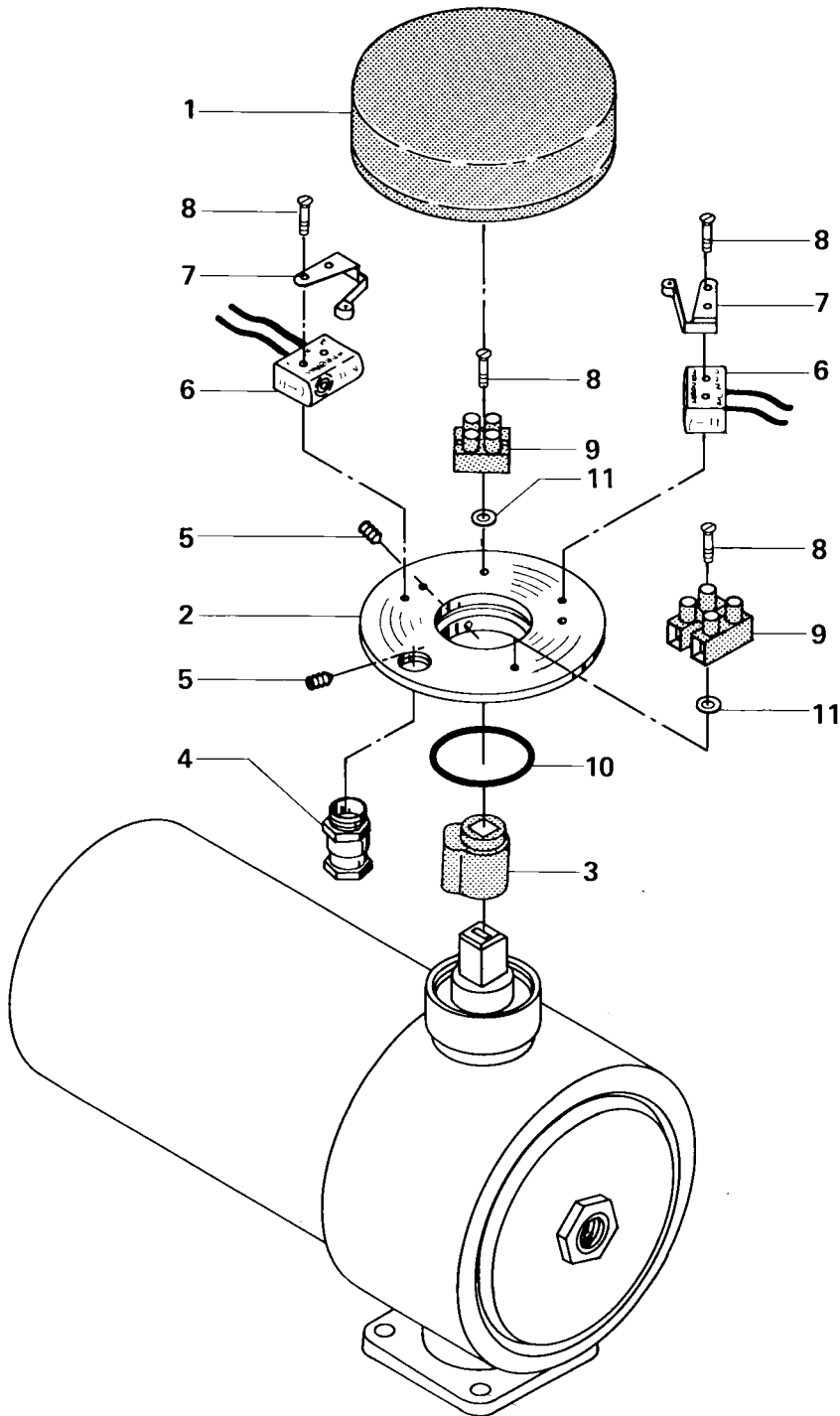
Not manufactured anymore

Recommended spare parts: Pos 51,56,57,59,61 and 62.



# Micro-Switch Unit for Air-Actuator types D80 & D96

Not manufactured anymore



Reg. 2.24.13	9712
Intro.	7701

## Micro-Switch Unit for Air-Actuator types D80 & D96

---

Pos.	Qty.	Denomination	9611-41-054-0
1	1	Cap for switch unit .....	9611-41-055-0
2	1	Bottom plate .....	9611-41-056-0
3	1	Eccentric for switch unit .....	9611-41-057-0
4	1	Screwed gable inlet .....	9611-99-1156
5	2	Allen pointed screw .....	9611-99-0296
6	2	Micro-switch .....	9611-99-1190
7	2	Arm for micro-switch .....	9611-99-0824
8	6	Screw .....	9611-99-1177
9	4	Terminal .....	9611-99-0817
10	1	O-ring, NBR .....	9611-99-0010
11	2	Washer .....	9611-99-0755

Not manufactured anymore