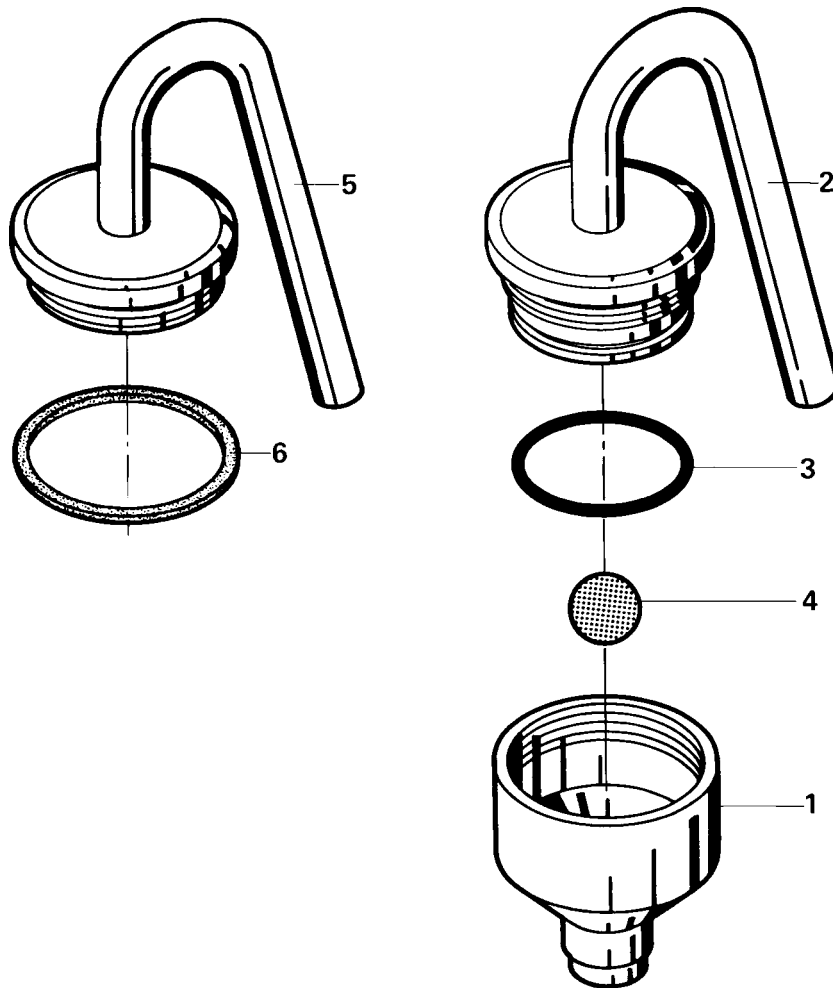


# Air Release Valve Type LKUV-1

---



---

Reg. 2.16.18	9805
Intro.	8301

# Air Release Valve Type LKUV-1

Pos.	Qty.	Denomination	9611-20-104-0
1	1	Valve body .....	9611-20-105-0
2	1	Top section for O-ring (Period 8811- ) .....	9611-20-106-0
3*	1	O-ring (Period 8811- ) .....	9611-99-0010
4 <sup>Δ</sup> *	1	Ball .....	9611-99-1144
5	1	Top section for fibre seal (Period 8208-8810 Canceled)	
6 <sup>Δ</sup>	1	Fibre seal (Period 8208-8810) .....	9611-99-0195
Δ		<b>Service kit .....</b>	<b>9611-92-4043</b>
*		<b>Service kit .....</b>	<b>9611-92-4044</b>

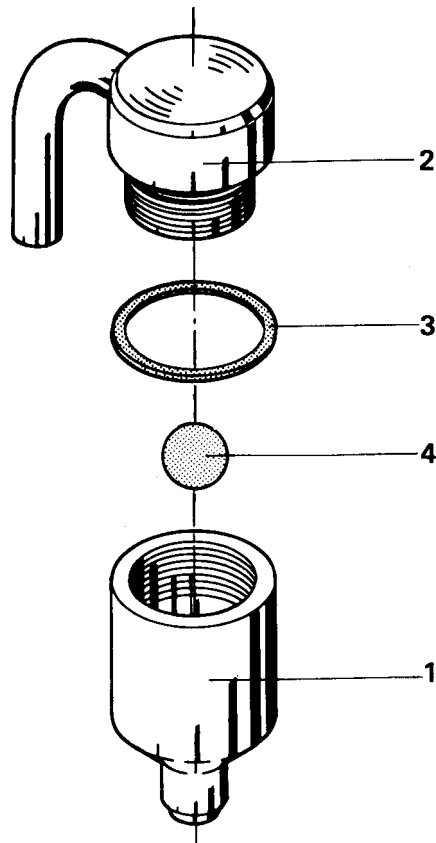
Parts marked with <sup>Δ</sup>/<sub>\*</sub> are included in the **service kit**.

Recommended spare parts: **Service kits**.

**Air Release Valve  
Type LKUV**

---

Not manufactured anymore



---

Reg. 2.16.19	9805
Intro.	8301

# Air Release Valve Type LKUV

---

AISI 304

Pos.	Qty.	Denomination	9611-20-0001
1	1	Valve body .....	9611-20-2001
2	1	Top section .....	9611-20-2002
3 <sup>Δ</sup>	1	Seal (Fibre) .....	9611-99-0195
4 <sup>Δ</sup>	1	Ball .....	9611-99-1144
Δ		<b>Service kit .....</b>	<b>9611-92-4043</b>

Parts marked with <sup>Δ</sup> are included in the **service kit**.

Not manufactured anymore

Recommended spare parts: **Service kit**.