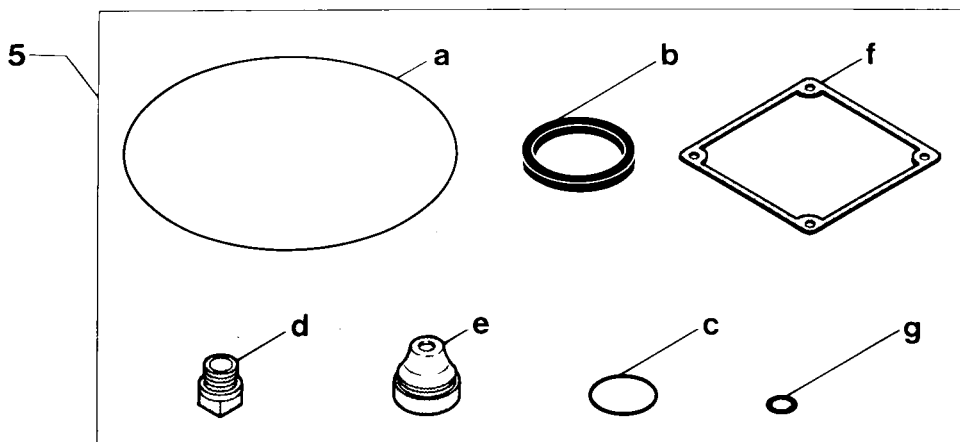
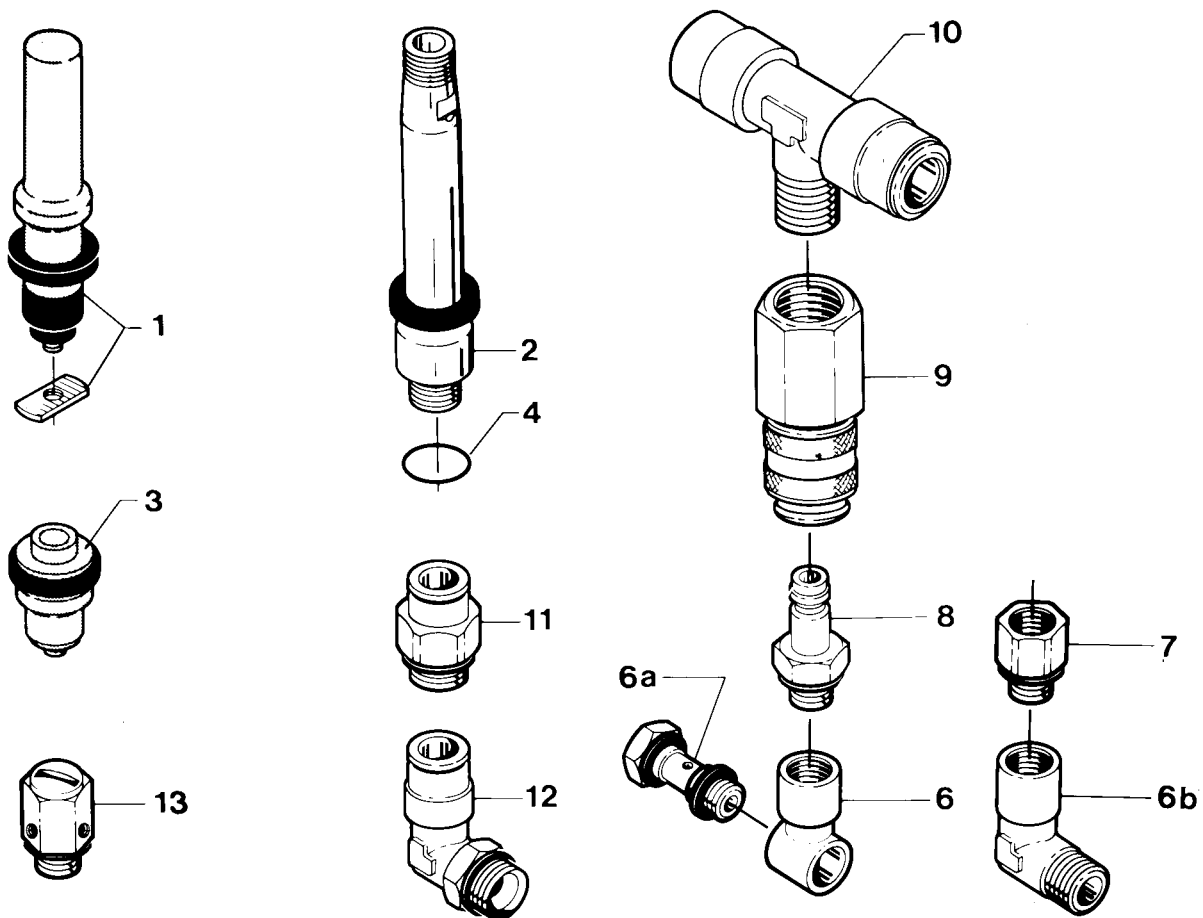


Top Unit  
type LKT-S

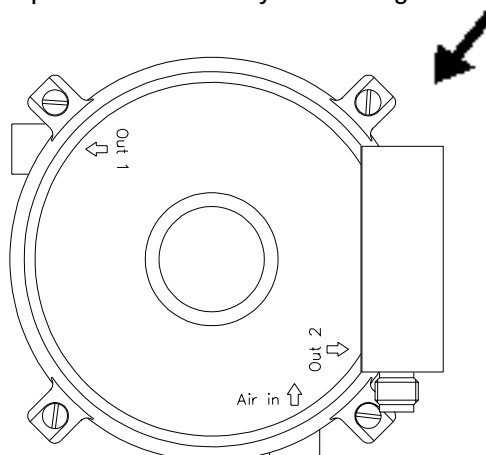


Reg. 2.22.1	9805
Intro.	9304

Pos.	Qty.	Denomination	SRC ARC SMP-SC SMP-BC	SMP-EC	LKLA-T	SMP-SC Spillage- free/SMP-TO 5-6" SRC/ARC/ SMP-BC/SMP-SC
1	1	Extension set for Hall proximity switches .....	9612-3065-01			
2	1	Extension for Hall proximity switches .....		9612-0851-01		
3	1	Extension for Hall proximity switches .....			9612-1938-01	9612-4117-02
4	1	O-ring, EPDM .....		223403-80		
5	1	Fittings and seals set .....	9611-92-0182	9611-92-0182	9611-92-0182	9611-92-0182
a	1	O-ring, NBR .....	9611-99-2704	9611-99-2704	9611-99-2704	9611-99-2704
b	1	Quad-ring, NBR .....	9611-99-2656	9611-99-2656	9611-99-2656	9611-99-2656
c	1	O-ring, NBR .....	9611-99-2129	9611-99-2129	9611-99-2129	9611-99-2129
d	1	Plug R 1/8" (BSP) .....	9611-99-1221	9611-99-1221	9611-99-1221	9611-99-1221
e	1	Seal for air tube .....	9611-99-2121	9611-99-2121	9611-99-2121	9611-99-2121
f	1	Seal for LKT-S box .....	9612-0854-01	9612-0854-01	9612-0854-01	9612-0854-01
g	1	Seal for screw .....	9611-99-2775	9611-99-2775	9611-99-2775	9611-99-2775
6	1	Air fitting (Periode 9408 - ) .....	9611-99-2911	9611-99-2911	9611-99-2911	9611-99-2911
6a	1	Air fitting (Periode 9408 - ) .....	9611-99-2912	9611-99-2912	9611-99-2912	9611-99-2912
6b	1	Air fitting (Periode 9304-9408) .....	9611-99-2122	9611-99-2122	9611-99-2122	9611-99-2122
7	1	Pipe bushing (Periode 9304-9408) .....	9611-99-2521	9611-99-2521	9611-99-2521	9611-99-2521
8	1	Quick coupling / male .....	9611-99-2124	9611-99-2124	9611-99-2124	9611-99-2124
9	1	Quick coupling / female .....	9611-99-2123	9611-99-2123	9611-99-2123	9611-99-2123
10	1	Air fitting, tee .....	9611-99-2125	9611-99-2125	9611-99-2125	9611-99-2125
11	1	Air fitting .....	9611-99-1987	9611-99-1987	9611-99-1987	9611-99-1987
12	1	Swivel air fitting, 90° .....	9611-99-1988	9611-99-1988	9611-99-1988	9611-99-1988
13	1	Safety valve .....	9611-99-2928	9611-99-2928	9611-99-2928	9611-99-2928

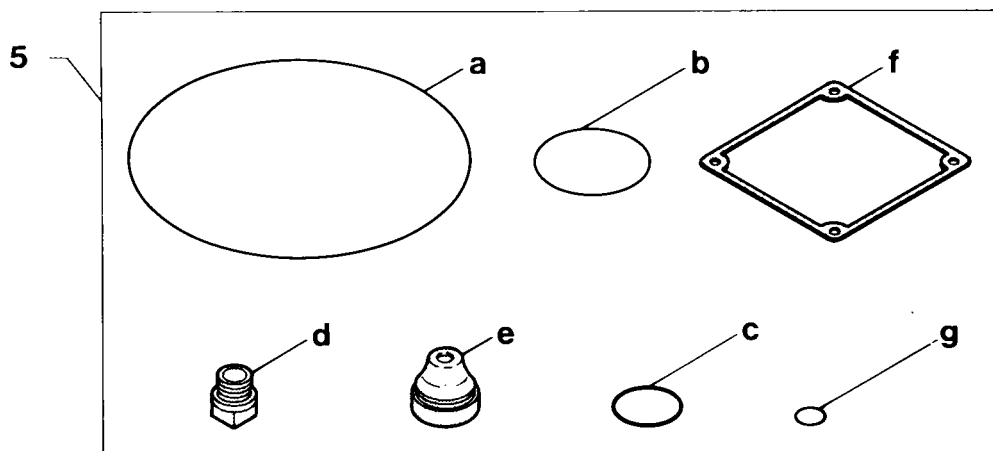
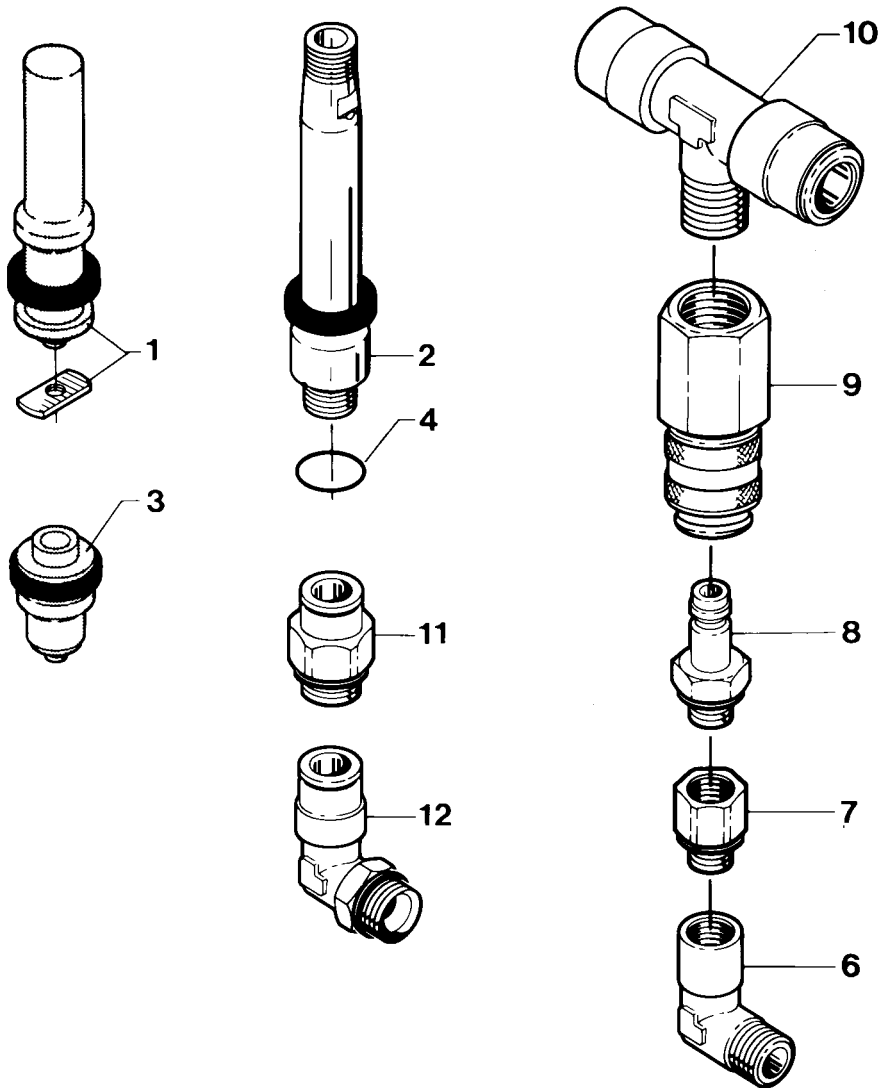
### Identification:

The top unit is identified by 4 fastening screws.



TD 431-011

Not manufactured anymore

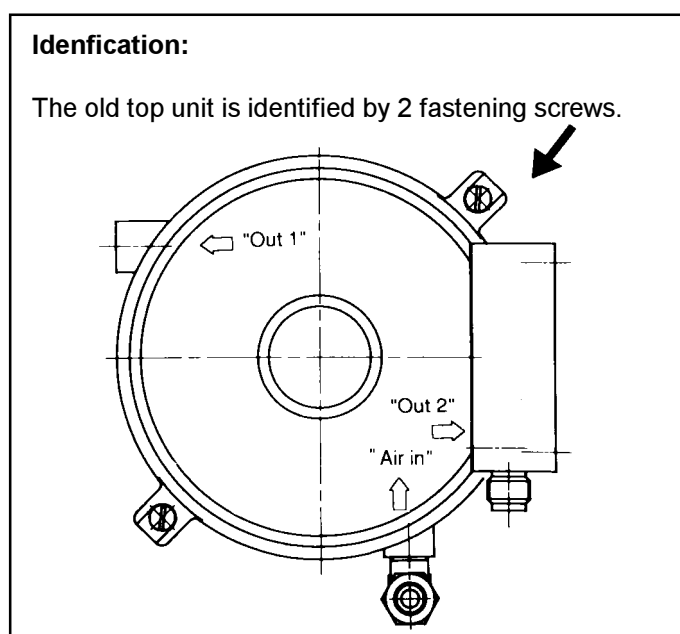


Reg. 2.22.2	9805
Intro.	9109

Pos.	Qty.	Denomination	SRC ARC		
			SMP-SC	SMP-EC	LKLA-T
1	1	Extension set for Hall proximity switches .....	9611-92-0051		
2	1	Extension for Hall proximity switches .....		9612-0851-01	
3	1	Extension for Hall proximity switches .....			9612-1938-01
4	1	O-ring, EPDM .....		223403-80	
5	1	Fittings and seals set .....	9611-92-0053	9611-92-0053	9611-92-0053
a	1	O-ring, NBR .....	9611-99-2604	9611-99-2604	9611-99-2604
b	1	O-ring, NBR .....	9611-99-1749	9611-99-1749	9611-99-1749
c	1	O-ring, NBR .....	9611-99-2129	9611-99-2129	9611-99-2129
d	1	Plug R 1/8" (BSP) .....	9611-99-1221	9611-99-1221	9611-99-1221
e	1	Seal for air tube .....	9611-99-2121	9611-99-2121	9611-99-2121
f	1	Seal for LKT-S box .....	9612-0854-01	9612-0854-01	9612-0854-01
g	1	Seal for screw .....	9611-99-2775	9611-99-2775	9611-99-2775
6	1	Air fitting 90° .....	9611-99-2122	9611-99-2122	9611-99-2122
7	1	Pipe bushing .....	9611-99-2521	9611-99-2521	9611-99-2521
8	1	Quick coupling / male .....	9611-99-2124	9611-99-2124	9611-99-2124
9	1	Quick coupling / female .....	9611-99-2123	9611-99-2123	9611-99-2123
10	1	Air fitting, tee .....	9611-99-2125	9611-99-2125	9611-99-2125
11	1	Air fitting .....	9611-99-1987	9611-99-1987	9611-99-1987
12	1	Swivel air fitting,90° .....	9611-99-1988	9611-99-1988	9611-99-1988

Not manufactured anymore

**CAUTION:** This Spare parts list is only valid for the old version.



Period 9010-9304