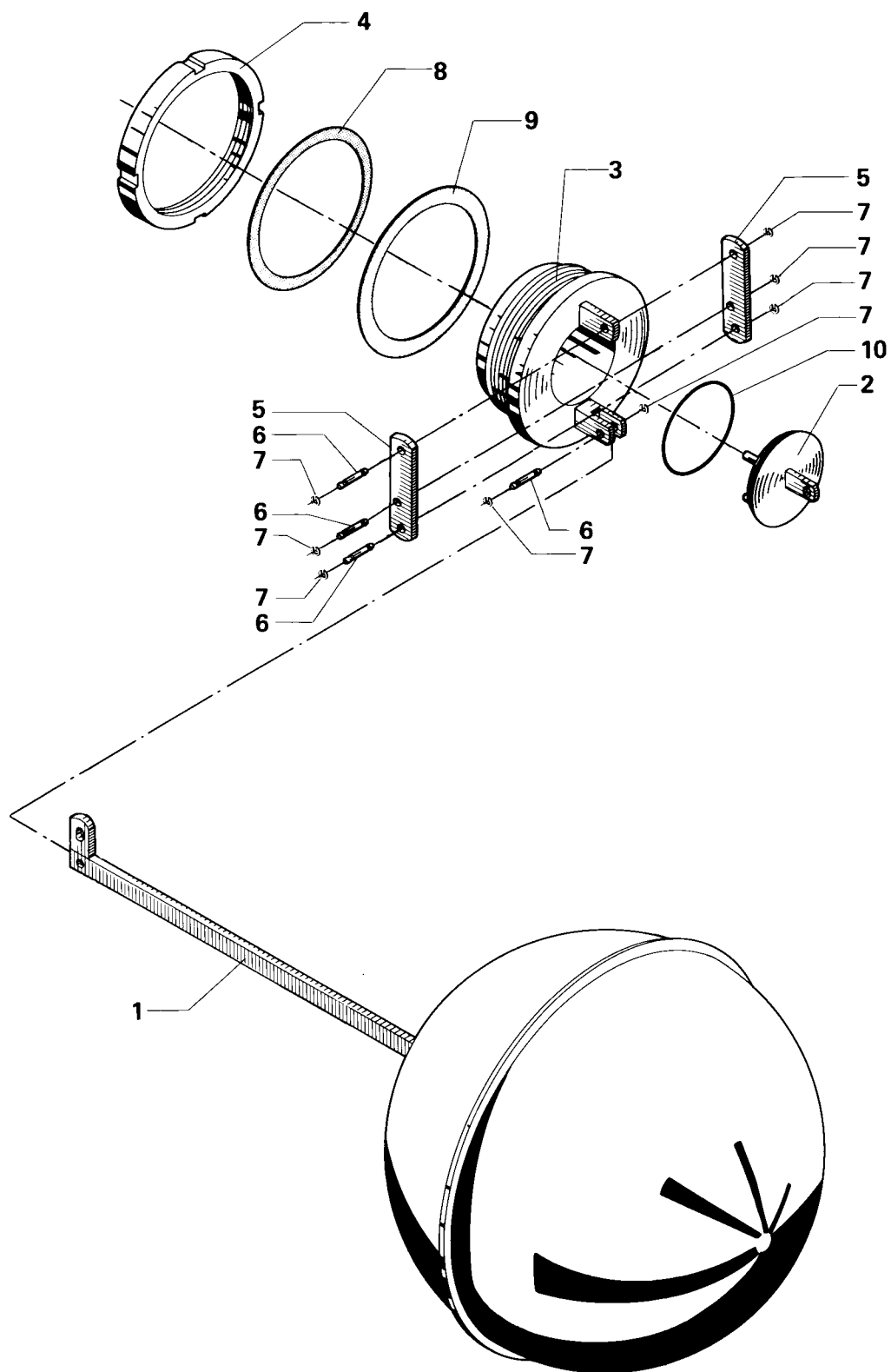


# Float Valve Type LKSV

---



---

Reg. 2.16.17	9805
Intro.	8301

# Float Valve Type LKSV

AISI 304

Pos.	Qty.	Denomination	9611-25-0045 25 mm	9611-25-0046 38 mm	9611-25-0047 51 mm	9611-25-0048 63.5 mm	9611-25-0049 76 mm	9611-25-0050 88.8 mm
1	1	Float .....	9611-25-2098	9611-25-2098	9611-25-2112	9611-25-2112	9611-25-2121	9611-25-2121
2	1	Valve cone .....	9611-25-2101	9611-25-2101	9611-25-2114	9611-25-2114	9611-25-2124	9611-25-2124
3	1	Valve house .....	9611-25-2104	9611-25-2111	9611-25-2116	9611-25-2120	9611-25-2127	9611-25-2134
4	1	Nut .....	9611-25-2108	9611-25-2108	9611-25-2118	9611-25-2118	9611-25-2131	9611-25-2131
5	2	Connecting link .....	9611-25-2109	9611-25-2109	9611-25-2119	9611-25-2119	9611-25-2132	9611-25-2132
6	4	Guide pin .....	9611-25-5081	9611-25-5081	9611-25-5081	9611-25-5081	9611-25-5082	9611-25-5082
7Δ	8	Seegerring .....	9611-99-3088	9611-99-3088	9611-99-3088	9611-99-3088	9611-99-3089	9611-99-3089
8Δ	1	Seal, NBR .....	9611-99-0170	9611-99-0170	9611-99-0172	9611-99-0172	9611-99-0174	9611-99-0174
9Δ	1	Seal, Fibre .....	9611-99-0171	9611-99-0171	9611-99-0173	9611-99-0173	9611-99-0175	9611-99-0175
10Δ	1	O-ring, NBR .....	9611-99-0017	9611-99-0017	223406-59	223406-59	9611-99-0023	9611-99-0023
Δ		<b>Service kit .....</b>	<b>9611-92-4023</b>	<b>9611-92-4023</b>	<b>9611-92-4024</b>	<b>9611-92-4024</b>	<b>9611-92-4025</b>	<b>9611-92-4025</b>

Parts marked with Δ are included in the **service kit**.

Recommended spare parts: **Service kit**.