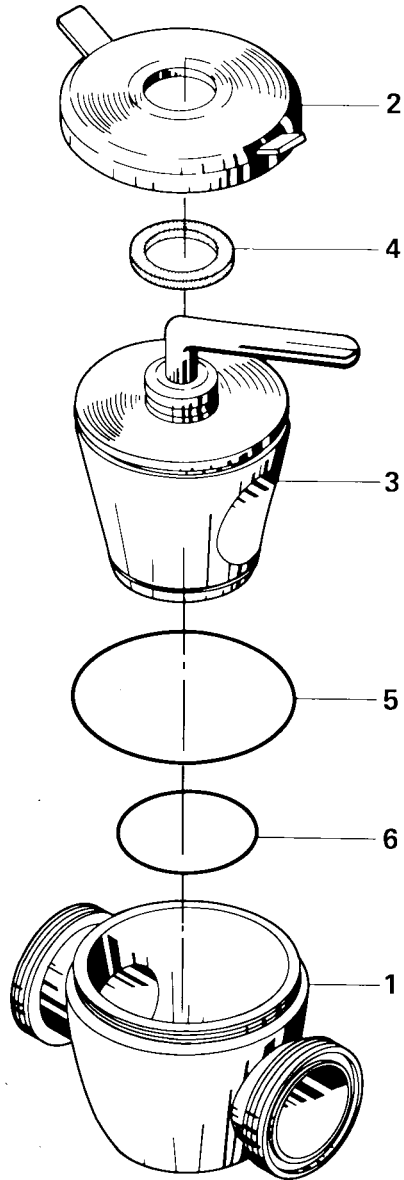


# Straight Through Cock Type LKLH

---



---

Reg. 2.16.9	9805
Intro.	8301

# Straight Through Cock Type LKLH

AISI 304

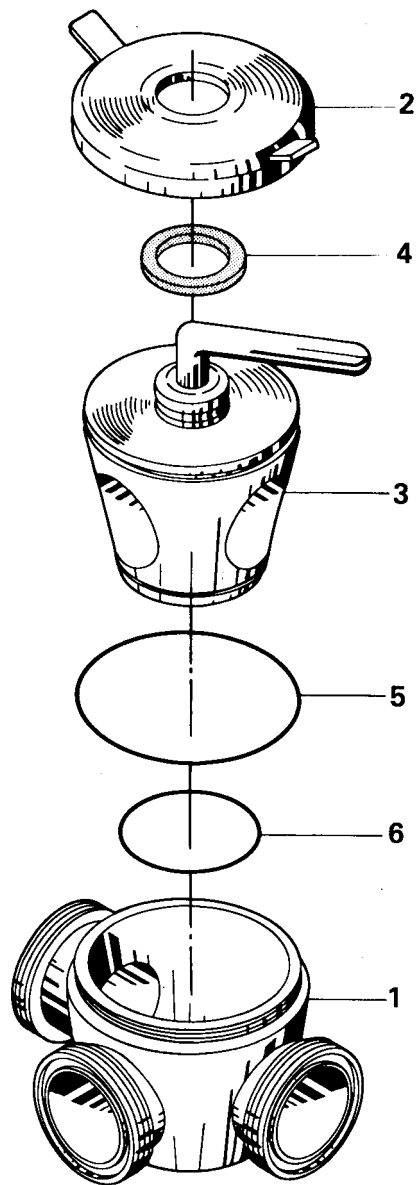
Pos.	Qty	Denomination	25 mm	38 mm	51 mm	63.5 mm	76 mm
1	1	Straightway-body					
2	1	Cover .....	9611-10-1277	9611-10-1278	9611-10-1279	9611-10-1280	9611-10-1281
3	1	Plug					
4 <sup>Δ</sup>	1	Ring.....	9611-10-1282	521133-08	521133-08	521133-09	521133-09
5 <sup>Δ</sup>	1	O-ring .....	9611-99-0001	9611-99-0003	9611-99-0005	9611-99-0007	9611-99-0008
6 <sup>Δ</sup>	1	O-ring .....	9611-99-0002	9611-99-0004	9611-99-0006	9611-99-0005	9611-99-0009
Δ		<b>Service kit .....</b>	<b>9611-92-3016</b>	<b>9611-92-3017</b>	<b>9611-92-3018</b>	<b>9611-92-3019</b>	<b>9611-92-3025</b>

Parts marked with <sup>Δ</sup> are included in the **service kits**

Recommended spare parts: **Service kits**

# 3-Way Cock Type LKTH

---



---

Reg. 2.16.10	9805
Intro.	8301

# 3-Way Cock Type LKTH

Pos.	Qty	Denomination	AISI 304				
			25 mm	38 mm	51 mm	63.5 mm	76 mm
1	1	3-way-body					
2	1	Cover .....	9611-10-1277	9611-10-1278	9611-10-1279	9611-10-1280	9611-10-1281
3	1	Plug					
4 <sup>Δ</sup>	1	Ring .....	9611-10-1282	521133-08	521133-08	521133-09	521133-09
5 <sup>Δ</sup>	1	O-ring .....	9611-99-0001	9611-99-0003	9611-99-0005	9611-99-0007	9611-99-0008
6 <sup>Δ</sup>	1	O-ring .....	9611-99-0002	9611-99-0004	9611-99-0006	9611-99-0005	9611-99-0009
Δ		<b>Service kit .....</b>	<b>9611-92-3016</b>	<b>9611-92-3017</b>	<b>9611-92-3018</b>	<b>9611-92-3019</b>	<b>9611-92-3025</b>

Parts marked with Δ are included in the **service kits**

Recommended spare parts: **Service kits**