

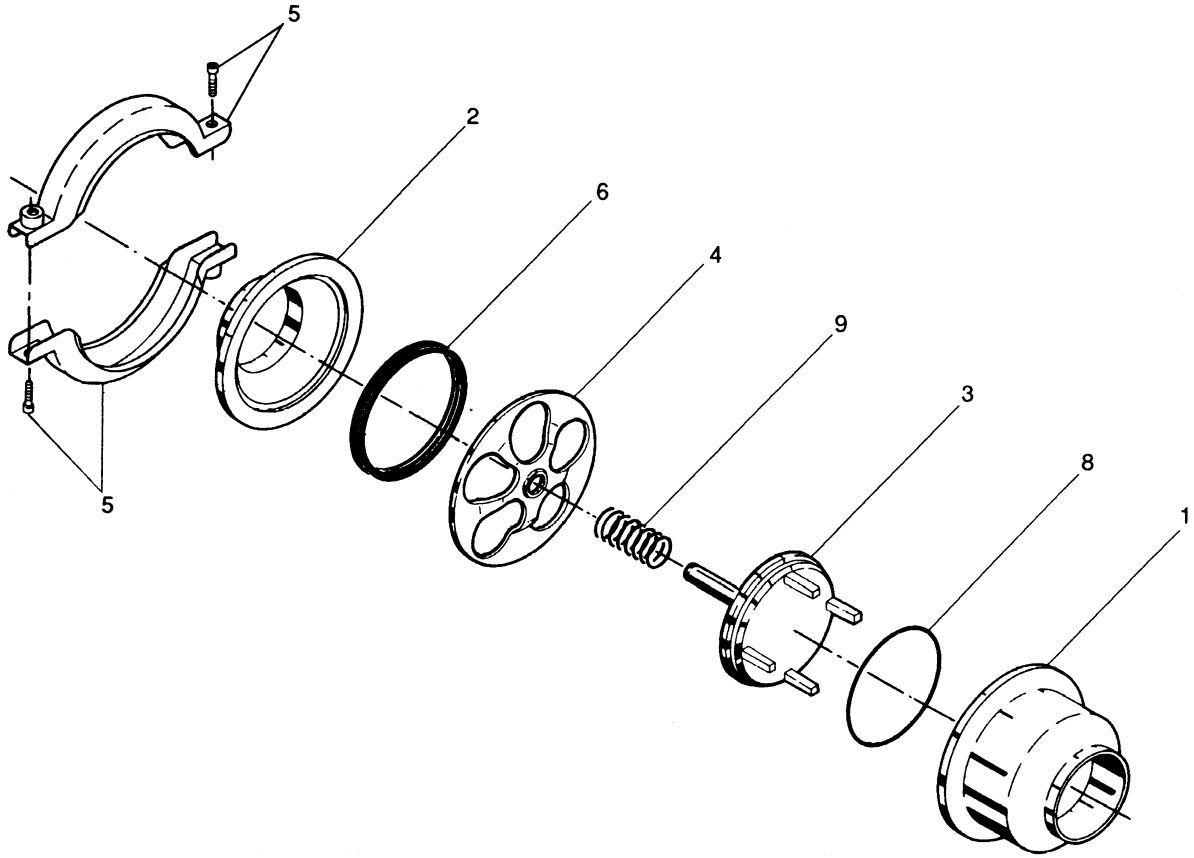
Spare Parts

# LKC-2 Non Return Valve



**Non - Return Valve  
Type LKC-2**

**2**



# Non - Return Valve Type LKC-2

ISO for welding - AISI 316

Pos.	Qty.	Denomination	9612-2200-07 25 mm	9612-2200-08 38 mm	9611-2200-09 51 mm	9612-2200-10 63.5 mm	9612-2200-11 76 mm	9612-2200-12 101.6 mm
1	1	Valve body .....	9612-2202-07	9612-2202-08	9612-2202-09	9612-2202-10	9612-2202-11	9612-2202-12
2	1	Welding liner .....	9612-2201-07	9612-2201-08	9612-2201-09	9612-2201-10	9612-2201-11	9612-2201-12
3	1	Valve cone .....	9612-2207-01	9612-2207-02	9612-2207-03	9612-2207-04	9612-2207-05	9612-2207-06
4	1	Guide plate .....	9612-2208-01	9612-2208-02	9612-2208-03	9612-2208-04	9612-2208-05	9612-2208-06
5	1	Clamp ring .....	9611-31-105-2	9611-31-105-3	9611-31-105-4	9611-31-105-5	9611-31-105-6	9611-31-105-7
6Δ	1	Seal ring, EPDM .....	9611-25-315-0	9611-25-315-1	9611-25-315-2	9611-25-315-3	9611-25-315-4	9611-25-315-6
	1	Seal ring, NBR .....	9611-25-381-0	9611-25-381-1	9611-25-381-2	9611-25-381-3	9611-25-381-4	9611-25-381-6
	1	Seal ring, FPM .....	9611-25-382-0	9611-25-382-1	9611-25-382-2	9611-25-382-3	9611-25-382-4	9611-25-382-6
8Δ	1	O-ring, EPDM .....	9611-99-0063	9611-99-0015	9611-99-0064	9611-99-0065	9611-99-0066	9611-99-0067
	1	O-ring, NBR .....	9611-99-1410	9611-99-1411	9611-99-1412	9611-99-1413	9611-99-1414	9611-99-1415
	1	O-ring, FPM .....	9611-99-1417	9611-99-1418	9611-99-1419	9611-99-1420	9611-99-1421	9611-99-1422
9	1	Spring .....	9611-99-1677	9611-99-1678	9611-99-1679	9611-99-1680	9611-99-1681	9611-99-2031

ISO for welding - AISI 304

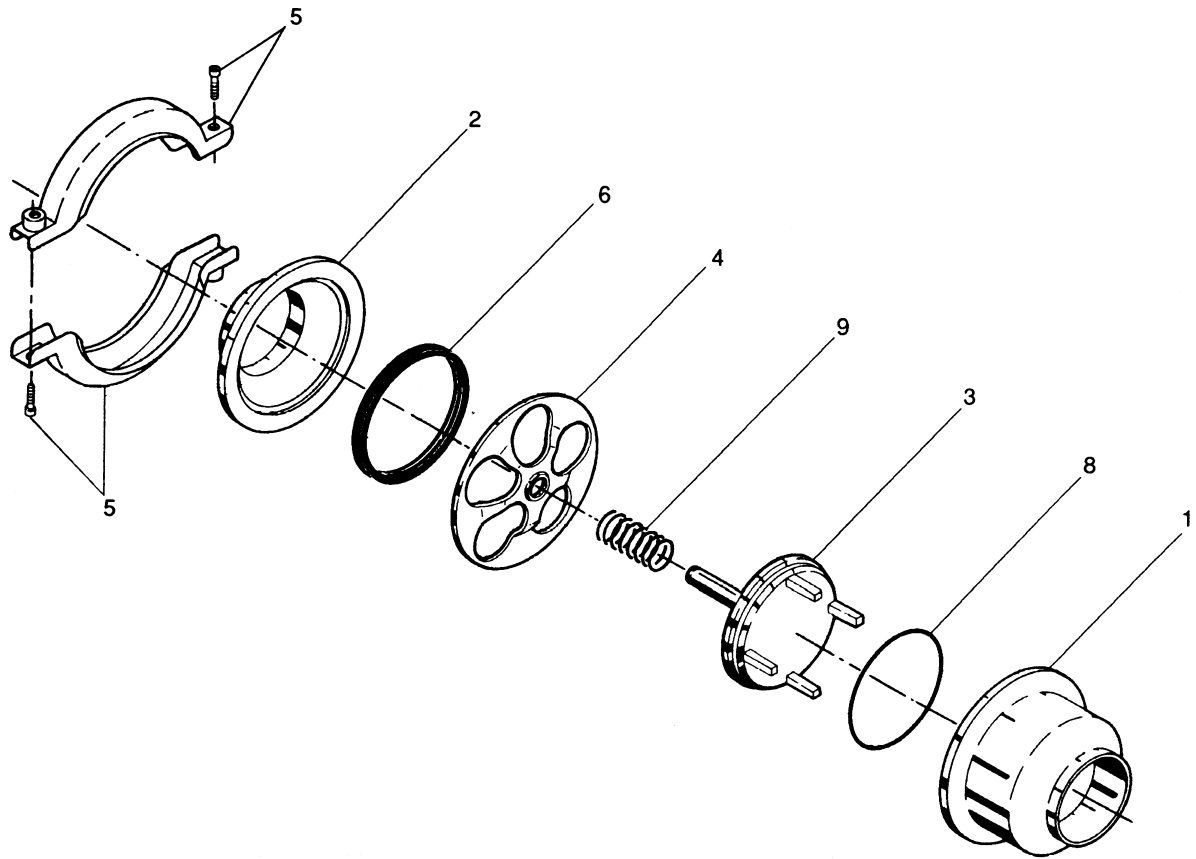
Pos.	Qty.	Denomination	9612-2200-01 25 mm	9612-2200-02 38 mm	9612-2200-03 51 mm	9612-2200-04 63.5 mm	9612-2200-05 76 mm	9612-2200-06 101.6 mm
1	1	Valve body .....	9612-2202-01	9612-2202-02	9612-2202-03	9612-2202-04	9612-2202-05	9612-2202-06
2	1	Welding liner .....	9612-2201-01	9612-2201-02	9612-2201-03	9612-2201-04	9612-2201-05	9612-2201-06
3	1	Valve cone .....	9612-2207-01	9612-2207-02	9612-2207-03	9612-2207-04	9612-2207-05	9612-2207-06
4	1	Guide plate .....	9612-2208-01	9612-2208-02	9612-2208-03	9612-2208-04	9612-2208-05	9612-2208-06
5	1	Clamp ring .....	9611-31-105-2	9611-31-105-3	9611-31-105-4	9611-31-105-5	9611-31-105-6	9611-31-105-7
6Δ	1	Seal ring, EPDM .....	9611-25-315-0	9611-25-315-1	9611-25-315-2	9611-25-315-3	9611-25-315-4	9611-25-315-6
	1	Seal ring, NBR .....	9611-25-381-0	9611-25-381-1	9611-25-381-2	9611-25-381-3	9611-25-381-4	9611-25-381-6
	1	Seal ring, FPM .....	9611-25-382-0	9611-25-382-1	9611-25-382-2	9611-25-382-3	9611-25-382-4	9611-25-382-6
8Δ	1	O-ring, EPDM .....	9611-99-0063	9611-99-0015	9611-99-0064	9611-99-0065	9611-99-0066	9611-99-0067
	1	O-ring, NBR .....	9611-99-1410	9611-99-1411	9611-99-1412	9611-99-1413	9611-99-1414	9611-99-1415
	1	O-ring, FPM .....	9611-99-1417	9611-99-1418	9611-99-1419	9611-99-1420	9611-99-1421	9611-99-1422
9	1	Spring .....	9611-99-1677	9611-99-1678	9611-99-1679	9611-99-1680	9611-99-1681	9611-99-2031
Δ		<b>Service kit EPDM .....</b>	<b>9611-92-4005</b>	<b>9611-92-4006</b>	<b>9611-92-4007</b>	<b>9611-92-4008</b>	<b>9611-92-4009</b>	<b>9611-92-4010</b>
Δ		<b>Service kit NBR .....</b>	<b>9611-92-4011</b>	<b>9611-92-4012</b>	<b>9611-92-4013</b>	<b>9611-92-4014</b>	<b>9611-92-4015</b>	<b>9611-92-4016</b>
Δ		<b>Service kit FPM .....</b>	<b>9611-92-4017</b>	<b>9611-92-4018</b>	<b>9611-92-4019</b>	<b>9611-92-4020</b>	<b>9611-92-4021</b>	<b>9611-92-4022</b>

Parts marked with Δ are included in the **Service kit**.

# Non - Return Valve Type LKC-2

(Same drawing as on page 2)

4



# Non - Return Valve Type LKC-2

DIN for welding - AISI 316

Pos.	Qty.	Denomination	9612-2200-47 NW 25	9612-2200-48 NW 32	9612-2200-49 NW 40	9612-2200-50 NW 50	9612-2200-51 NW 65	9612-2200-52 NW 80	9612-2200-53 NW 100
1	1	Valve body .....	9612-2214-08	9612-2214-09	9612-2214-10	9612-2214-11	9612-2214-12	9612-2214-13	9612-2214-14
2	1	Welding liner .....	9612-2215-08	9612-2215-09	9612-2215-10	9612-2215-11	9612-2215-12	9612-2215-13	9612-2215-14
3	1	Valve cone .....	9612-2207-01	9612-2207-02	9612-2207-02	9612-2207-03	9612-2207-04	9612-2207-05	9612-2207-06
4	1	Guide plate .....	9612-2208-01	9612-2208-02	9612-2208-02	9612-2208-03	9612-2208-04	9612-2208-05	9612-2208-06
5	1	Clamp ring .....	9611-31-105-2	9611-31-105-3	9611-31-105-3	9611-31-105-4	9611-31-105-5	9611-31-105-6	9611-31-105-7
6Δ	1	Seal ring, EPDM ..	9611-25-315-0	9611-25-315-1	9611-25-315-1	9611-25-315-2	9611-25-315-3	9611-25-315-4	9611-25-315-6
	1	Seal ring, NBR ....	9611-25-381-0	9611-25-381-1	9611-25-381-1	9611-25-381-2	9611-25-381-3	9611-25-381-4	9611-25-381-6
	1	Seal ring, FPM ....	9611-25-382-0	9611-25-382-1	9611-25-382-1	9611-25-382-2	9611-25-382-3	9611-25-382-4	9611-25-382-6
8Δ	1	O-ring, EPDM .....	9611-99-0063	9611-99-0015	9611-99-0015	9611-99-0064	9611-99-0065	9611-99-0066	9611-99-0067
	1	O-ring, NBR .....	9611-99-1410	9611-99-1411	9611-99-1411	9611-99-1412	9611-99-1413	9611-99-1414	9611-99-1415
	1	O-ring, FPM .....	9611-99-1417	9611-99-1418	9611-99-1418	9611-99-1419	9611-99-1420	9611-99-1421	9611-99-1422
9	1	Spring .....	9611-99-1677	9611-99-1678	9611-99-1678	9611-99-1679	9611-99-1680	9611-99-1681	9611-99-2031

5

DIN for welding - AISI 304

Pos.	Qty.	Denomination	9612-2200-40 NW 25	9612-2200-41 NW 32	9612-2200-42 NW 40	9612-2200-43 NW 50	9612-2200-44 NW 65	9612-2200-45 NW 80	9612-2200-46 NW 100
1	1	Valve body .....	9612-2214-01	9612-2214-02	9612-2214-03	9612-2214-04	9612-2214-05	9612-2214-06	9612-2214-07
2	1	Welding liner .....	9612-2215-01	9612-2215-02	9612-2215-03	9612-2215-04	9612-2215-05	9612-2215-06	9612-2215-07
3	1	Valve cone .....	9612-2207-01	9612-2207-02	9612-2207-02	9612-2207-03	9612-2207-04	9612-2207-05	9612-2207-06
4	1	Guide plate .....	9612-2208-01	9612-2208-02	9612-2208-02	9612-2208-03	9612-2208-04	9612-2208-05	9612-2208-06
5	1	Clamp ring .....	9611-31-105-2	9611-31-105-3	9611-31-105-3	9611-31-105-4	9611-31-105-5	9611-31-105-6	9611-31-105-7
6Δ	1	Seal ring, EPDM ..	9611-25-315-0	9611-25-315-1	9611-25-315-1	9611-25-315-2	9611-25-315-3	9611-25-315-4	9611-25-315-6
	1	Seal ring, NBR ....	9611-25-381-0	9611-25-381-1	9611-25-381-1	9611-25-381-2	9611-25-381-3	9611-25-381-4	9611-25-381-6
	1	Seal ring, FPM ....	9611-25-382-0	9611-25-382-1	9611-25-382-1	9611-25-382-2	9611-25-382-3	9611-25-382-4	9611-25-382-6
8Δ	1	O-ring, EPDM .....	9611-99-0063	9611-99-0015	9611-99-0015	9611-99-0064	9611-99-0065	9611-99-0066	9611-99-0067
	1	O-ring, NBR .....	9611-99-1410	9611-99-1411	9611-99-1411	9611-99-1412	9611-99-1413	9611-99-1414	9611-99-1415
	1	O-ring, FPM .....	9611-99-1417	9611-99-1418	9611-99-1418	9611-99-1419	9611-99-1420	9611-99-1421	9611-99-1422
9	1	Spring .....	9611-99-1677	9611-99-1678	9611-99-1678	9611-99-1679	9611-99-1680	9611-99-1681	9611-99-2031
Δ		<b>Service kit EPDM</b>	<b>9611-92-4005</b>	<b>9611-92-4006</b>	<b>9611-92-4006</b>	<b>9611-92-4007</b>	<b>9611-92-4008</b>	<b>9611-92-4009</b>	<b>9611-92-4010</b>
Δ		<b>Service kit NBR</b>	<b>9611-92-4011</b>	<b>9611-92-4012</b>	<b>9611-92-4012</b>	<b>9611-92-4013</b>	<b>9611-92-4014</b>	<b>9611-92-4015</b>	<b>9611-92-4016</b>
Δ		<b>Service kit FPM</b>	<b>9611-92-4017</b>	<b>9611-92-4018</b>	<b>9611-92-4018</b>	<b>9611-92-4019</b>	<b>9611-92-4020</b>	<b>9611-92-4021</b>	<b>9611-92-4022</b>

NB: Following parts from LKC-2 are interchangeable with LKC-1 for size 25 mm to 76 mm and NW25 to NW80.

Pos. 3 Valve cone

Pos. 4 Guide plate

Recommended spare parts: **Service kits.**

*The information contained herein is correct at the time of issue but may be subject to change without prior notice.*