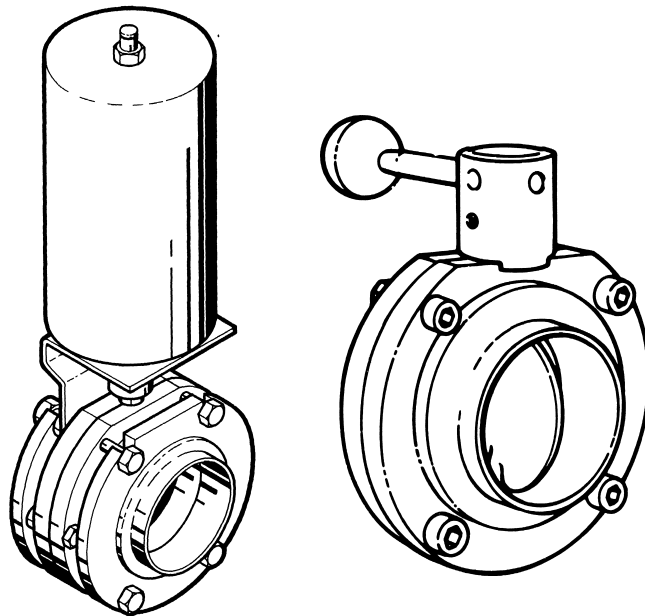


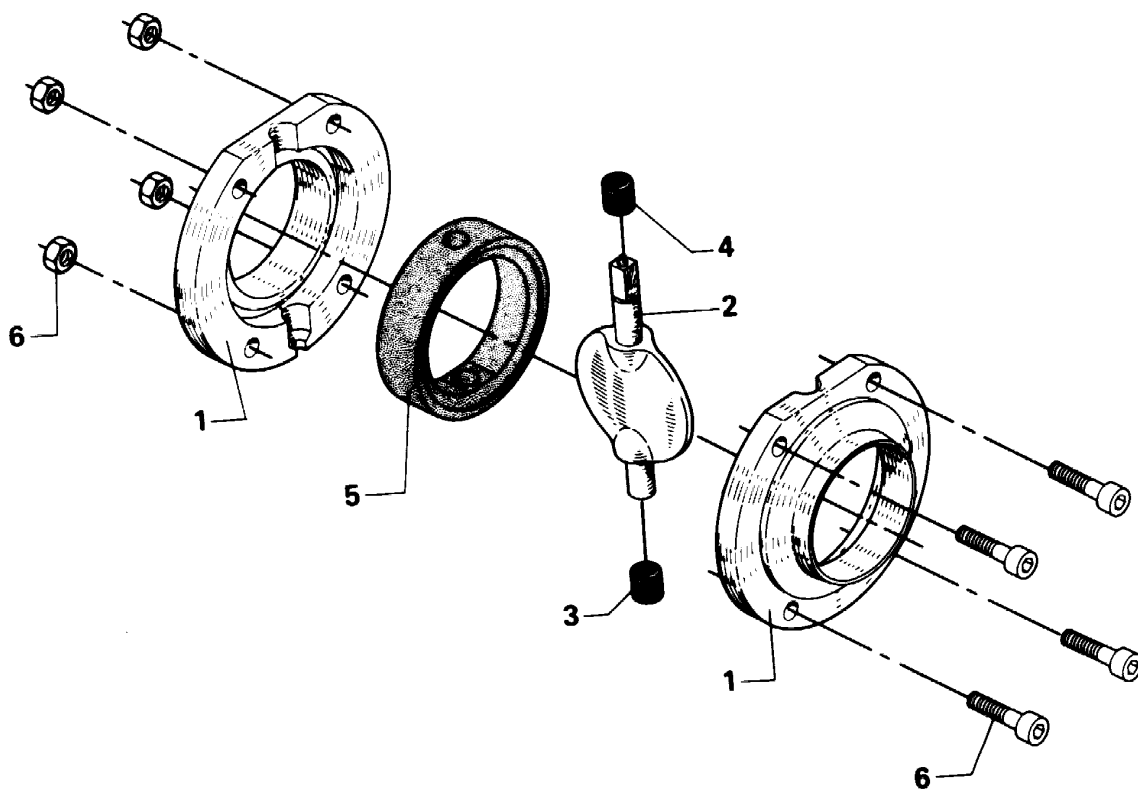
Spare Parts List

LKB Automatic or Manual Butterfly Valve



Butterfly Valve Type LKB ISO

2



Butterfly Valve Type LKB ISO

AISI 304 and 316 for INCH

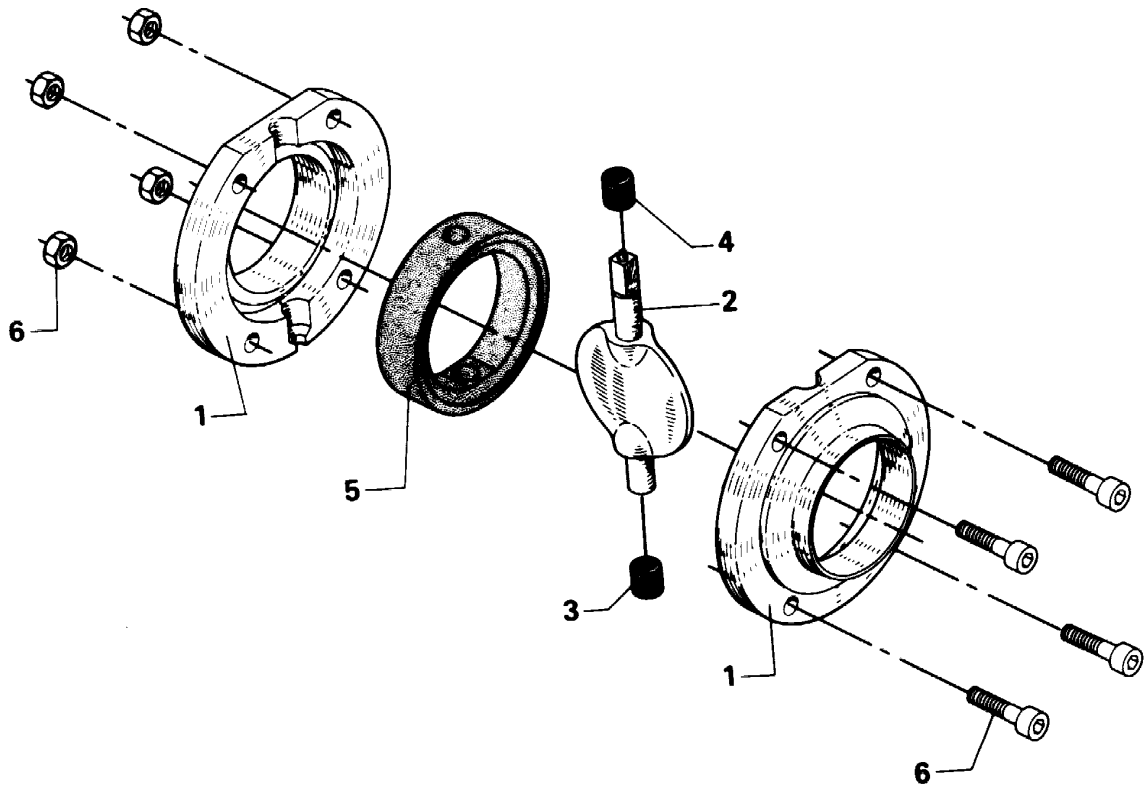
Pos.	Qty	Denomination Disc connection	25 mm	38 mm	51 mm	63.5 mm
			□ 8	□ 8	□ 8	□ 8
1	2	Valve body half (AISI 304) (Period 8103 -)	9611-44-365-0	9611-44-322-0	9611-44-323-0	9611-44-324-0
	2	Valve body half (AISI 316L) (Period 8103 -)	9611-44-365-1	9611-44-322-1	9611-44-323-1	9611-44-324-1
2	1	Disc (AISI 316L)	9611-41-368-1	9611-41-169-1	9611-41-177-1	9611-41-185-1
	1	Disc, □ 12 (AISI 316L) (Period 8906 -)				
	1	Disc, □ 10 (AISI 316) (Period 8001-8906)*				
3Δ	1	Bush	9611-41-181-0	9611-41-173-0	9611-41-181-0	9611-41-189-0
4Δ	1	Bush	9611-41-376-0	9611-41-173-0	9611-41-181-0	9611-41-189-0
5Δ	1	Seal ring (EPDM)	9611-41-413-0	9611-41-409-0	9611-41-410-0	9611-41-411-0
	1	Seal ring (Silicone Q)	9611-41-372-0	9611-41-174-0	9611-41-182-0	9611-41-190-0
	1	Seal ring (Viton FPM)	9611-41-413-3	9611-41-409-3	9611-41-410-3	9611-41-411-3
6	1	Set screw M6 + Nut M6	9611-41-734-0	9611-41-734-0		
	1	Set screw M8 + Nut M8			9611-41-735-0	9611-41-735-0
	1	Set screw M10 + Nut M10				
Δ		Service kit EPDM.	9611-92-3028	9611-92-3029	9611-92-3030	9611-92-3031
Δ		Service kit Q.	9611-92-3034	9611-92-3035	9611-92-3036	9611-92-3037
Δ		Service kit FPM.	9611-92-3040	9611-92-3041	9611-92-3042	9611-92-3043

Pos.	Qty	Denomination Disc connection	76 mm	101.6 mm	101.6 mm
			□ 10	□ 10	□ 12
1	2	Valve body half (AISI 304) (Period 8103 -)	9611-44-307-0	9611-41-325-0	9611-41-325-0
	2	Valve body half (AISI 316L) (Period 8103 -)	9611-44-307-1	9611-41-325-1	9611-41-325-1
2	1	Disc (AISI 316L)	9611-41-193-1		
	1	Disc, □ 12 (AISI 316L) (Period 8906 -)			9612-0463-02
	1	Disc, □ 10 (AISI 316) (Period 8001-8906)*		9611-41-201-1	
3Δ	1	Bush	9611-41-197-0	9611-41-206-0	9611-41-206-0
4Δ	1	Bush	9611-41-197-0	9611-41-205-0	9611-41-205-0
5Δ	1	Seal ring (EPDM)	9611-41-406-0	9611-41-412-0	9611-41-412-0
	1	Seal ring (Silicone Q)	9611-41-198-0	9611-41-207-0	9611-41-207-0
	1	Seal ring (Viton FPM)	9611-41-406-3	9611-41-412-3	9611-41-412-3
6	1	Set screw M6 + Nut M6			
	1	Set screw M8 + Nut M8	9611-41-736-0		
	1	Set screw M10 + Nut M10		9611-41-737-0	9611-41-737-0
Δ		Service kit EPDM.	9611-92-3032	9611-92-3033	9611-92-3033
Δ		Service kit Q.	9611-92-3038	9611-92-3039	9611-92-3039
Δ		Service kit FPM.	9611-92-3044	9611-92-3045	9611-92-3045

Butterfly Valve Type LKB ISO

(Same drawing as on page 2)

4



Butterfly Valve Type LKB ISO

ISO-bore / DIN-connection NW 25 - NW 150
(Period 7600-8910)

AISI 304 and 316 for DIN

Pos.	Qty	Denomination Disc connection	NW 25	NW 40	NW 50	NW 65
			□ 8	□ 8	□ 8	□ 8
1	2	Valve body half (AISI 304) (Period 8103 -)	9611-44-364-0	9611-44-304-0	9611-44-305-0	9611-44-306-0
1	2	Valve body half (AISI 316L) (Period 8103 -)	9611-44-364-1	9611-44-304-1	9611-44-305-1	9611-44-306-1
2	1	Disc (AISI 316L)	9611-41-368-1	9611-41-169-1	9611-41-177-1	9611-41-185-1
	1	Disc, □ 12 (AISI 316L) (Period 8906 -)				
	1	Disc, □ 10 (AISI 316) (Period 8001 - 8906)*				
3Δ	1	Bush	9611-41-181-0	9611-41-173-0	9611-41-181-0	9611-41-189-0
4Δ	1	Bush	9611-41-376-0	9611-41-173-0	9611-41-181-0	9611-41-189-0
5Δ	1	Seal ring (EPDM)	9611-41-413-0	9611-41-409-0	9611-41-410-0	9611-41-411-0
	1	Seal ring (Silicone Q)	9611-41-372-0	9611-41-174-0	9611-41-182-0	9611-41-190-0
	1	Seal ring (FPM)	9611-41-413-3	9611-41-409-3	9611-41-410-3	9611-41-411-3
6	1	Set screw M6 + Nut M6	9611-41-734-0	9611-41-734-0		
	1	Set screw M8 + Nut M8			9611-41-735-0	9611-41-735-0
	1	Set screw M10 + Nut M10				
Δ		Service kit EPDM.	9611-92-3028	9611-92-3029	9611-92-3030	9611-92-3031
Δ		Service kit Q.	9611-92-3034	9611-92-3035	9611-92-3036	9611-92-3037
Δ		Service kit FPM.	9611-92-3040	9611-92-3041	9611-92-3042	9611-92-3043

Pos.	Qty	Denomination Disc connection	NW 80	NW 100	NW 100	NW 150
			□ 10	□ 10	□ 12	□ 15
1	2	Valve body half (AISI 304) (Period 8103 -)	9611-44-309-0	9611-41-308-0	9611-41-308-0	9611-41-367-0
1	2	Valve body half (AISI 316L) (Period 8103 -)	9611-44-309-1	9611-41-308-1	9611-41-308-1	9611-41-367-1
2	1	Disc (AISI 316L)	9611-41-212-1			9611-41-370-1
	1	Disc, □ 12 (AISI 316L) (Period 8906 -)			9612-0463-02	
	1	Disc, □ 10 (AISI 316) (Period 8001 - 8906)*		9611-41-201-1		
3Δ	1	Bush	9611-41-197-0	9611-41-206-0	9611-41-206-0	9611-41-379-0
4Δ	1	Bush	9611-41-197-0	9611-41-205-0	9611-41-205-0	9611-41-379-0
5Δ	1	Seal ring (EPDM)	9611-41-416-0	9611-41-412-0	9611-41-412-0	9611-41-415-0
	1	Seal ring (Silicone Q)	9611-41-216-0	9611-41-207-0	9611-41-207-0	9611-41-374-0
	1	Seal ring (FPM)	9611-41-216-1	9611-41-412-3	9611-41-412-3	9611-41-415-3
6	1	Set screw M6 + Nut M6				
	1	Set screw M8 + Nut M8	9611-41-736-0			
	1	Set screw M10 + Nut M10		9611-41-737-0	9611-41-737-0	9611-41-738-0
Δ		Service kit EPDM.	9611-92-3051	9611-92-3033	9611-92-3033	9611-92-3046
Δ		Service kit Q.	9611-92-3052	9611-92-3039	9611-92-3039	9611-92-3047
Δ		Service kit FPM.	9611-92-3053	9611-92-3045	9611-92-3045	9611-92-3048

Parts marked with Δ are included in the **service kits**.

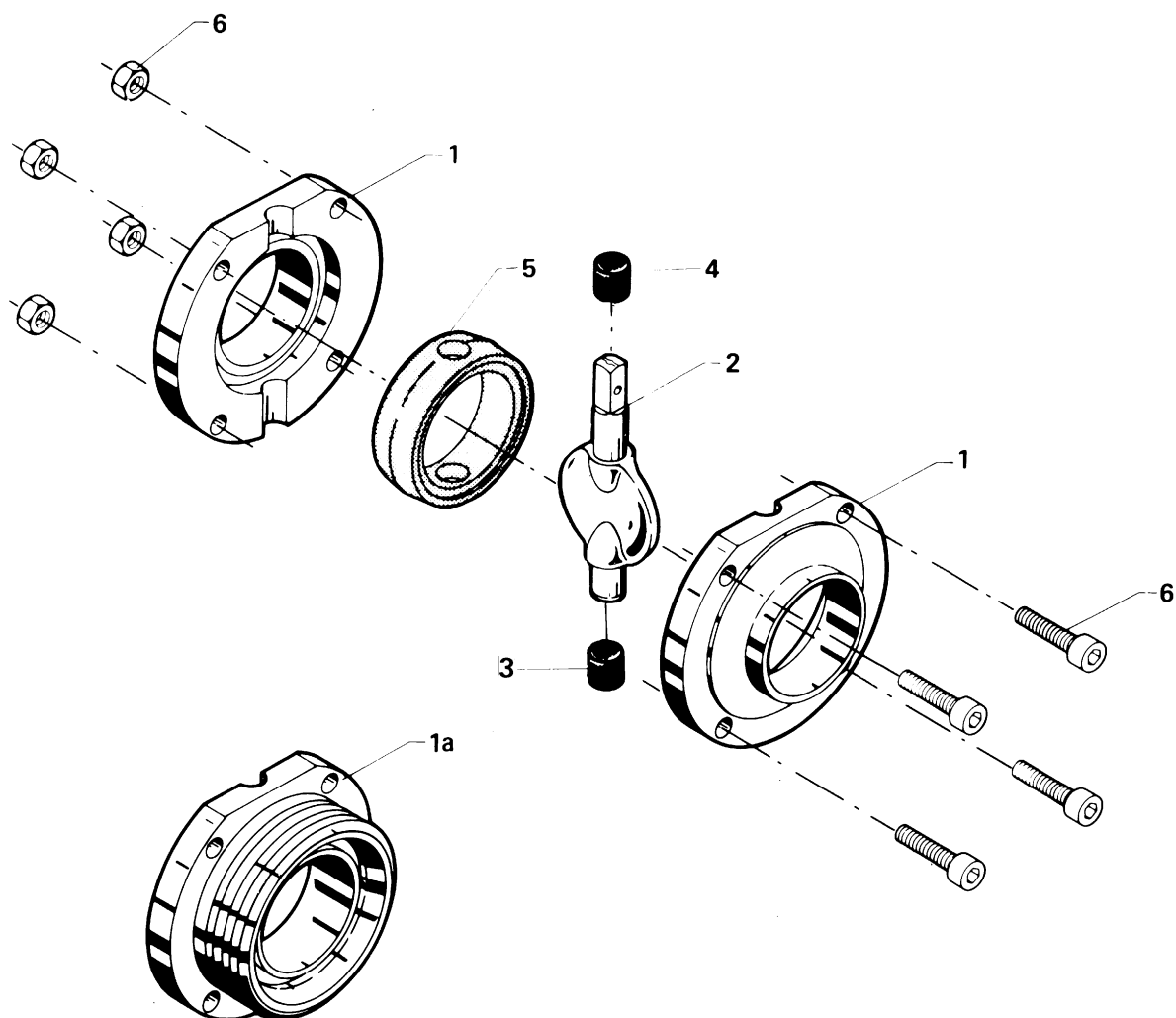
NB:

* Disc connection □10 for 101.6 mm and NW 100 is not available anymore, please rebuild the air-actuator or/and handle to: disc connection □12

Recommended spare parts: **Service kits**.

Butterfly Valve Type LKB-2 DIN

6



Butterfly Valve Type LKB-2 DIN

For valves with bushes (Period 9301-)

Pos.	Qty	Denomination	NW 25	NW 32	NW 40	NW 50
		Disc connection	<input type="checkbox"/> 8	<input type="checkbox"/> 8	<input type="checkbox"/> 8	<input type="checkbox"/> 8
1	2	Valve body half, welding (AISI 304)	9612-3236-01	9612-3237-01	9612-3238-01	9612-3239-01
	2	Valve body half, welding (AISI 316 L)	9612-3236-02	9612-3237-02	9612-3238-02	9612-3239-02
1a	2	Valve body half, male part (AISI 304)	9612-3243-01	9612-3244-01	9612-3245-01	9612-3246-01
	2	Valve body half, male part (AISI 316 L)	9612-3243-02	9612-3244-02	9612-3245-02	9612-3246-02
2	1	Disc (AISI 316L)	9612-0736-04	9612-0737-04	9612-0738-04	9612-0739-04
3Δ	1	Bush	9611-41-181-0	9611-41-181-0	9611-41-181-0	9611-41-189-0
4Δ	1	Bush	9611-41-181-0	9611-41-181-0	9611-41-181-0	9611-41-189-0
5Δ	1	Seal ring (EPDM)	9612-0700-01	9612-0701-01	9612-0702-01	9612-0703-01
	1	Seal ring (Silicone Q)	9612-0709-01	9612-0710-01	9612-0711-01	9612-0712-01
	1	Seal ring (FPM)	9612-0718-01	9612-0719-01	9612-0720-01	9612-0721-01
6	1	Set screw M6 + Nut M6	9611-41-734-0	9611-41-734-0	9611-41-734-0	
	1	Set screw M8 + Nut M8				9611-41-735-0
	1	Set screw M10 + Nut M10				
	1	Set screw M10 + Nut M10 (6pcs)				
Δ		Service kit, EPDM.	9611-92-3075	9611-92-3076	9611-92-3077	9611-92-3078
Δ		Service kit, Q	9611-92-3083	9611-92-3084	9611-92-3085	9611-92-3086
Δ		Service kit, FPM.	9611-92-3091	9611-92-3092	9611-92-3093	9611-92-3094

Pos.	Qty	Denomination	NW 65	NW 80	NW 100	NW 125
		Disc connection	<input type="checkbox"/> 10	<input type="checkbox"/> 10	<input type="checkbox"/> 12	<input type="checkbox"/> 14
1	2	Valve body half, welding (AISI 304)	9612-3240-01	9612-3241-01	9612-3242-01	9612-0774-01
	2	Valve body half, welding (AISI 316 L)	9612-3240-02	9612-3241-02	9612-3242-02	9612-0774-02
1a	2	Valve body half, male part (AISI 304)	9612-3247-01	9612-3248-01	9612-3249-01	9612-0772-01
	2	Valve body half, male part (AISI 316 L)	9612-3247-02	9612-3248-02	9612-3249-02	9612-0772-02
2	1	Disc (AISI 316L)	9612-0740-04	9612-0741-04	9612-0742-04	9612-0769-04
3Δ	1	Bush	9611-41-189-0	9611-41-189-0	9611-41-197-0	9612-0785-01
4Δ	1	Bush	9611-41-189-0	9611-41-189-0	9611-41-197-0	9612-0785-01
5Δ	1	Seal ring (EPDM)	9612-0704-01	9612-0705-01	9612-0706-01	9612-0771-01
	1	Seal ring (Silicone Q)	9612-0713-01	9612-0714-01	9612-0715-01	9612-0783-01
	1	Seal ring (FPM)	9612-0722-01	9612-0723-01	9612-0724-01	9612-0784-01
6	1	Set screw M6 + Nut M6				
	1	Set screw M8 + Nut M8	9611-41-736-0	9611-41-736-0		
	1	Set screw M10 + Nut M10			9611-41-737-0	
	1	Set screw M10 + Nut M10 (6pcs)				9611-41-777-0
Δ		Service kit, EPDM.	9611-92-3079	9611-92-3080	9611-92-3081	9611-92-3082
Δ		Service kit, Q	9611-92-3087	9611-92-3088	9611-92-3089	9611-92-3090
Δ		Service kit, FPM.	9611-92-3095	9611-92-3096	9611-92-3097	9611-92-3098

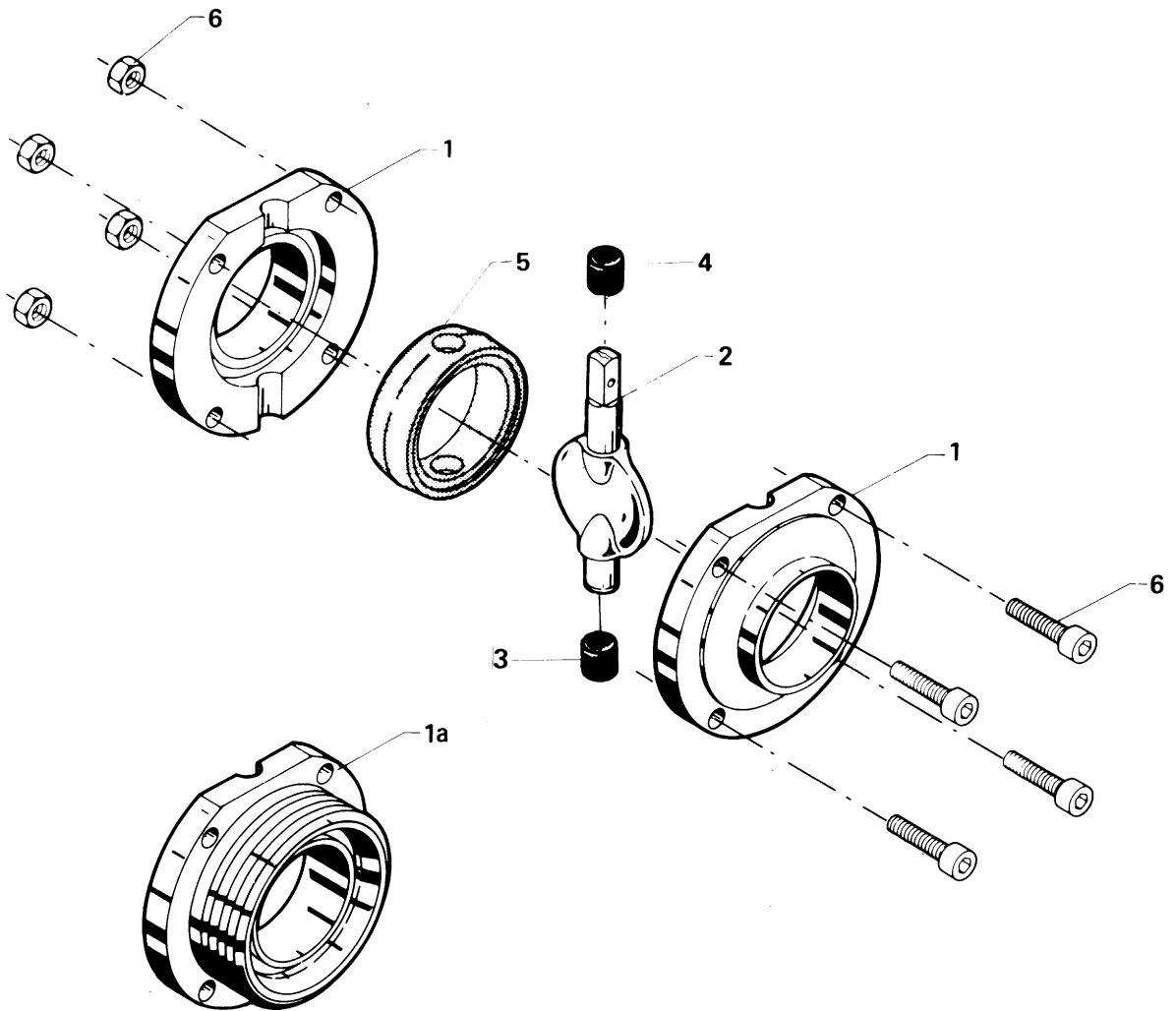
Parts marked with Δ are included in the **service kits**.

Recommended spare parts: **Service kits**

Butterfly Valve Type LKB-2 DIN

(Same drawing as on page 6)

8



Butterfly Valve Type LKB-2 DIN

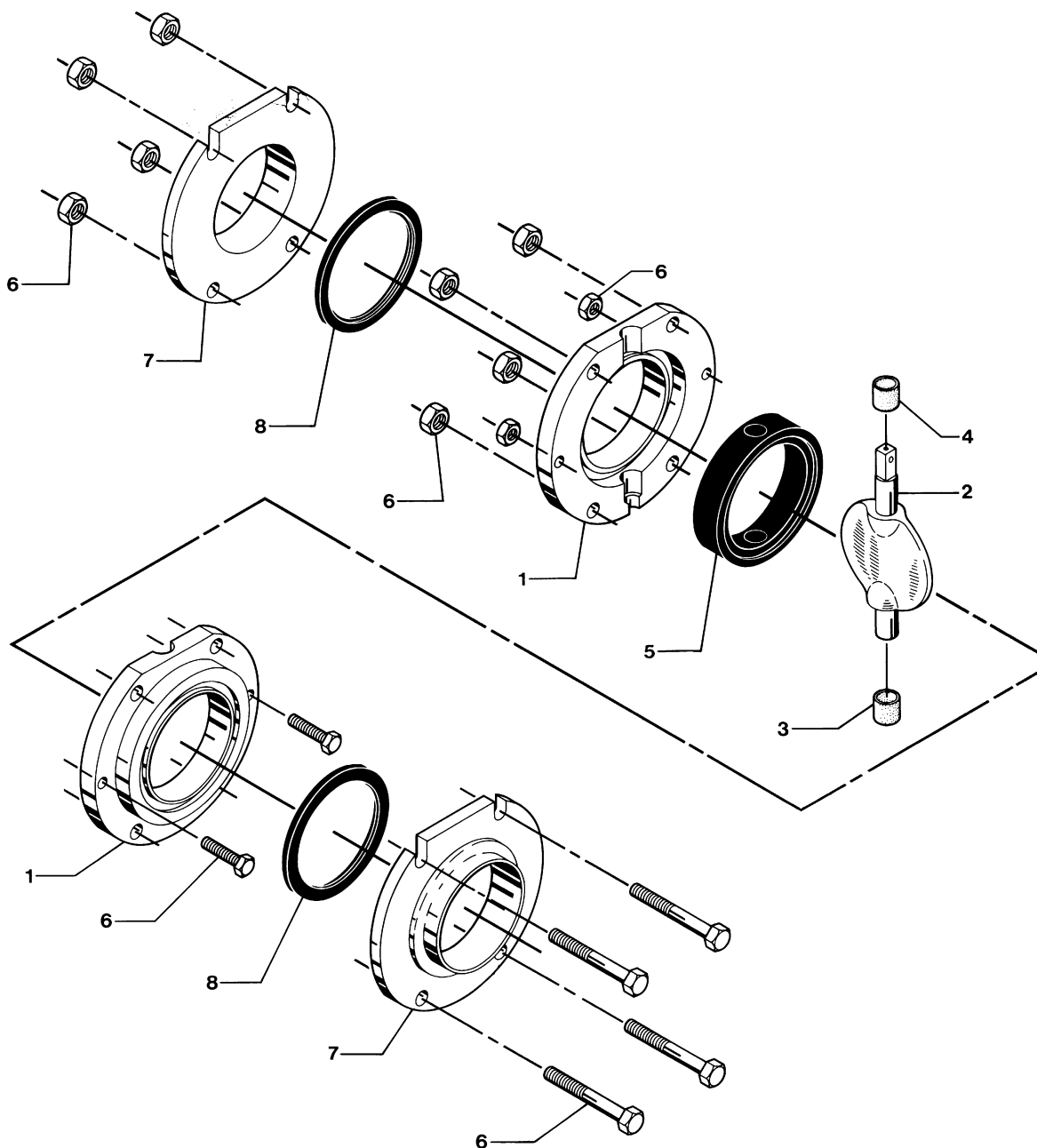
For valves without bushes (Period 8901-9212)

Pos.	Qty	Denomination Disc connection	NW 25	NW 32	NW 40	NW 50
			□ 8	□ 8	□ 8	□ 8
1	2	Valve body half, welding (AISI 304)	9612-0727-01	9612-0728-01	9612-0729-01	9612-0730-01
	2	Valve body half, welding (AISI 316 L)	9612-0727-02	9612-0728-02	9612-0729-02	9612-0730-02
1a	2	Valve body half, male part (AISI 304)	9612-0613-01	9612-0619-01	9612-0614-01	9612-0615-01
	2	Valve body half, male part (AISI 316 L)	9612-0613-02	9612-0619-02	9612-0614-02	9612-0615-02
2	1	Disc (AISI 316L)	9612-0736-04	9612-0737-04	9612-0738-04	9612-0739-04
5	1	Seal ring (EPDM)	9612-0700-01	9612-0701-01	9612-0702-01	9612-0703-01
	1	Seal ring (Silicone Q)	9612-0709-01	9612-0710-01	9612-0711-01	9612-0712-01
	1	Seal ring (FPM)	9612-0718-01	9612-0719-01	9612-0720-01	9612-0721-01
6	1	Set screw M6 + Nut M6	9611-41-734-0	9611-41-734-0	9611-41-734-0	
	1	Set screw M8 + Nut M8				9611-41-735-0
	1	Set screw M10 + Nut M10				
	1	Set screw M10 + Nut M10 (6 pos.)				

Pos.	Qty	Denomination Disc connection	NW 65	NW 80	NW 100	NW 125
			□ 10	□ 10	□ 12	□ 14
1	2	Valve body half, welding (AISI 304)	9612-0731-01	9612-0732-01	9612-0733-01	9612-0774-01
	2	Valve body half, welding (AISI 316 L)	9612-0731-02	9612-0732-02	9612-0733-02	9612-0774-02
1a	2	Valve body half, male part (AISI 304)	9612-0616-01	9612-0617-01	9612-0618-01	9612-0772-01
	2	Valve body half, male part (AISI 316 L)	9612-0616-02	9612-0617-02	9612-0618-02	9612-0772-02
2	1	Disc (AISI 316L)	9612-0740-04	9612-0741-04	9612-0742-04	9612-0769-04
5	1	Seal ring (EPDM)	9612-0704-01	9612-0705-01	9612-0706-01	9612-0771-01
	1	Seal ring (Silicone Q)	9612-0713-01	9612-0714-01	9612-0715-01	9612-0783-01
	1	Seal ring (FPM)	9612-0722-01	9612-0723-01	9612-0724-01	9612-0784-01
6	1	Set screw M6 + Nut M6				
	1	Set screw M8 + Nut M8	9611-41-736-0	9611-41-736-0		
	1	Set screw M10 + Nut M10			9611-41-737-0	
	1	Set screw M10 + Nut M10 (6 pos.)			9611-41-777-0	

Butterfly Valve Type LKB-F

10



Butterfly Valve Type LKB-F

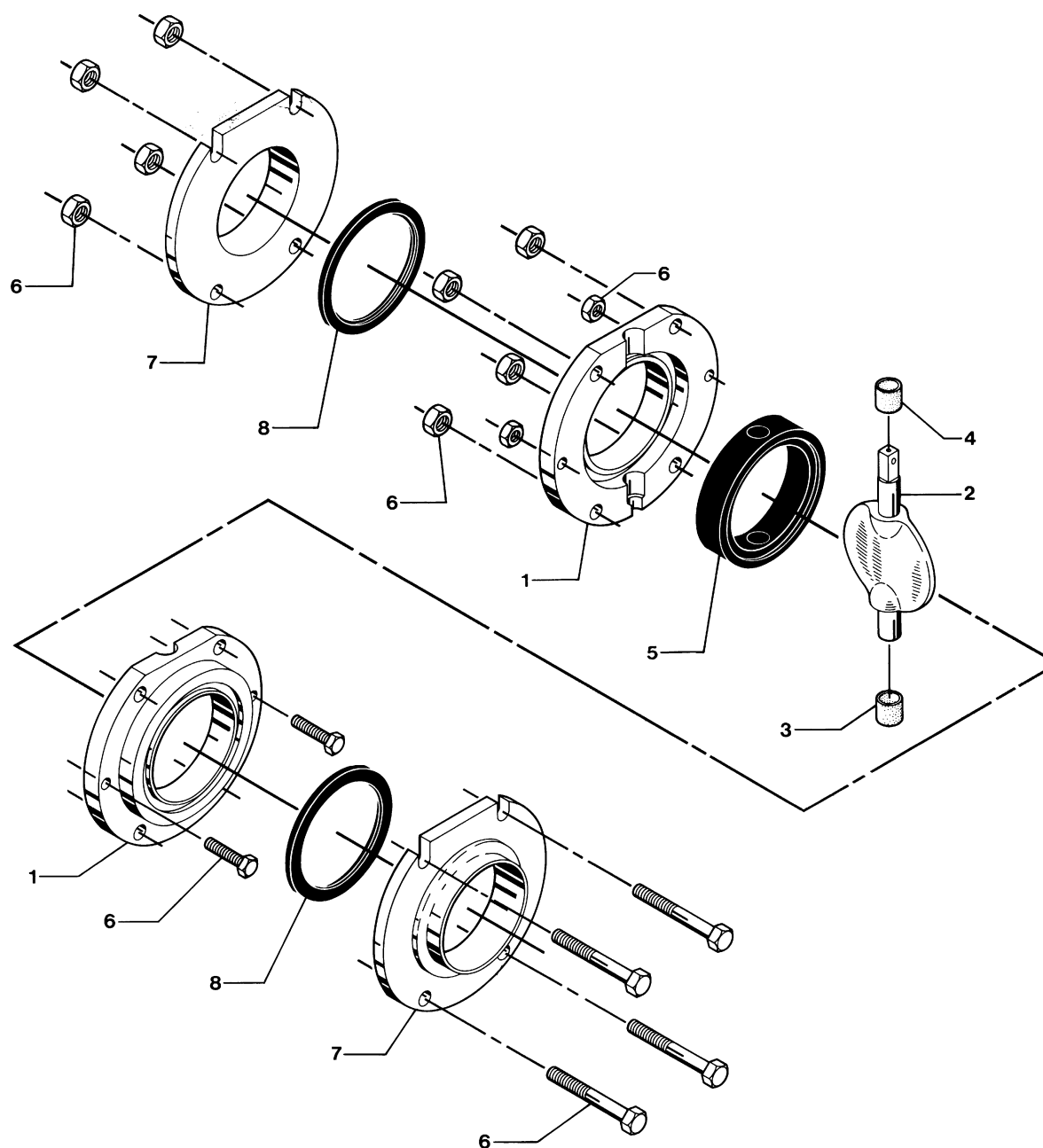
LKB-FISO

Pos.	Qty	Denomination Disc connection	25 mm □ 8	38 mm □ 8	51 mm □ 8	63.5 mm □ 8	76 mm □ 10	101.6 mm □ 12
1	2	Valve body half, welding ... (AISI 316 L)	9612-4024-10	9612-4024-11	9612-4024-12	9612-4024-13	9612-4024-14	9612-4024-15
	2	Valve body half, welding ... (AISI 304)	9612-4024-25	9612-4024-26	9612-4024-27	9612-4024-28	9612-4024-29	9612-4024-30
2	1	Disc (AISI 316L)	9611-41-368-1	9611-41-169-1	9611-41-177-1	9611-41-185-1	9611-41-193-1	9612-0463-02
3Δ	1	Bush	9611-41-181-0	9611-41-173-0	9611-41-181-0	9611-41-189-0	9611-41-197-0	9611-41-206-0
4Δ	1	Bush	9611-41-376-0	9611-41-173-0	9611-41-181-0	9611-41-189-0	9611-41-197-0	9611-41-205-0
5Δ	1	Seal ring (EPDM)	9611-41-413-0	9611-41-409-0	9611-41-410-0	9611-41-411-0	9611-41-406-0	9611-41-412-0
	1	Seal ring (Silicone Q)	9611-41-372-0	9611-41-174-0	9611-41-182-0	9611-41-190-0	9611-41-198-0	9611-41-207-0
	1	Seal ring (FPM)	9611-41-413-3	9611-41-409-3	9611-41-410-3	9611-41-411-3	9611-41-406-3	9611-41-412-3
6	1	Set of screws and nuts	9612-4001-01	9612-4001-01				
	1	Set of screws and nuts			9612-4001-02	9612-4001-02		
	1	Set of screws and nuts					9612-4001-03	
	1	Set of screws and nuts						9612-4001-04
7	2	Flange (AISI 316L)	9612-4025-10	9612-4025-11	9612-4025-12	9612-4025-13	9612-4025-14	9612-4025-15
	2	Flange (AISI 304)	9612-4025-25	9612-4025-26	9612-4025-27	9612-4025-28	9612-4025-29	9612-4025-30
8Δ	2	Seal ring (EPDM)	9612-4026-31	9612-4026-32	9612-4026-33	9612-4026-34	9612-4026-35	9612-4026-36
	2	Seal ring (Silicone Q)	9612-4026-41	9612-4026-42	9612-4026-43	9612-4026-44	9612-4026-45	9612-4026-46
	2	Seal ring (FPM)	9612-4026-51	9612-4026-52	9612-4026-53	9612-4026-54	9612-4026-55	9612-4026-56
Δ		Service kit, EPDM	9611-92-3058	9611-92-3059	9611-92-3060	9611-92-3061	9611-92-3062	9611-92-3063
Δ		Service kit, Silicone (Q)	9611-92-3064	9611-92-3065	9611-92-3066	9611-92-3067	9611-92-3068	9611-92-3069
Δ		Service kit, FPM	9611-92-3070	9611-92-3071	9611-92-3072	9611-92-3073	9611-92-3074	9611-92-3099

Butterfly Valve Type LKB-F

(Same drawing as on page 10)

12



Butterfly Valve Type LKB-F

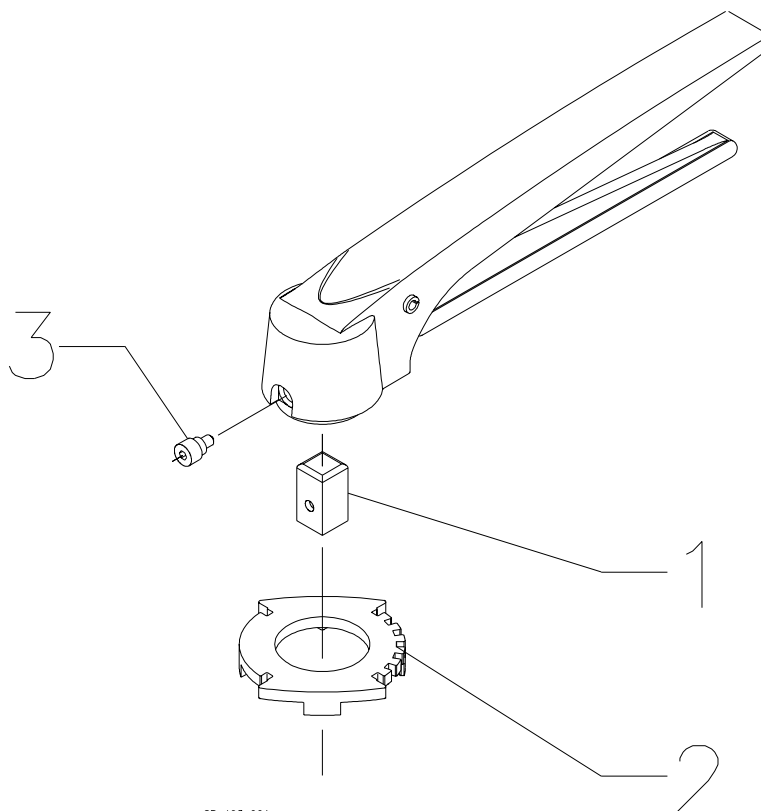
LKB-FDIN

Pos.	Qty	Denomination Disc connection	NW 25	NW 32	NW 40	NW 50	NW 65
			□ 8	□ 8	□ 8	□ 8	□ 10
1	2	Valve body half, welding (AISI 316 L) ..	9612-4024-01	9612-4024-02	9612-4024-03	9612-4024-04	9612-4024-05
	2	Valve body half, welding (AISI 304)	9612-4024-16	9612-4024-17	9612-4024-18	9612-4024-19	9612-4024-20
2	1	Disc (AISI 316L)	9612-0736-04	9612-0737-04	9612-0738-04	9612-0739-04	9612-0740-04
3Δ	1	Bush	9611-41-181-0	9611-41-181-0	9611-41-181-0	9611-41-189-0	9611-41-189-0
4Δ	1	Bush	9611-41-181-0	9611-41-181-0	9611-41-181-0	9611-41-189-0	9611-41-189-0
5Δ	1	Seal ring (EPDM)	9612-0700-01	9612-0701-01	9612-0702-01	9612-0703-01	9612-0704-01
	1	Seal ring (Silicone Q)	9612-0709-01	9612-0710-01	9612-0711-01	9612-0712-01	9612-0713-01
	1	Seal ring (FPM)	9612-0718-01	9612-0719-01	9612-0720-01	9612-0721-01	9612-0722-01
6	1	Set of screws and nuts	9612-4001-01	9612-4001-01	9612-4001-01		
	1	Set of screws and nuts				9612-4001-02	
	1	Set of screws and nuts					9612-4001-03
	1	Set of screws and nuts					
	1	Set of screws and nuts					
7	2	Flange (AISI 316L)	9612-4025-01	9612-4025-02	9612-4025-03	9612-4025-04	9612-4025-05
	2	Flange (AISI 304)	9612-4025-16	9612-4025-17	9612-4025-18	9612-4025-19	9612-4025-20
8Δ	2	Seal ring (EPDM)	9612-4026-01	9612-4026-02	9612-4026-03	9612-4026-04	9612-4026-05
	2	Seal ring (Silicone, Q)	9612-4026-11	9612-4026-12	9612-4026-13	9612-4026-14	9612-4026-15
	2	Seal ring (FPM)	9612-4026-21	9612-4026-22	9612-4026-23	9612-4026-24	9612-4026-25
Δ		Service kit, EPDM	9611-92-3100	9611-92-3101	9611-92-3102	9611-92-3103	9611-92-3104
Δ		Service kit, Silicone (Q)	9611-92-3109	9611-92-3110	9611-92-3111	9611-92-3112	9611-92-3113
Δ		Service kit, FPM	9611-92-3118	9611-92-3119	9611-92-3120	9611-92-3121	9611-92-3122

Pos.	Qty	Denomination Disc connection	NW 80	NW 100	NW 125	NW150
			□ 10	□ 12	□ 14	□ 15
1	2	Valve body half, welding (AISI 316 L) ..	9612-4024-06	9612-4024-07	9612-4024-08	9612-4024-09
	2	Valve body half, welding (AISI 304)	9612-4024-21	9612-4024-22	9612-4024-23	9612-4024-24
2	1	Disc (AISI 316L)	9612-0741-04	9612-0742-04	9612-0769-04	9611-41-370-1
3Δ	1	Bush	9611-41-189-0	9611-41-197-0	9612-0785-01	9611-41-379-0
4Δ	1	Bush	9611-41-189-0	9611-41-197-0	9612-0785-01	9611-41-379-0
5Δ	1	Seal ring (EPDM)	9612-0705-01	9612-0706-01	9612-0771-01	9611-41-415-0
	1	Seal ring (Silicone Q)	9612-0714-01	9612-0715-01	9612-0783-01	9611-41-374-0
	1	Seal ring (FPM)	9612-0723-01	9612-0724-01	9612-0784-01	9611-41-415-3
6	1	Set of screws and nuts				
	1	Set of screws and nuts				
	1	Set of screws and nuts	9612-4001-03			
	1	Set of screws and nuts		9612-4001-04		
	1	Set of screws and nuts			9612-4001-05	
	1	Set of screws and nuts				9612-4001-06
7	2	Flange (AISI 316L)	9612-4025-06	9612-4025-07	9612-4025-08	9612-4025-09
	2	Flange (AISI 304)	9612-4025-21	9612-4025-22	9612-4025-23	9612-4025-24
8Δ	2	Seal ring (EPDM)	9612-4026-06	9612-4026-07	9612-4026-08	9612-4026-09
	2	Seal ring (Silicone, Q)	9612-4026-16	9612-4026-17	9612-4026-18	9612-4026-19
	2	Seal ring (FPM)	9612-4026-26	9612-4026-27	9612-4026-28	9612-4026-29
Δ		Service kit, EPDM	9611-92-3105	9611-92-3106	9611-92-3107	9611-92-3108
Δ		Service kit, Silicone (Q)	9611-92-3114	9611-92-3115	9611-92-3116	9611-92-3117
Δ		Service kit, FPM	9611-92-3123	9611-92-3124	9611-92-3125	9611-92-3126

Lockable Multiposition Handle for LKB Valve

14



SP 403-001

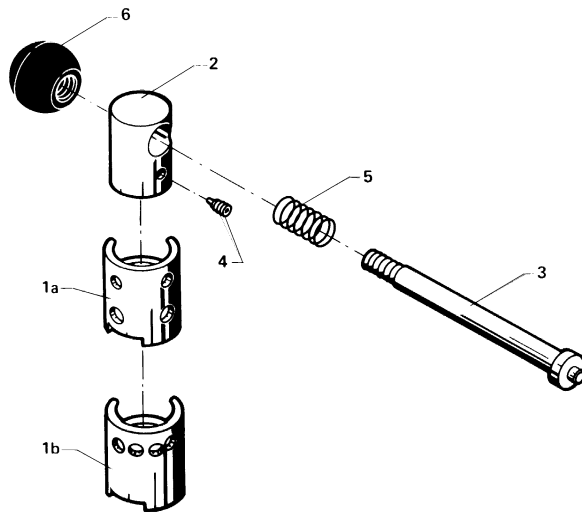
Lockable Multiposition Handle for LKB Valve

Pos.	Qty	Denomination	□ 8	□ 10	□ 12
	1	Handle complete	9612-5928-01	9612-5928-02	9612-5928-03
1	1	Insert	9612-5889-01	9612-5889-02	
2	1	Positioning cap (76-101.6 mm/NW65-100)		9612-5888-01	9612-5888-01
		Positioning cap (25-63.5 mm/NW25-50)	9612-5887-01		
3	1	Screw	9612-0453-02	9612-0453-01	9612-0453-01

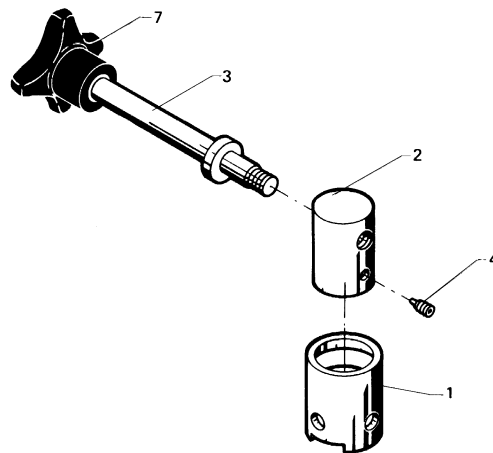
Handle 1.1 for Butterfly Valve type LKB

Handle 1.1 for Butterfly valve LKB

16



Handle 1.1 with infinite positions for Butterfly valve LKB



Handle 1.1 for Butterfly Valve type LKB

Handle 1.1 for Butterfly valve LKB

Pos.	Qty	Denomination Disc connection	2 pos.	4 pos.	9612-0450-01	9612-0451-01	9612-0459-01	9612-0782-01	9612-0791-01
			25 - 63.5 mm	76 mm	101.6 mm				
			<input type="checkbox"/> 8	<input type="checkbox"/> 10	<input type="checkbox"/> 12	<input type="checkbox"/> 14	<input type="checkbox"/> 15		
			NW 25 - 50	NW 65 - 80	NW 100	NW 125	NW 150		
1a	1	Location cap with 2 pos.	9611-41-138-0	9611-41-143-0	9612-0464-01				
1b	1	Location cap with 4 pos.	9611-41-739-0	9611-41-740-0	9612-0465-01	9612-0777-01	9612-0792-01		
2	1	Transfer block	9612-0454-01	9612-0455-01	9612-0462-01	9612-0778-01	9612-0793-01		
3	1	Handle	9611-41-140-0	9611-41-140-1	9612-0461-01	9612-0779-01	9612-3685-01		
4	1	Screw with pin	9612-0452-01	9612-0453-01	9612-0453-01	9612-0453-01	9612-0453-01		
5	1	Spring	9611-99-1998	9611-99-1998	9611-99-1982	9612-0781-01	9612-3651-01		
6	1	Ball	9611-99-1970	9611-99-1970	9611-99-1981	9611-99-2512	9611-99-2713		

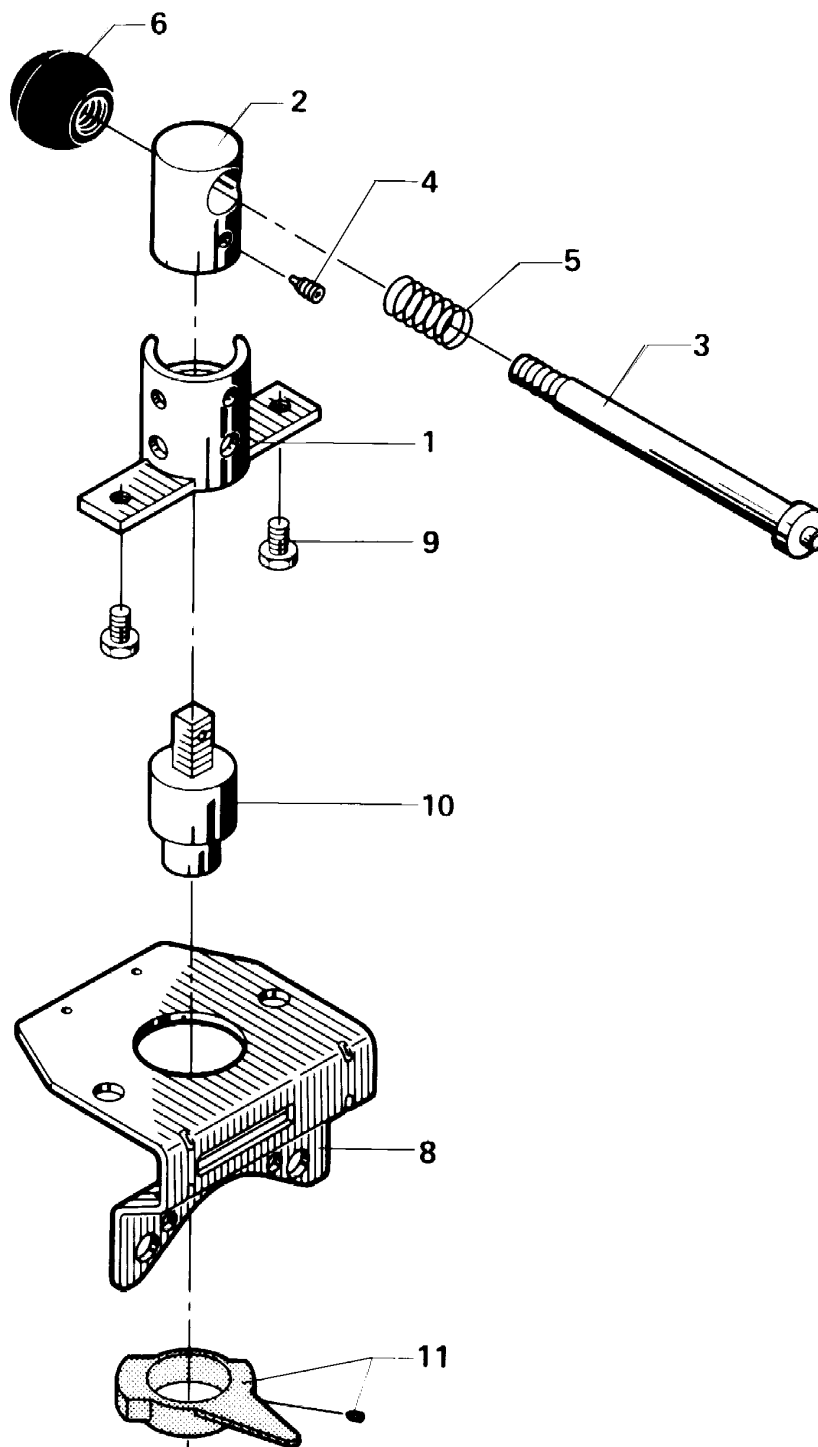
Handle 1.1 with infinite positions for Butterfly valve LKB

Pos.	Qty	Denomination Disc connection	9612-0474-01	9612-0474-02	9612-0474-03
			25 - 63.5 mm	76 mm	101.6 mm
			<input type="checkbox"/> 8	<input type="checkbox"/> 10	<input type="checkbox"/> 12
			NW 25 - 50	NW 65 - 80	NW 100
1	1	Location cap	9612-0471-01	9612-0471-02	9612-0471-03
2	1	Transfer block	9612-0470-01	9612-0470-02	9612-0470-03
3	1	Handle	9612-0472-01	9612-0472-02	9612-0472-02
4	1	Screw with pin	9612-0452-01	9612-0453-01	9612-0453-01
7	1	Crosshead	9611-99-1995	9611-99-1996	9611-99-1996

NB: 1) Handle 1.1 with 10 connection can also be used for old version 101,6 mm NW 100 LKB valve.
 1) Handle 1.1 with 8 connection can also be used for old version NW 65 LKB valve.

Handle 1.1 for indication unit

18

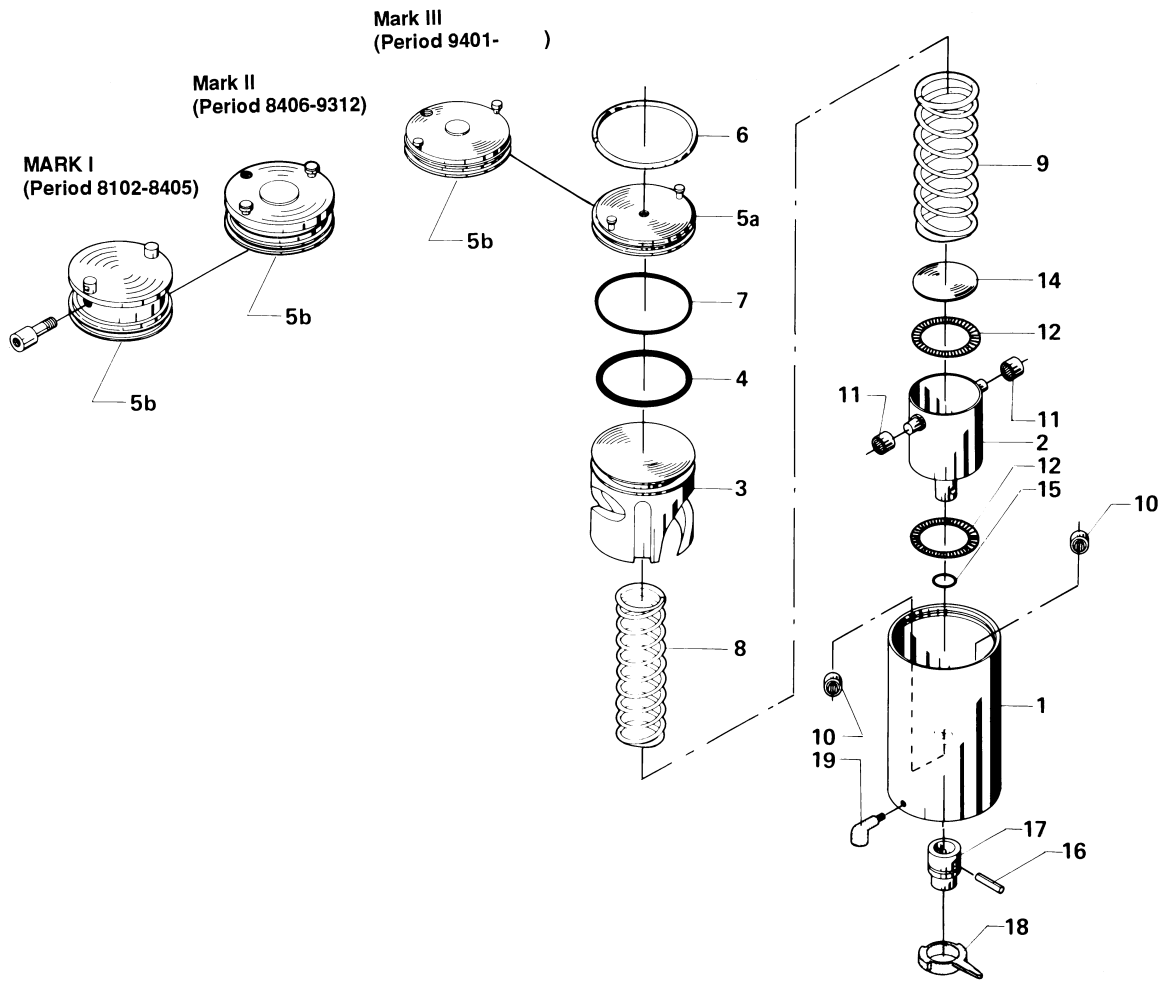


Handle 1.1 for indication unit

Pos.	Qty	Denomination Disc connection	9612-0475-01	9612-0475-02	9612-0475-03	9612-0475-04
			NW 25 25 - 63,5 mm □ 8	NW 80 76 mm □ 10	NW 100 101,6 mm □ 12	NW 65 (LKB-DIN) □ 10
1	1	Location cap with 2 pos.	9611-41-766-1	9611-41-767-1	9612-0469-01	9611-41-767-1
2	1	Transfer block	9612-0454-01	9612-0455-01	9612-0462-01	9612-0455-01
3	1	Handle	9611-41-140-0	9611-41-140-1	9612-0461-01	9611-41-140-1
4	1	Screw with pin	9612-0452-01	9612-0453-01	9612-0453-01	9612-0453-01
5	1	Spring	9611-99-1998	9611-99-1998	9611-99-1982	9611-99-1998
6	1	Ball	9611-99-1970	9611-99-1970	9611-99-1981	9611-99-1970
8	1	Bracket	9611-41-647-1	9611-41-648-1	9612-0815-01	9612-0815-01
9	2	Screw	9611-99-1686	9611-99-1686	9611-99-1686	9611-99-1686
10	1	Coupling	9611-41-771-1	9611-41-770-1	9612-0468-01	9611-41-770-1
11	1	Activating ring with screw	9611-41-669-0	9611-41-669-0	9611-41-669-0	9611-41-669-0

Actuator Air/Spring Type LKLA (NC-NO) ø85

20



Actuator Air/Spring Type LKLA (NC-NO) ø85

Pos.	Qty.	Denomination Disc connection	NC	NC	NC	NO	NO	NO
			9611-41-630-1 25-63.5 mm NW 25-50 <input type="checkbox"/> 8	9611-41-630-2 76 mm NW 65-80 <input type="checkbox"/> 10	9611-41-630-6 101.6 mm NW 100 <input type="checkbox"/> 12	9611-41-630-4 25-63.5 mm NW 25-50 <input type="checkbox"/> 8	9611-41-630-5 76 mm NW 65-80 <input type="checkbox"/> 10	9611-41-630-7 101.6 mm NW 100 <input type="checkbox"/> 12
1	1	Air cylinder	9611-41-758-0	9611-41-758-0	9611-41-758-0	9611-41-758-0	9611-41-758-0	9611-41-758-0
2	1	Rotating cylinder	9611-41-638-0	9611-41-638-0	9611-41-638-0	9611-41-638-0	9611-41-638-0	9611-41-638-0
3	1	Piston	9611-41-631-0	9611-41-631-0	9611-41-631-0	9611-41-741-0	9611-41-741-0	9611-41-741-0
4 Δ	1	O-ring, NBR	9611-99-0052	9611-99-0052	9611-99-0052	9611-99-0052	9611-99-0052	9611-99-0052
5a	1	End cap**	31357-0740-1	31357-0740-1	31357-0740-1	31357-0740-1	31357-0740-1	31357-0740-1
	1	End cap	9611-41-633-0	9611-41-633-0	9611-41-633-0	9611-41-633-0	9611-41-633-0	9611-41-633-0
		(Period 8911-)						
	1	End cap	9611-41-633-0	9611-41-633-0	9611-41-633-0	9611-41-633-0	9611-41-633-0	9611-41-633-0
		(Period 8301-8911)						
6	1	Retaining ring	9611-40-2021	9611-40-2021	9611-40-2021	9611-40-2021	9611-40-2021	9611-40-2021
7 Δ	1	O-ring, NBR	9611-99-0396	9611-99-0396	9611-99-0396	9611-99-0396	9611-99-0396	9611-99-0396
8	1	Inner spring	9611-99-1629	9611-99-1629	9611-99-1629	9611-99-1629	9611-99-1629	9611-99-1629
9	1	Outer spring	9611-99-1631	9611-99-1631	9611-99-1631	9611-99-1631	9611-99-1631	9611-99-1631
10Δ	2	Needle bearing	9611-99-1230	9611-99-1230	9611-99-1230	9611-99-1230	9611-99-1230	9611-99-1230
11Δ	2	Needle bearing	9611-99-1231	9611-99-1231	9611-99-1231	9611-99-1231	9611-99-1231	9611-99-1231
12Δ	2	Thrust bearing	9611-99-1236	9611-99-1236	9611-99-1236	9611-99-1236	9611-99-1236	9611-99-1236
14	1	Thrust plate	9611-41-646-0	9611-41-646-0	9611-41-646-0	9611-41-646-0	9611-41-646-0	9611-41-646-0
15Δ	1	O-ring, NBR	9611-99-1233	9611-99-1233	9611-99-1233	9611-99-1233	9611-99-1233	9611-99-1233
16	1	Connex pin	9611-99-1235	9611-99-1235	9611-99-1235	9611-99-1235	9611-99-1235	9611-99-1235
17	1	Coupling	9611-41-644-0	9611-41-645-0	9612-0447-03	9611-41-644-0	9611-41-645-0	9612-0447-03
18	1	Activating ring, Noryl ... with screw	9611-41-669-0	9611-41-669-0	9611-41-669-0	9611-41-669-0	9611-41-669-0	9611-41-669-0
19	1	Water rejector	9611-41-775-0	9611-41-775-0	9611-41-775-0	9611-41-775-0	9611-41-775-0	9611-41-775-0
		(Period 8310-)						
Δ		Service kit	9611-92-3010	9611-92-3010	9611-92-3010	9611-92-3010	9611-92-3010	9611-92-3010

21

Parts marked with Δ are included in the **service kit**.

** End cap for MAG TOP and LKT-S/N (standard now)

NC/NO for Altop

Pos.	Qty.	Denomination Disc connection	NC	NC	NC	NO	NO	NO
			9611-41-678-1 25-63.5 mm NW 25-50 <input type="checkbox"/> 8	9611-41-678-2 76 mm NW 65-80 <input type="checkbox"/> 10	9611-41-678-6 101.6 mm NW 100 <input type="checkbox"/> 12	9611-41-678-4 25-63.5 mm NW 25-50 <input type="checkbox"/> 8	9611-41-678-5 76 mm NW 65-80 <input type="checkbox"/> 10	9611-41-678-7 101.6 mm NW 100 <input type="checkbox"/> 12
5b	1	1 End cap, Mark III	9611-41-674-0	9611-41-674-0	9611-41-674-0	9611-41-674-0	9611-41-674-0	9611-41-674-0
		(Period 9401-)						
	1	2 End cap, Mark II	9611-41-674-0	9611-41-674-0	9611-41-674-0	9611-41-674-0	9611-41-674-0	9611-41-674-0
		(Period 8406-9312)						
	1	3 End cap, Mark I	9611-41-674-0	9611-41-674-0	9611-41-674-0	9611-41-674-0	9611-41-674-0	9611-41-674-0
		(Period 8102-8405)						

All other parts as above.

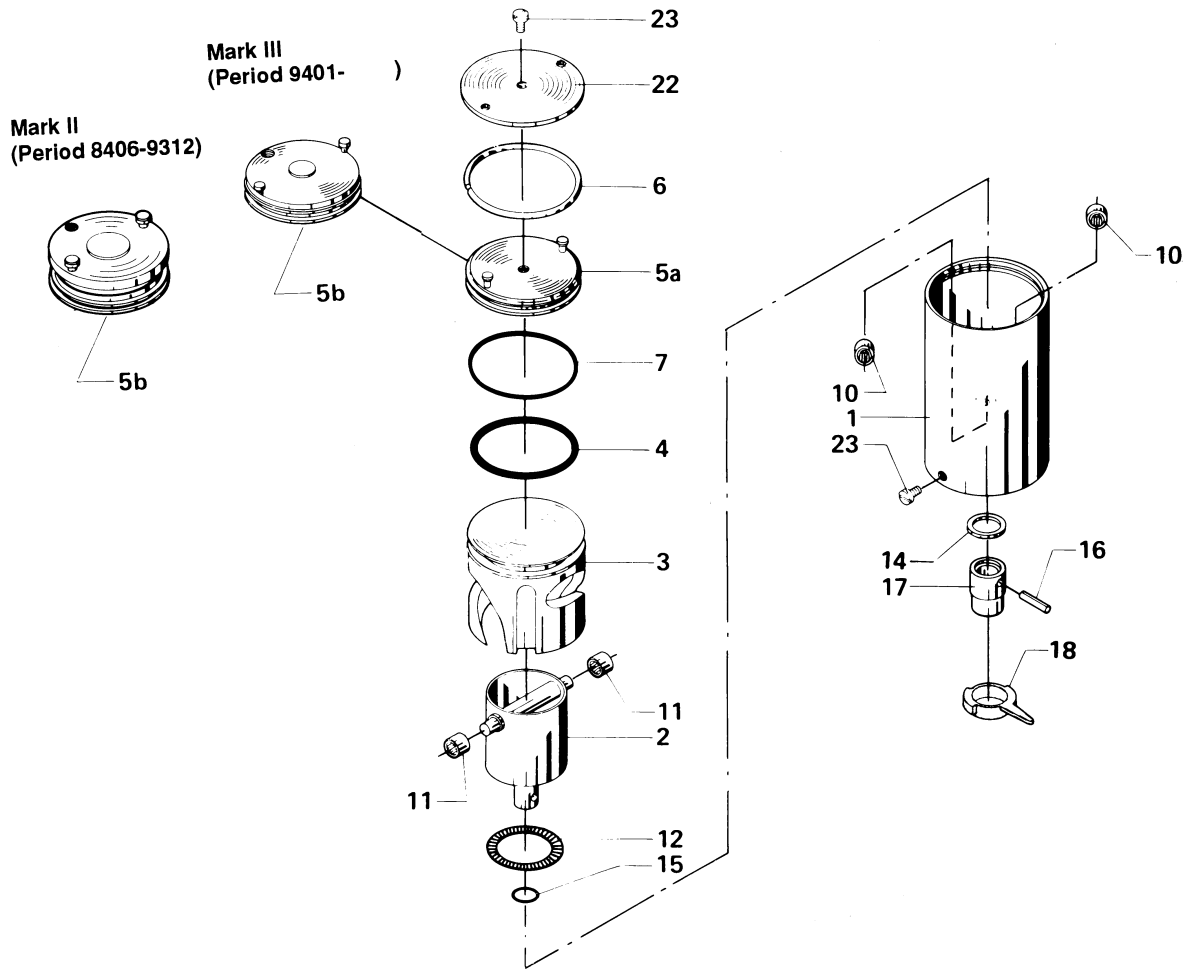
Note:

Butterfly valve 101.6 mm / NW100 sold before 8906 = 10 mm
 Butterfly valve NW 65 (ISO) sold before 8910 = 8 mm
 Please check the square size of the disc when ordering spares.

Recommended spare parts: **Service kit**.

Actuator Air/Air Type LKLA ø85

22



Actuator Air/Air Type LKLA ø85

Pos.	Qty.	Denomination Disc connection	9611-41-749-1	9611-41-749-2	9611-41-749-3
			25-63.5 mm NW 25-50 <input type="checkbox"/> 8	76 mm NW 65-80 <input type="checkbox"/> 10	101.6 mm NW 100 <input type="checkbox"/> 12
1	1	Air Cylinder	9611-41-758-0	9611-41-758-0	9611-41-758-0
2	1	Rotating cylinder	9611-41-744-1	9611-41-744-1	9611-41-744-1
3	1	Piston	9611-41-752-0	9611-41-752-0	9611-41-752-0
4 Δ	1	O-ring, NBR	9611-99-0052	9611-99-0052	9611-99-0052
5a	1	End cap**	31357-0740-1	31357-0740-1	31357-0740-1
	1	(Period 8911-) End cap	9611-41-633-0	9611-41-633-0	9611-41-633-0
	1	(Period 8301-8910) Retaining ring	9611-40-2021	9611-40-2021	9611-40-2021
7 Δ	1	O-ring, NBR	9611-99-0396	9611-99-0396	9611-99-0396
10Δ	2	Needle bearing	9611-99-1230	9611-99-1230	9611-99-1230
11Δ	2	Needle bearing	9611-99-1231	9611-99-1231	9611-99-1231
12Δ	1	Thrust bearing	9611-99-1236	9611-99-1236	9611-99-1236
14	1	Thrust plate	9611-41-757-0	9611-41-757-0	9611-41-757-0
15Δ	1	O-ring, NBR	9611-99-1233	9611-99-1233	9611-99-1233
16	1	Connex pin	9611-99-1235	9611-99-1235	9611-99-1235
17	1	Coupling	9611-41-755-1	9611-41-756-1	9612-0448-02
18	1	Activating ring	9611-41-669-0	9611-41-669-0	9611-41-669-0
		with screw			
22***	1	Retaining plate	9611-41-437-0	9611-41-437-0	9611-41-437-0
23	2	Threaded plug	9611-99-1221	9611-99-1221	9611-99-1221
Δ		Service kit	9611-92-3011	9611-92-3011	9611-92-3011

Parts marked with Δ are included in the **service kit**.

** End cap for MAG TOP and LKT-S/N (standard now)

*** Up to 8910 supplied without holes, not available anymore

Air/Air for Altop

Pos.	Qty.	Denomination Disc connection	9612-0812-02	9612-0812-03	9612-0812-04
			25-63.5 mm NW 25-50 <input type="checkbox"/> 8	76 mm NW 65-80 <input type="checkbox"/> 10	101.6 mm NW 100 <input type="checkbox"/> 12
5b	1	End cap, Mark III	9611-41-674-0	9611-41-674-0	9611-41-674-0
	1	(Period 9401-) End cap, Mark II	9611-41-858-1	9611-41-858-1	9611-41-858-1
		with fixation screw (Period -9312)			

All other parts as above.

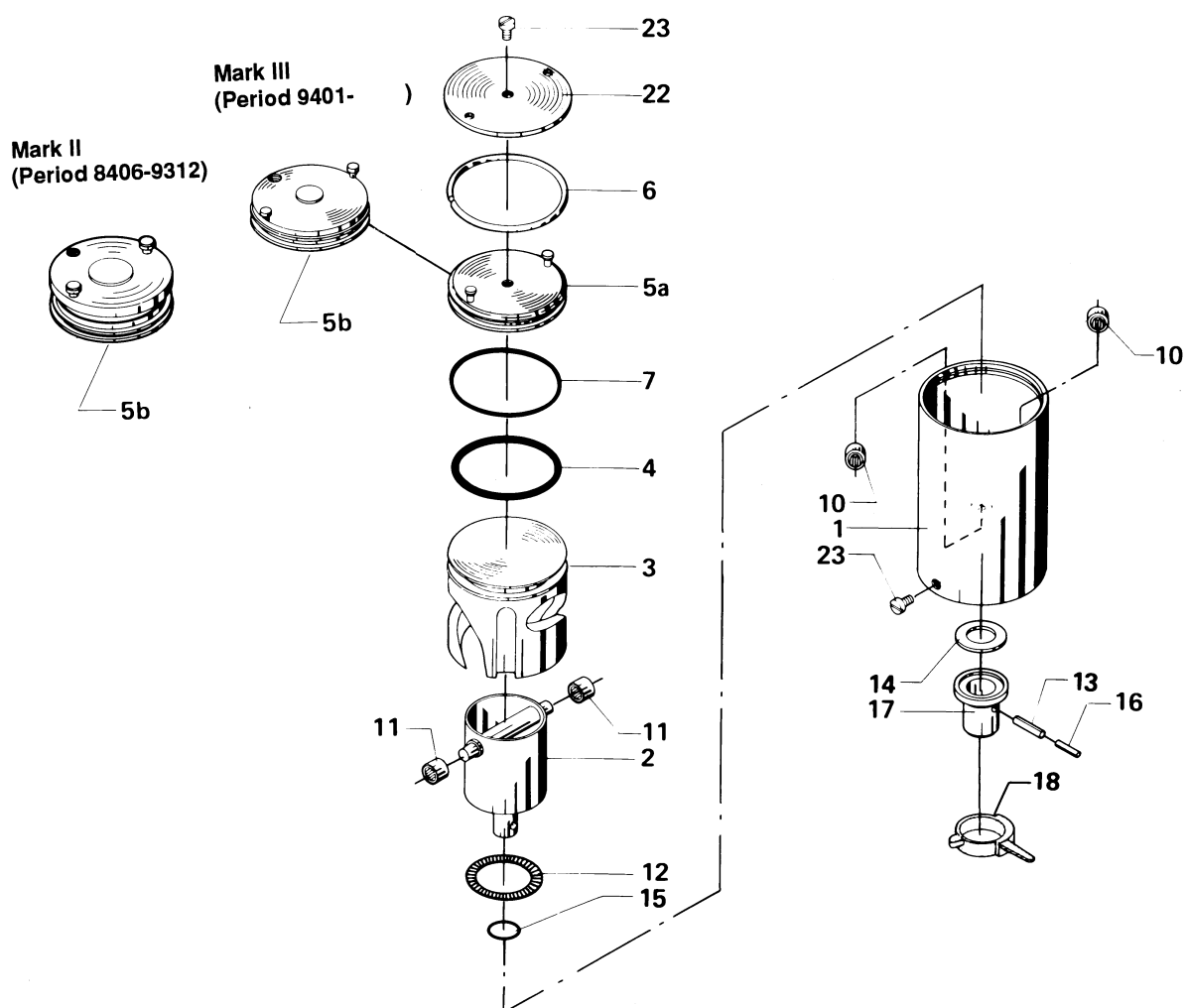
Note:

Butterfly valve 101.6 mm / NW100 sold before 8906 = 10 mm
 Butterfly valve NW 65 (ISO) sold before 8910 = 8 mm
 Please check the square size of the disc when ordering spares.

Recommended spare parts: **Service kit**.

Actuator Air/Air Type LKLA NW125-150 ø85

24



Actuator Air/Air Type LKLA NW125-150 ø85

Pos.	Qty.	Disc connection Denomination	9611-41-750-2	9611-41-750-0
			<input type="checkbox"/> 14 NW 125	<input type="checkbox"/> 15 NW 150
1	1	Air Cylinder	9611-41-742-0	9611-41-742-0
2	1	Rotating cylinder	9611-41-744-0	9611-41-744-0
3	1	Piston	9611-41-752-0	9611-41-752-0
4 Δ	1	O-ring, NBR	9611-99-0052	9611-99-0052
5a	1	End cap**	31357-0740-1	31357-0740-1
		(Period 8911-)		
	1	End cap	9611-41-633-0	9611-41-633-0
		(Period 8301-8910)		
6	1	Retaining ring	9611-40-202-1	9611-40-202-1
7 Δ	1	O-ring, NBR	9611-99-0396	9611-99-0396
10Δ	2	Needle bearing	9611-99-1230	9611-99-1230
11Δ	2	Needle bearing	9611-99-1231	9611-99-1231
12Δ	1	Thrust bearing	9611-99-1236	9611-99-1236
13	1	Connex pin	9611-99-1314	9611-99-1314
14	1	Thrust plate	9611-41-754-0	9611-41-754-0
15Δ	1	O-ring, NBR	9611-99-0030	9611-99-0030
16	1	Connex pin	9611-99-1313	9611-99-1313
17	1	Coupling	9612-2856-02	9611-41-747-1
18	1	Activating ring	9611-41-665-0	9611-41-665-0
		with screw		
22***	1	Retaining plate	9611-41-437-0	9611-41-437-0
23	2	Threaded plug	9611-99-1221	9611-99-1221
Δ		Service kit	9611-92-3012	9611-92-3012

Parts marked with Δ are included in the **service kit**.

** End cap for MAG TOP and LKT-S/N (standard now)

*** Up to 8910 supplied without holes, not available anymore

Air/Air for Altop

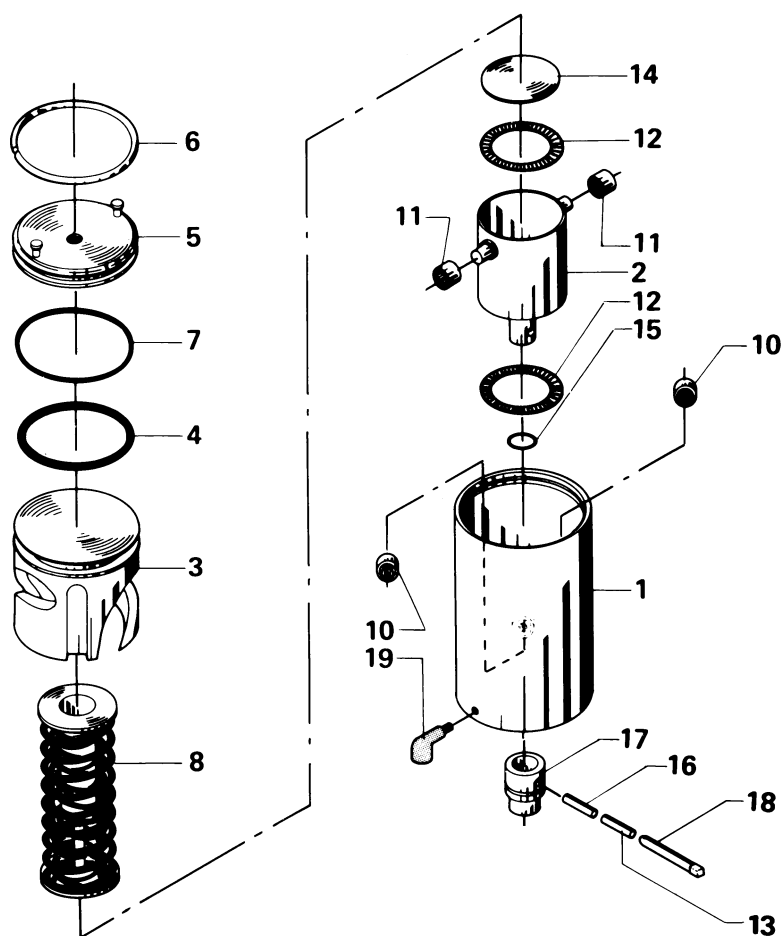
Pos.	Qty.	Disc connection Denomination	<input type="checkbox"/> 14	<input type="checkbox"/> 15
			9612-0813-02	9612-0813-01
5b	1	End cap, Mark III	9612-41-674-0	9612-41-674-0
		(Period 9401-)		
	1	End cap, MarkII	9611-41-858-1	9611-41-858-1
		with fixation screw		
		(Period -9312)		

All other parts as above.

Recommended spare parts: **Service kit**.

**Actuator Air/Spring
Type LKLA (NC-NO) ø133**

26



Actuator Air/Spring Type LKLA (NC-NO) ø133

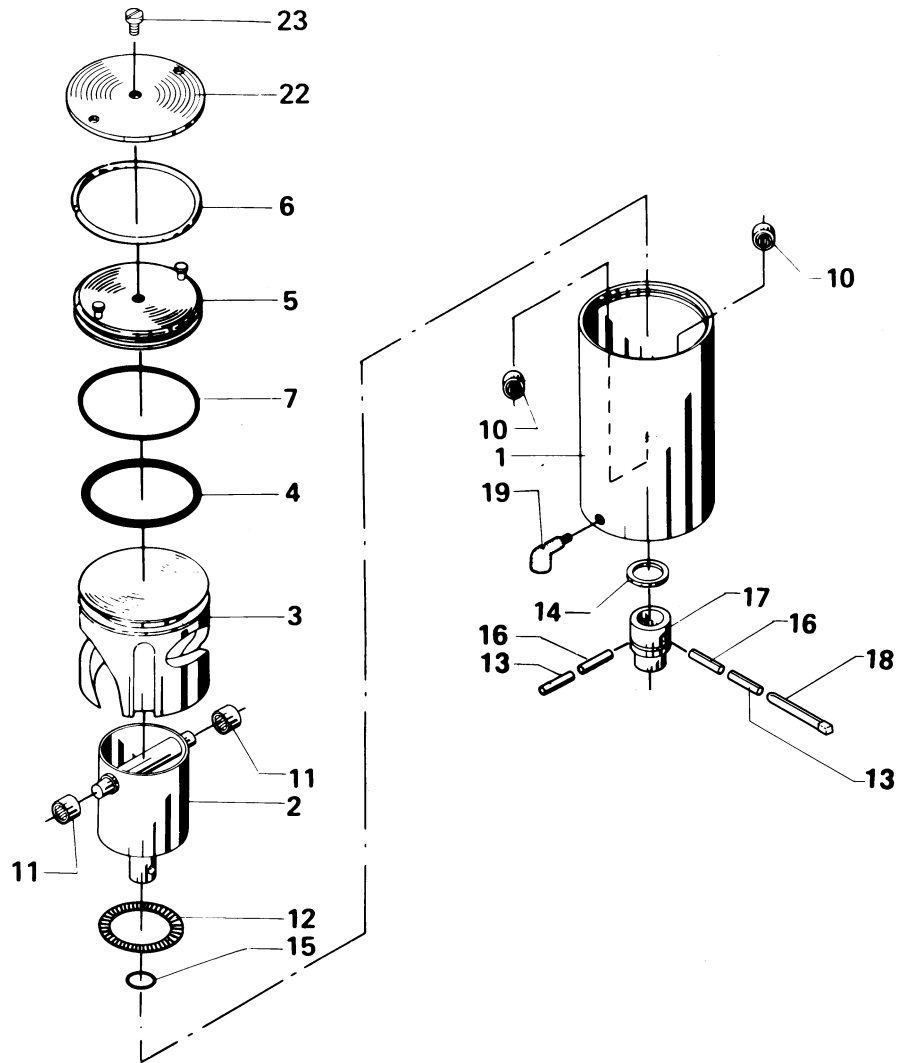
Pos.	Qty.	Denomination Disc connection	NC	NO	NC	NO	NC	NO
			9612-2713-06	9612-2713-07	9612-2713-11	9612-2713-12	9612-2713-16	9612-2713-17
			101.6 mm NW 100 <input type="checkbox"/> 12	101.6 mm NW 100 <input type="checkbox"/> 12	NW 125 <input type="checkbox"/> 14	NW 125 <input type="checkbox"/> 14	NW 150 <input type="checkbox"/> 15	NW 150 <input type="checkbox"/> 15
1	1	Air cylinder	9612-2685-01	9612-2685-01	9612-2685-01	9612-2685-01	9612-2685-01	9612-2685-01
2	1	Rotating cylinder	9612-2678-01	9612-2678-01	9612-2678-01	9612-2678-01	9612-2678-01	9612-2678-01
3	1	Piston	9612-2700-01	9612-2680-01	9612-2700-01	9612-2680-01	9612-2700-01	9612-2680-01
4	Δ 1	O-ring, NBR	9611-99-2367	9611-99-2367	9611-99-2367	9611-99-2367	9611-99-2367	9611-99-2367
5	1	End cap	9612-2714-01	9612-2714-01	9612-2714-01	9612-2714-01	9612-2714-01	9612-2714-01
6	1	Retaining ring	9612-2682-01	9612-2682-01	9612-2682-01	9612-2682-01	9612-2682-01	9612-2682-01
7	Δ 1	O-ring, NBR	9611-99-0035	9611-99-0035	9611-99-0035	9611-99-0035	9611-99-0035	9611-99-0035
8	1	Spring assembly	9612-2701-01	9612-2701-01	9612-2701-01	9612-2701-01	9612-2701-01	9612-2701-01
10	Δ 2	Needle bearing	9611-99-1231	9611-99-1231	9611-99-1231	9611-99-1231	9611-99-1231	9611-99-1231
11	Δ 2	Needle bearing	9611-99-2355	9611-99-2355	9611-99-2355	9611-99-2355	9611-99-2355	9611-99-2355
12	Δ 2	Thrust bearing	9611-99-2347	9611-99-2347	9611-99-2347	9611-99-2347	9611-99-2347	9611-99-2347
13	1	Connex pin	9611-99-2357	9611-99-2357	9611-99-2357	9611-99-2357	9611-99-2357	9611-99-2357
14	1	Thrust plate	9612-2671-01	9612-2671-01	9612-2671-01	9612-2671-01	9612-2671-01	9612-2671-01
15	Δ 1	O-ring, NBR	9611-99-0079	9611-99-0079	9611-99-0079	9611-99-0079	9611-99-0079	9611-99-0079
16	1	Connex pin	9611-99-2358	9611-99-2358	9611-99-2358	9611-99-2358	9611-99-2358	9611-99-2358
17	1	Coupling	9612-2715-01	9612-2715-01	9612-2715-02	9612-2715-02	9612-2715-03	9612-2715-03
18	1	Indication pin	9612-2719-01	9612-2719-01	9612-2719-01	9612-2719-01	9612-2719-01	9612-2719-01
19	1	Water rejector	9611-41-775-0	9611-41-775-0	9611-41-775-0	9611-41-775-0	9611-41-775-0	9611-41-775-0
Δ		Service kit	9611-92-3020	9611-92-3020	9611-92-3020	9611-92-3020	9611-92-3020	9611-92-3020

Parts marked with Δ are included in the **service kit**.

Recommended spare parts: **Service kit**.

Actuator Air/Air
Type LKLA ø133

28



Actuator Air/Air Type LKLA ø133

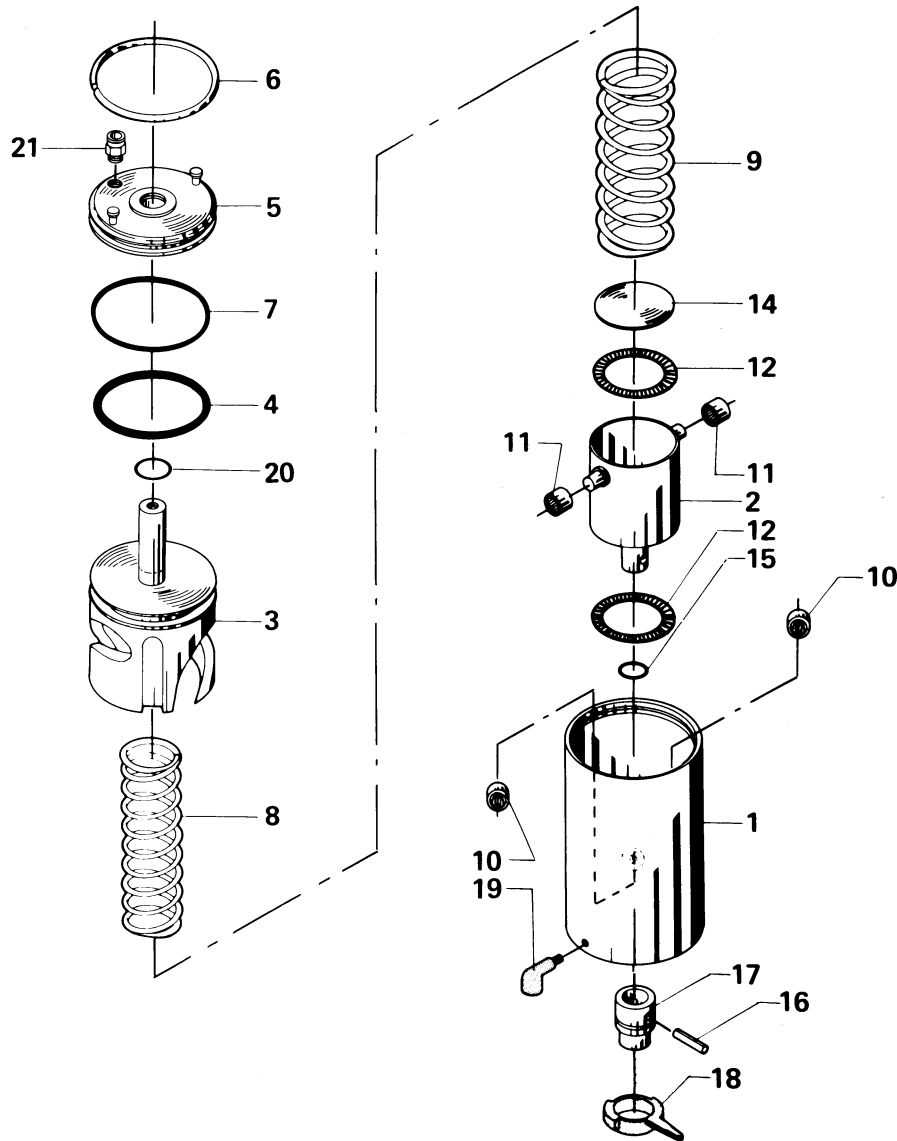
Pos.	Qty.	Denomination Disc connection	9612-2713-08	9612-2713-13	9612-2713-18
			101.6 mm NW 100 □ 12	NW 125 □ 14	NW 150 □ 15
1	1	Air Cylinder	9612-2685-01	9612-2685-01	9612-2685-01
2	1	Rotating cylinder	9612-2678-01	9612-2678-01	9612-2678-01
3	1	Piston	9612-2680-01	9612-2680-01	9612-2680-01
4Δ	1	O-ring, NBR	9611-99-2367	9611-99-2367	9611-99-2367
5	1	End cap	9612-2714-01	9612-2714-01	9612-2714-01
6	1	Retaining ring	9612-2682-01	9612-2682-01	9612-2682-01
7Δ	1	O-ring, NBR	9611-99-0035	9611-99-0035	9611-99-0035
10Δ	2	Needle bearing	9611-99-1231	9611-99-1231	9611-99-1231
11Δ	2	Needle bearing	9611-99-2355	9611-99-2355	9611-99-2355
12Δ	1	Thrust bearing	9611-99-2347	9611-99-2347	9611-99-2347
13	2	Connex pin	9611-99-2358	9611-99-2358	9611-99-2358
14	1	Thrust plate	9612-2804-01	9612-2804-01	9612-2804-01
15Δ	1	O-ring, NBR	9611-99-0079	9611-99-0079	9611-99-0079
16	2	Connex pin	9611-99-2357	9611-99-2357	9611-99-2357
17	1	Coupling	9612-2827-01	9612-2827-02	9612-2827-03
18	1	Indication pin	9612-2719-01	9612-2719-01	9612-2719-01
19	1	Water rejector	9611-41-775-0	9611-41-775-0	9611-41-775-0
22	1	Retaining plate	9612-3486-01	9612-3486-01	9612-3486-01
23	1	Threaded plug	9611-99-1221	9611-99-1221	9611-99-1221
Δ		Service kit.	9611-92-3022	9611-92-3022	9611-92-3022

Parts marked with Δ are included in the **service kit**.

Recommended spare parts: **Service kit**.

Actuator Air/Spring
Type LKLA-T (NC-NO) ø85

30



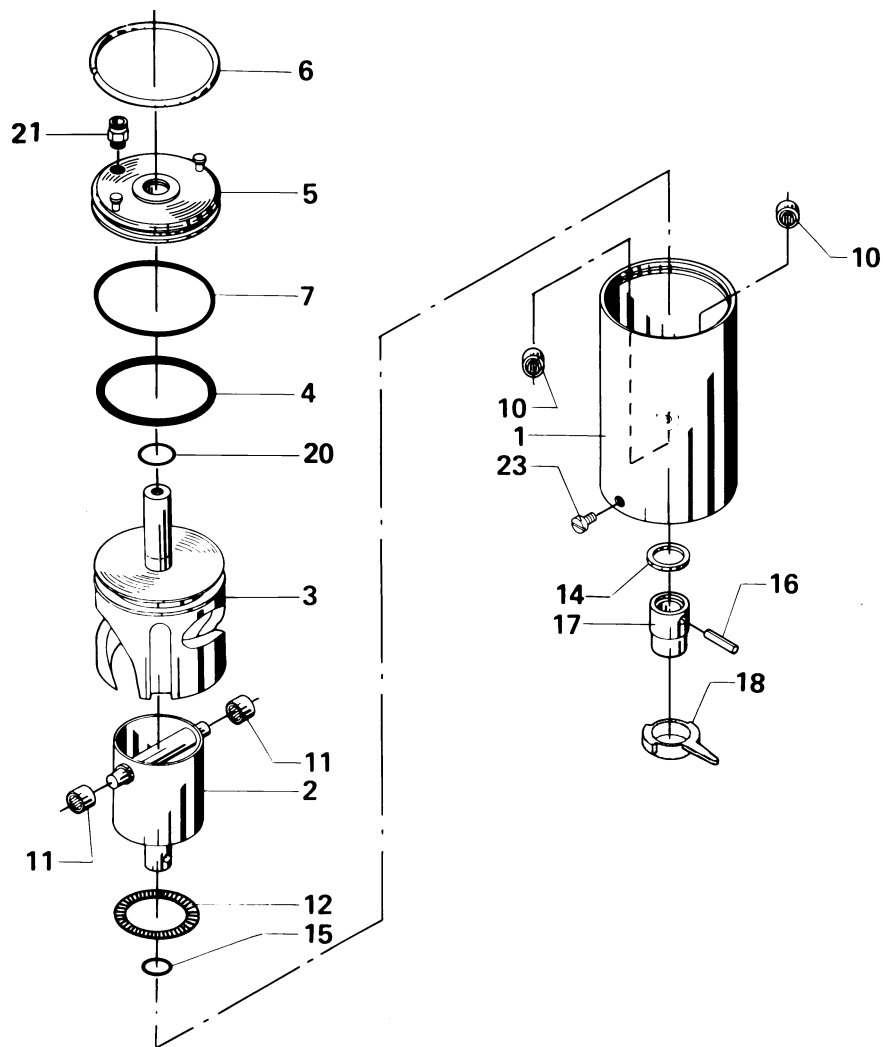
Actuator Air/Spring Type LKLA-T (NC-NO) ø85

Pos.	Qty.	Denomination Disc connection	NC	NC	NC	NO	NO	NO
			9612-1940-02 25-63.5 mm NW 25-50 <input type="checkbox"/> 8	9612-1940-03 76 mm NW 65-80 <input type="checkbox"/> 10	9612-1940-07 101.6 mm NW 100 <input type="checkbox"/> 12	9612-1940-05 25-63.5 mm NW 25-50 <input type="checkbox"/> 8	9612-1940-06 76 mm NW 65-80 <input type="checkbox"/> 10	9612-1940-08 101.6 mm NW 100 <input type="checkbox"/> 12
1	1	Air cylinder	9611-41-758-0	9611-41-758-0	9611-41-758-0	9611-41-758-0	9611-41-758-0	9611-41-758-0
2	1	Rotating cylinder	9611-41-638-0	9611-41-638-0	9611-41-638-0	9611-41-638-0	9611-41-638-0	9611-41-638-0
3	1	Piston	9612-1939-02	9612-1939-02	9612-1939-02	9612-1939-01	9612-1939-01	9612-1939-01
4 Δ	1	O-ring, NBR	9611-99-0052	9611-99-0052	9611-99-0052	9611-99-0052	9611-99-0052	9611-99-0052
5	1	End cap	9612-1936-01	9612-1936-01	9612-1936-01	9612-1936-01	9612-1936-01	9612-1936-01
6	1	Retaining ring	9611-40-202-1	9611-40-202-1	9611-40-202-1	9611-40-202-1	9611-40-202-1	9611-40-202-1
7 Δ	1	O-ring, NBR	9611-99-0396	9611-99-0396	9611-99-0396	9611-99-0396	9611-99-0396	9611-99-0396
8	1	Inner spring	9611-99-1629	9611-99-1629	9611-99-1629	9611-99-1629	9611-99-1629	9611-99-1629
9	1	Outer spring	9611-99-1631	9611-99-1631	9611-99-1631	9611-99-1631	9611-99-1631	9611-99-1631
10Δ	2	Needle bearing	9611-99-1230	9611-99-1230	9611-99-1230	9611-99-1230	9611-99-1230	9611-99-1230
11Δ	2	Needle bearing	9611-99-1231	9611-99-1231	9611-99-1231	9611-99-1231	9611-99-1231	9611-99-1231
12Δ	2	Thrust bearing	9611-99-1236	9611-99-1236	9611-99-1236	9611-99-1236	9611-99-1236	9611-99-1236
14	1	Thrust plate	9611-41-646-0	9611-41-646-0	9611-41-646-0	9611-41-646-0	9611-41-646-0	9611-41-646-0
15Δ	1	O-ring, NBR	9611-99-1233	9611-99-1233	9611-99-1233	9611-99-1233	9611-99-1233	9611-99-1233
16	1	Connex pin	9611-99-1235	9611-99-1235	9611-99-1235	9611-99-1235	9611-99-1235	9611-99-1235
17	1	Coupling	9611-41-644-0	9611-41-645-0	9612-0447-03	9611-41-644-0	9611-41-645-0	9612-0447-03
18	1	Activating ring	9611-41-669-0	9611-41-669-0	9611-41-669-0	9611-41-669-0	9611-41-669-0	9611-41-669-0
		with screw						
19	1	Water rejector	9611-41-775-0	9611-41-775-0	9611-41-775-0	9611-41-775-0	9611-41-775-0	9611-41-775-0
20Δ	1	O-ring, NBR	223404-21	223404-21	223404-21	223404-21	223404-21	223404-21
21	1	Air fitting	9611-99-2323	9611-99-2323	9611-99-2323	9611-99-2323	9611-99-2323	9611-99-2323
Δ		Service kit	9611-92-3021	9611-92-3021	9611-92-3021	9611-92-3021	9611-92-3021	9611-92-3021

Parts marked with Δ are included in the **service kit**.

Actuator Air/Air
Type LKLA-T ø85

32



Actuator Air/Air Type LKLA-T ø85

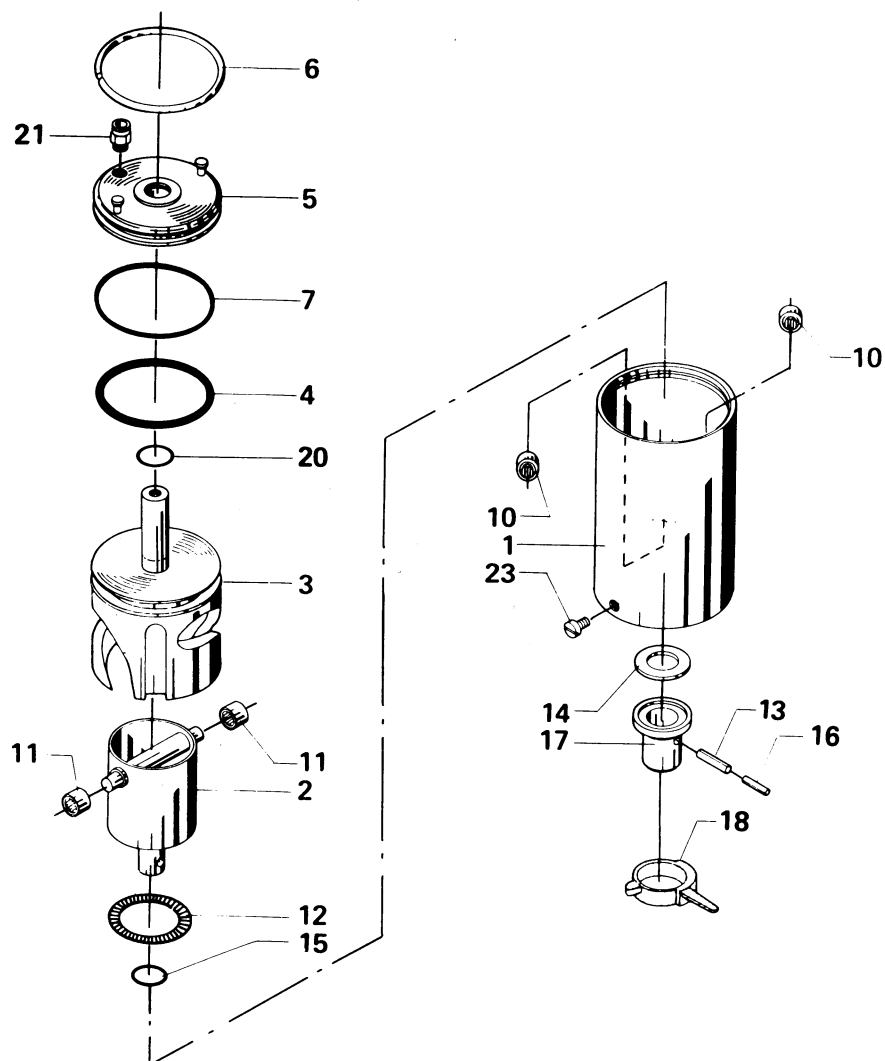
Pos.	Qty.	Denomination Disc connection	9612-1941-02	9612-1941-03	9612-1941-04
			25-63.5 mm NW 25-50 □ 8	76 mm NW 65-80 □ 10	101.6 mm NW 100 □ 12
1	1	Air cylinder.....	9611-41-758-0	9611-41-758-0	9611-41-758-0
2	1	Rotating cylinder	9611-41-744-1	9611-41-744-1	9611-41-744-1
3	1	Piston	9612-1939-03	9612-1939-03	9612-1939-03
4 Δ	1	O-ring, NBR	9611-99-0052	9611-99-0052	9611-99-0052
5	1	End cap	9612-1936-01	9612-1936-01	9612-1936-01
6	1	Retaining ring	9611-40-202-1	9611-40-202-1	9611-40-202-1
7 Δ	1	O-ring, NBR	9611-99-0396	9611-99-0396	9611-99-0396
10Δ	2	Needle bearing	9611-99-1230	9611-99-1230	9611-99-1230
11Δ	2	Needle bearing	9611-99-1231	9611-99-1231	9611-99-1231
12Δ	1	Thrust bearing	9611-99-1236	9611-99-1236	9611-99-1236
14	1	Thrust plate	9611-41-757-0	9611-41-757-0	9611-41-757-0
15Δ	1	O-ring, NBR	9611-99-1233	9611-99-1233	9611-99-1233
16	1	Connex pin	9611-99-1235	9611-99-1235	9611-99-1235
17	1	Coupling	9611-41-755-1	9611-41-756-1	9612-0448-02
18	1	Activating ring with screw	9611-41-669-0	9611-41-669-0	9611-41-669-0
20Δ	1	O-ring, NBR	223404-21	223404-21	223404-21
21	1	Air fitting.....	9611-99-2323	9611-99-2323	9611-99-2323
23	1	Threaded plug	9611-99-1221	9611-99-1221	9611-99-1221
Δ		Service kit	9611-92-3023	9611-92-3023	9611-92-3023

Parts marked with Δ are included in the **service kit**.

Recommended spare parts: **Service kit**.

Actuator Air/Air
Type LKLA-T NW125-150 ø85

34



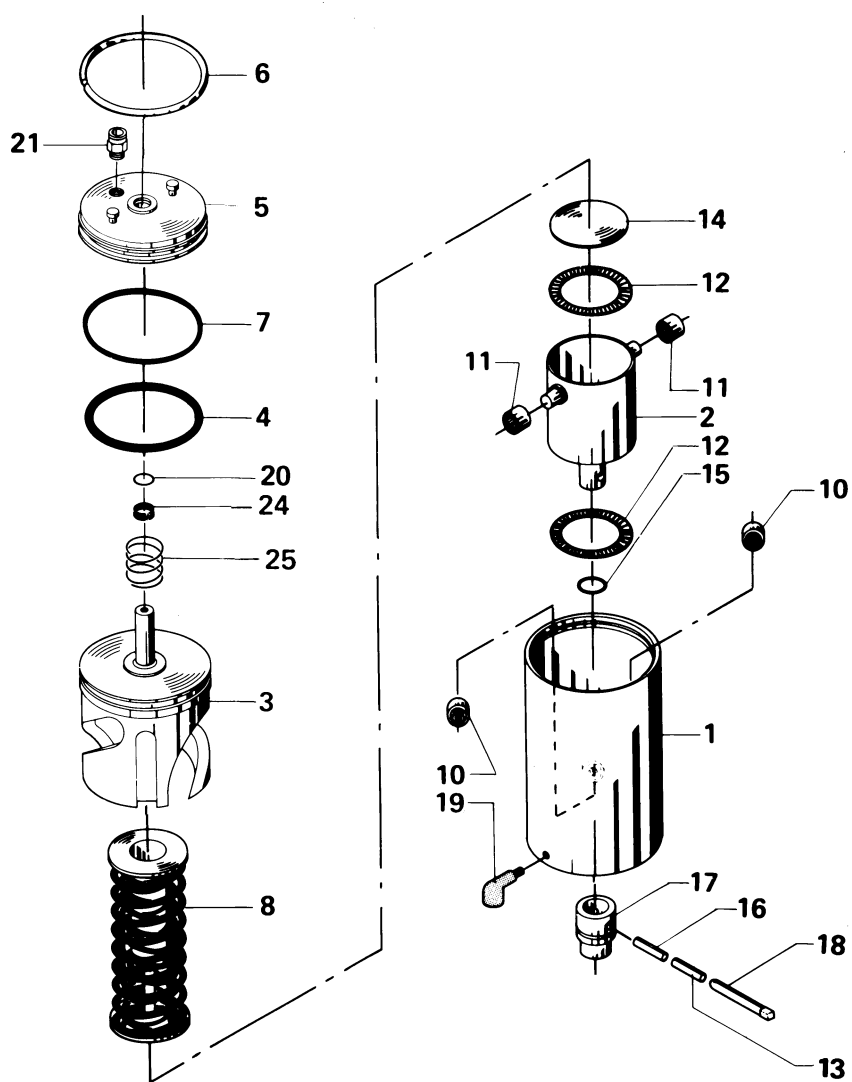
Actuator Air/Air Type LKLA-T NW125-150 ø85

Pos.	Qty.	Disc connection Denomination	9612-1942-02	9612-1942-01
			<input type="checkbox"/> 14 NW 125	<input type="checkbox"/> 15 NW 150
1	1	Air cylinder	9611-41-742-0	9611-41-742-0
2	1	Rotating cylinder	9611-41-744-0	9611-41-744-0
3	1	Piston	9612-1939-03	9612-1939-03
4 Δ	1	O-ring, NBR	9611-99-0052	9611-99-0052
5	1	End cap	9612-1936-01	9612-1936-01
6	1	Retaining ring	9611-40-202-1	9611-40-202-1
7 Δ	1	O-ring, NBR	9611-99-0396	9611-99-0396
10Δ	2	Needle bearing	9611-99-1230	9611-99-1230
11Δ	2	Needle bearing	9611-99-1231	9611-99-1231
12Δ	1	Thrust bearing	9611-99-1236	9611-99-1236
13	1	Connex pin	9611-99-1314	9611-99-1314
14	1	Thrust plate	9611-41-754-0	9611-41-754-0
15Δ	1	O-ring, NBR	9611-99-0030	9611-99-0030
16	1	Connex pin	9611-99-1313	9611-99-1313
17	1	Coupling	9612-2856-02	9611-41-747-1
18	1	Activating ring with screw	9611-41-665-0	9611-41-665-0
20Δ	1	O-ring, NBR	223404-21	223404-21
21	1	Air fitting	9611-99-2323	9611-99-2323
23	1	Threaded plug	9611-99-1221	9611-99-1221
Δ		Service kit	9611-92-3024	9611-92-3024

Parts marked with Δ are included in the **service kit**.

Actuator Air/Spring
Type LKLA-T (NC-NO) $\varnothing 133$

36



Actuator Air/Spring Type LKLA-T (NC-NO) ø133

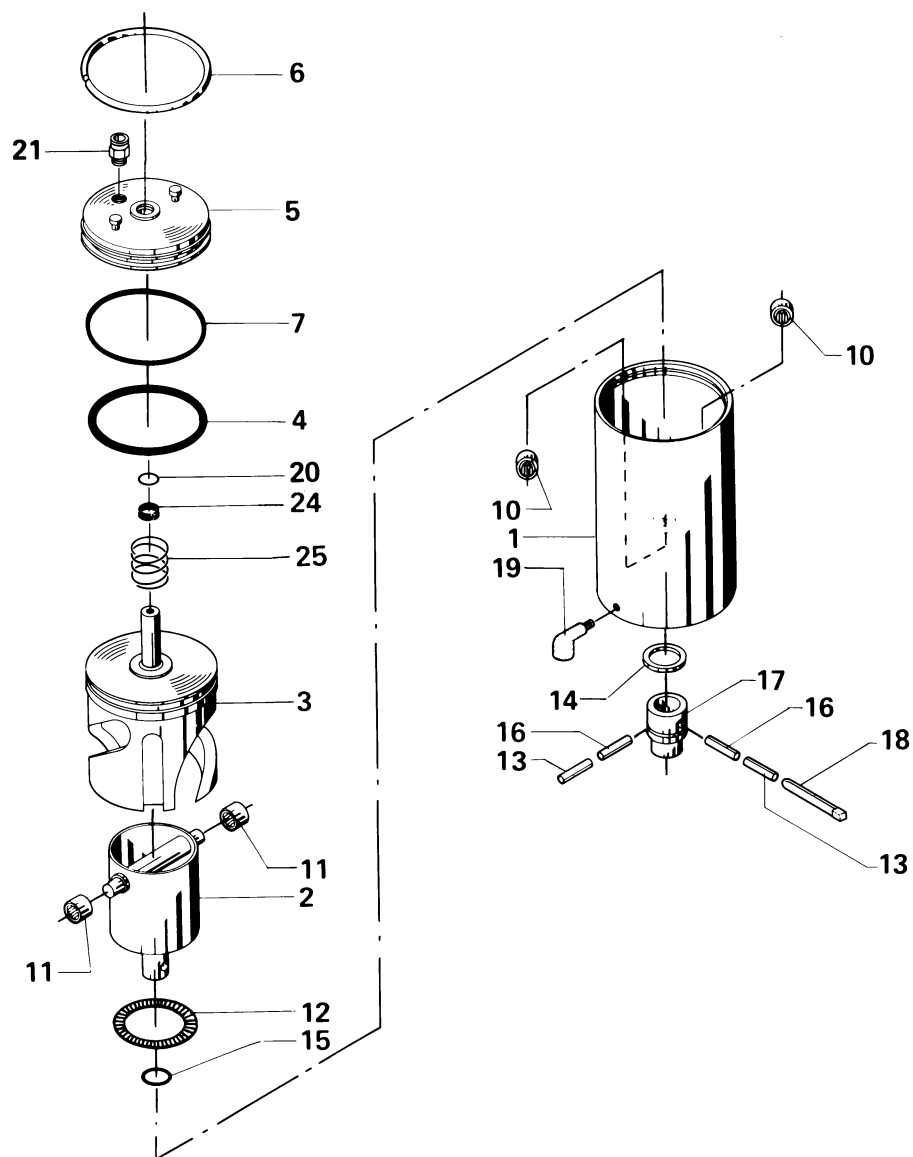
Pos.	Qty.	Denomination Disc connection	NC	NO	NC	NO	NC	NO
			9612-3749-06	9612-3749-07	9612-3749-11	9612-3749-12	9612-3749-16	9612-3749-17
			101.6 mm NW 100 <input type="checkbox"/> 12	101.6 mm NW 100 <input type="checkbox"/> 12	NW 125 <input type="checkbox"/> 14	NW 125 <input type="checkbox"/> 14	NW 150 <input type="checkbox"/> 15	NW 150 <input type="checkbox"/> 15
1	1	Air cylinder	9612-2685-01	9612-2685-01	9612-2685-01	9612-2685-01	9612-2685-01	9612-2685-01
2	1	Rotating cylinder	9612-2678-01	9612-2678-01	9612-2678-01	9612-2678-01	9612-2678-01	9612-2678-01
3	1	Piston	9612-3699-01	9612-3699-02	9612-3699-01	9612-3699-02	9612-3699-01	9612-3699-02
4	Δ 1	O-ring, NBR	9611-99-2367	9611-99-2367	9611-99-2367	9611-99-2367	9611-99-2367	9611-99-2367
5	1	End cap	9612-2714-02	9612-2714-02	9612-2714-02	9612-2714-02	9612-2714-02	9612-2714-02
6	1	Retaining ring	9612-2682-01	9612-2682-01	9612-2682-01	9612-2682-01	9612-2682-01	9612-2682-01
7	Δ 1	O-ring, NBR	9611-99-0035	9611-99-0035	9611-99-0035	9611-99-0035	9611-99-0035	9611-99-0035
8	1	Spring assembly	9612-2701-01	9612-2701-01	9612-2701-01	9612-2701-01	9612-2701-01	9612-2701-01
10	Δ 2	Needle bearing	9611-99-1231	9611-99-1231	9611-99-1231	9611-99-1231	9611-99-1231	9611-99-1231
11	Δ 2	Needle bearing	9611-99-2355	9611-99-2355	9611-99-2355	9611-99-2355	9611-99-2355	9611-99-2355
12	Δ 2	Thrust bearing	9611-99-2347	9611-99-2347	9611-99-2347	9611-99-2347	9611-99-2347	9611-99-2347
13	1	Connex pin	9611-99-2357	9611-99-2357	9611-99-2357	9611-99-2357	9611-99-2357	9611-99-2357
14	1	Thrust plate	9612-2671-01	9612-2671-01	9612-2671-01	9612-2671-01	9612-2671-01	9612-2671-01
15	Δ 1	O-ring, NBR	9611-99-0079	9611-99-0079	9611-99-0079	9611-99-0079	9611-99-0079	9611-99-0079
16	1	Connex pin	9611-99-2358	9611-99-2358	9611-99-2358	9611-99-2358	9611-99-2358	9611-99-2358
17	1	Coupling	9612-2715-01	9612-2715-01	9612-2715-02	9612-2715-02	9612-2715-03	9612-2715-03
18	1	Indication pin	9612-2719-01	9612-2719-01	9612-2719-01	9612-2719-01	9612-2719-01	9612-2719-01
19	1	Water rejector	9611-41-775-0	9611-41-775-0	9611-41-775-0	9611-41-775-0	9611-41-775-0	9611-41-775-0
20	Δ 1	O-ring	223404-21	223404-21	223404-21	223404-21	223404-21	223404-21
21	1	Air fitting	9611-99-2323	9611-99-2323	9611-99-2323	9611-99-2323	9611-99-2323	9611-99-2323
24	Δ 1	Guiding ring	9612-3698-01	9612-3698-01	9612-3698-01	9612-3698-01	9612-3698-01	9612-3698-01
25	1	Spring	9612-3700-01	9612-3700-01	9612-3700-01	9612-3700-01	9612-3700-01	9612-3700-01
Δ		Service kit	9611-92-3056	9611-92-3056	9611-92-3056	9611-92-3056	9611-92-3056	9611-92-3056

Parts marked with Δ are included in the **service kit**.

Recommended spare parts: **Service kit**.

Actuator Air/Air Type LKLA-T ø133

38



Actuator Air/Air Type LKLA-T ø133

Pos.	Qty.	Denomination Disc connection	9612-3749-08	9612-3749-13	9612-3749-18
			101.6 mm NW 100 □ 12	NW 125 □ 14	NW 150 □ 15
1	1	Air cylinder	9612-2685-01	9612-2685-01	9612-2685-01
2	1	Rotating cylinder	9612-2678-01	9612-2678-01	9612-2678-01
3	1	Piston	9612-3699-02	9612-3699-02	9612-3699-02
4Δ	1	O-ring, NBR	9611-99-2367	9611-99-2367	9611-99-2367
5	1	End cap	9612-2714-02	9612-2714-02	9612-2714-02
6	1	Retaining ring	9612-2682-01	9612-2682-01	9612-2682-01
7Δ	1	O-ring, NBR	9611-99-0035	9611-99-0035	9611-99-0035
10Δ	2	Needle bearing	9611-99-1231	9611-99-1231	9611-99-1231
11Δ	2	Needle bearing	9611-99-2355	9611-99-2355	9611-99-2355
12Δ	1	Thrust bearing	9611-99-2347	9611-99-2347	9611-99-2347
13	2	Connex pin	9611-99-2358	9611-99-2358	9611-99-2358
14	1	Thrust plate	9612-2804-01	9612-2804-01	9612-2804-01
15Δ	1	O-ring, NBR	9611-99-0079	9611-99-0079	9611-99-0079
16	2	Connex pin	9611-99-2357	9611-99-2357	9611-99-2357
17	1	Coupling	9612-2827-01	9612-2827-02	9612-2827-03
18	1	Indication pin	9612-2719-01	9612-2719-01	9612-2719-01
19	1	Water rejector	9611-41-775-0	9611-41-775-0	9611-41-775-0
20Δ	1	O-ring, NBR	223404-21	223404-21	223404-21
21	1	Air fitting	9611-99-2323	9611-99-2323	9611-99-2323
24Δ	1	Guiding band	9612-3698-01	9612-3698-01	9612-3698-01
25	1	Spring	9612-3700-01	9612-3700-01	9612-3700-01
Δ		Service kit	9611-92-3057	9611-92-3057	9611-92-3057

Parts marked with Δ are included in the **service kit**.

The information contained herein is correct at the time of issue but may be subject to change without prior notice.