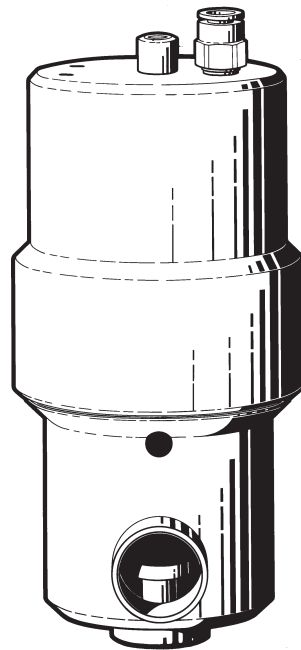


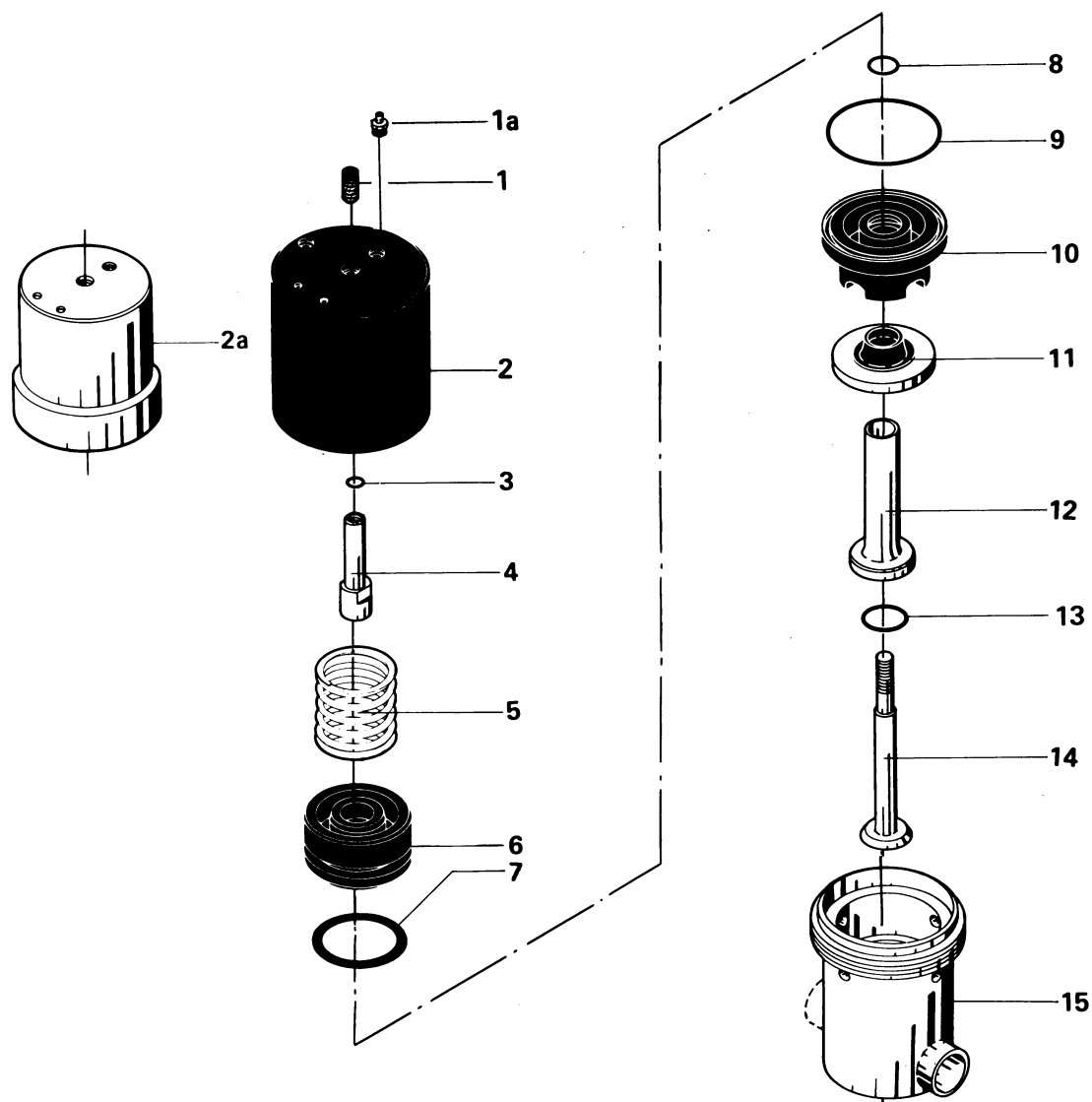
Spare Parts

# LKAP Air-Operated Valve



# Air-Operated Valves with Welding Ends Types LKAP-V & LKAP-T

2



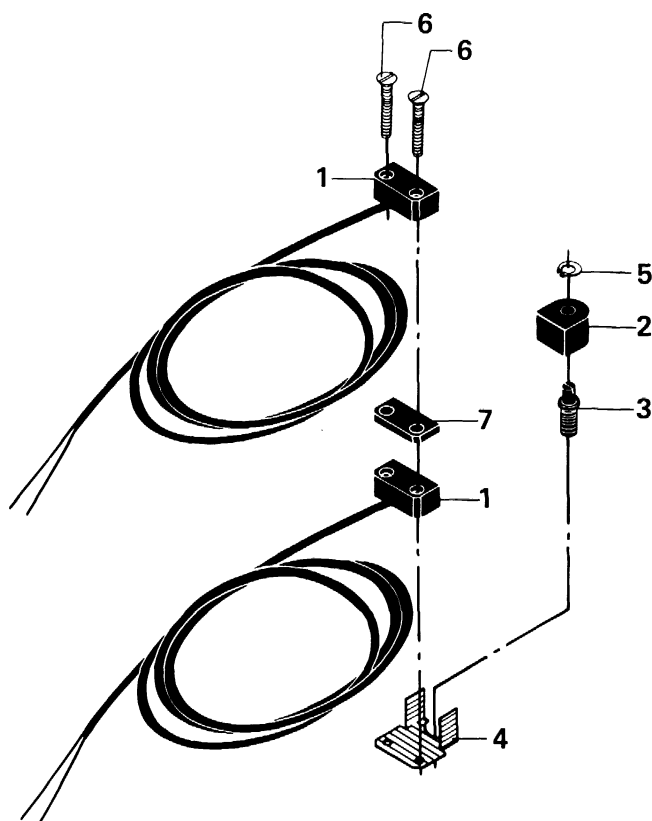
## Air-Operated Valves with Welding Ends Types LKAP-V & LKAP-T

Pos.	Qty.	Denomination	25 mm
1	1	Pointed screw .....	9611-99-0217
1a	1	Plug .....	31353-0154-1
2	1	Air cylinder, Stainless steel (standard) ..	9612-0814-01
2a	1	Air cylinder, noryle .....	9611-40-2431
3●	1	O-ring (NBR) .....	9611-99-0038
4	1	Nut .....	9611-40-2441
5	1	Spring .....	9611-99-0410
6	1	Piston .....	9611-40-2433
7●	1	O-ring (NBR) .....	9611-99-0039
8●	1	O-ring (NBR) .....	9611-99-0049
9●	1	O-ring (NBR) .....	9611-99-0022
10	1	Bottom piece .....	9611-40-2432
●		<b>Service kit actuator .....</b>	<b>9611-92-4001</b>
11Δ	1	Lip seal (NBR) std. ....	9611-40-310-0
	1	Lip seal (EPDM) .....	9611-40-310-1
	1	Lip seal (FPM) .....	9611-40-310-2
12	1	Hollow spindle .....	9611-40-2435
13Δ	1	O-ring (NBR) std. ....	9611-99-0040
	1	O-ring (EPDM) .....	9611-99-0554
	1	O-ring (FPM) .....	9611-99-0045
14	1	Valve spindle .....	9611-40-2489
15	1	L-Valve house .....	9611-40-2428
	1	T-Valve house .....	9611-40-2521
Δ		<b>Service kit NBR .....</b>	<b>9611-92-4002</b>
Δ		<b>Service kit EPDM .....</b>	<b>9611-92-4003</b>
Δ		<b>Service kit FPM .....</b>	<b>9611-92-4004</b>

Parts marked with ● and Δ are included in the **service kits**.

# Reed Type Double Signalling Unit for Valve Type LKAP

4



## Reed Type Double Signalling Unit for Valve Type LKAP

Pos.	Qty.	Denomination	9611-40-2551
1	2	Single reed switch .....	9611-40-2550
2	1	Magnet for reed switch .....	9611-40-2545
3	1	Adjusting screw .....	9611-40-2539
4	1	Guide plate .....	9611-40-2538
5	1	Segerring .....	9611-99-0736
6	2	Screw .....	9611-99-0330
7	1	Distance plate (period 82.04-) .....	9611-40-2485

*The information contained herein is correct at the time of issue but may be subject to change without prior notice.*