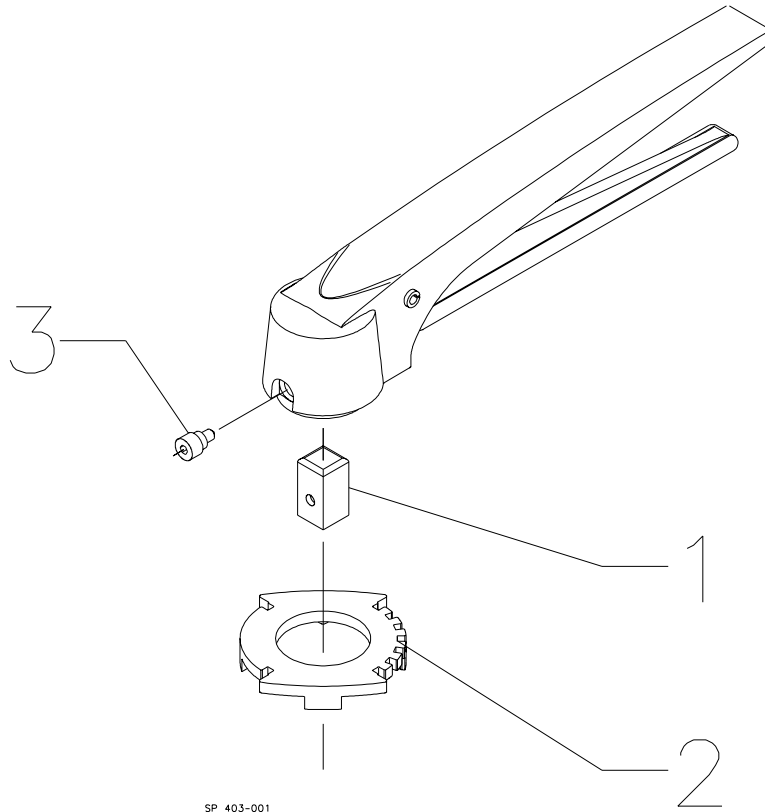


Lockable Multiposition Handle for LKB Valve



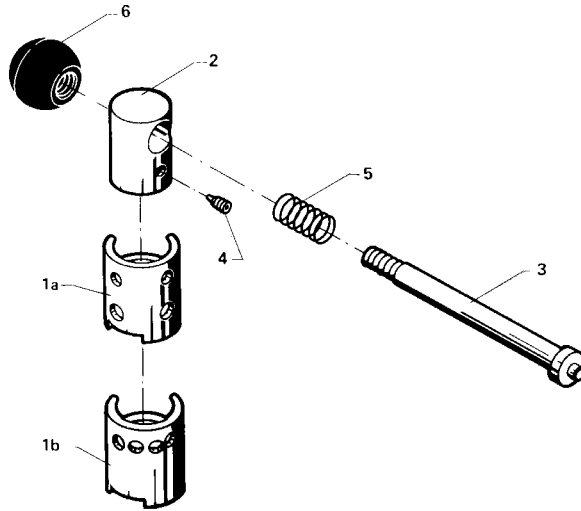
Reg. 2.14.6-0	9906
Intro.	9906

Lockable Multiposition Handle for LKB Valve

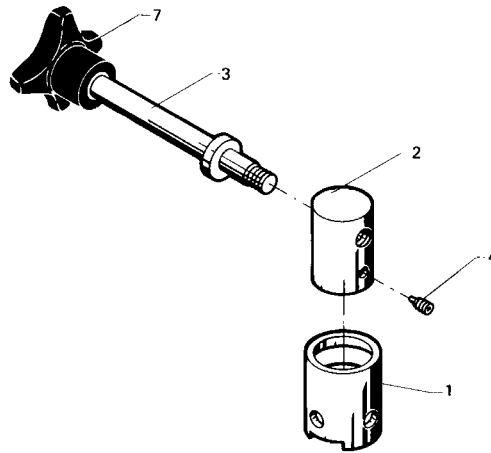
Pos.	Qty	Denomination	□ 8	□ 10	□ 12
	1	Handle complete	9612-5928-01	9612-5928-02	9612-5928-03
1	1	Insert	9612-5889-01	9612-5889-02	
2	1	Positioning cap (76-101.6 mm/NW65-100)		9612-5888-01	9612-5888-01
		Positioning cap (25-63.5 mm/NW25-50)	9612-5887-01		
3	1	Screw	9612-0453-02	9612-0453-01	9612-0453-01

Handle 1.1 for Butterfly Valve type LKB

Handle 1.1 for Butterfly valve LKB



Handle 1.1 with infinite positions for Butterfly valve LKB



Reg. 2.14.6	9805
Intro.	8802

Handle 1.1 for Butterfly Valve type LKB

Handle 1.1 for Butterfly valve LKB

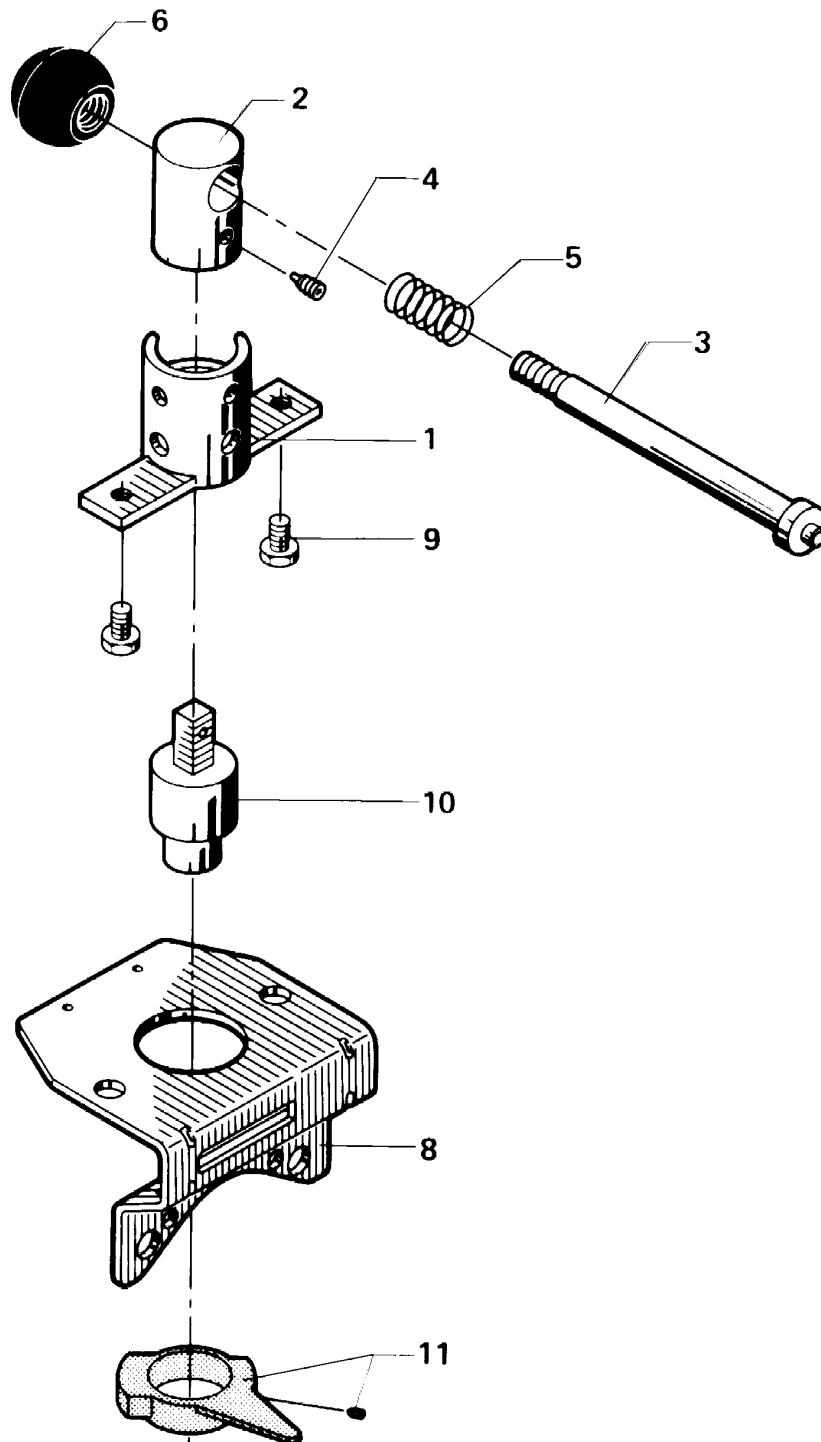
Pos.	Qty	Denomination Disc connection	9612-0450-01	9612-0451-01	9612-0459-01	9612-0782-01	9612-0791-01
			25 - 63.5 mm <input type="checkbox"/> 8 NW 25 - 50	76 mm <input type="checkbox"/> 10 NW 65 - 80	101.6 mm <input type="checkbox"/> 12 NW 100		
1a	1	Location cap with 2 pos.	9611-41-138-0	9611-41-143-0	9612-0464-01		
1b	1	Location cap with 4 pos.	9611-41-739-0	9611-41-740-0	9612-0465-01	9612-0777-01	9612-0792-01
2	1	Transfer block	9612-0454-01	9612-0455-01	9612-0462-01	9612-0778-01	9612-0793-01
3	1	Handle	9611-41-140-0	9611-41-140-1	9612-0461-01	9612-0779-01	9612-3685-01
4	1	Screw with pin	9612-0452-01	9612-0453-01	9612-0453-01	9612-0453-01	9612-0453-01
5	1	Spring	9611-99-1998	9611-99-1998	9611-99-1982	9612-0781-01	9612-3651-01
6	1	Ball	9611-99-1970	9611-99-1970	9611-99-1981	9611-99-2512	9611-99-2713

Handle 1.1 with infinite positions for Butterfly valve LKB

Pos.	Qty	Denomination Disc connection	9612-0474-01	9612-0474-02	9612-0474-03
			25 - 63.5 mm <input type="checkbox"/> 8 NW 25 - 50	76 mm <input type="checkbox"/> 10 NW 65 - 80	101.6 mm <input type="checkbox"/> 12 NW 100
1	1	Location cap	9612-0471-01	9612-0471-02	9612-0471-03
2	1	Transfer block	9612-0470-01	9612-0470-02	9612-0470-03
3	1	Handle	9612-0472-01	9612-0472-02	9612-0472-02
4	1	Screw with pin	9612-0452-01	9612-0453-01	9612-0453-01
7	1	Crosshead	9611-99-1995	9611-99-1996	9611-99-1996

NB: 1) Handle 1.1 with 10 connection can also be used for old version 101,6 mm NW 100 LKB valve.
1) Handle 1.1 with 8 connection can also be used for old version NW 65 LKB valve.

Handle 1.1 for indication unit



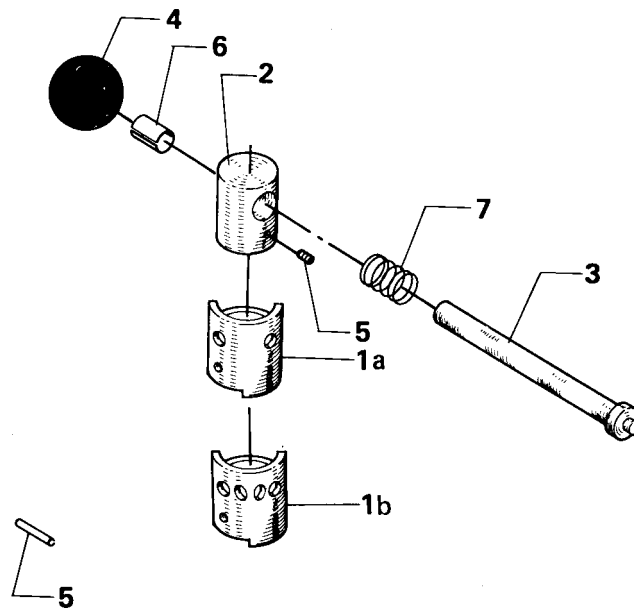
Reg. 2.14.7	9805
Intro.	9003

Handle 1.1 for indication unit

Pos.	Qty	Denomination Disc connection	9612-0475-01	9612-0475-02	9612-0475-03	9612-0475-04
			NW 25 25 - 63,5 mm <input type="checkbox"/> 8	NW 80 76 mm <input type="checkbox"/> 10	NW 100 101,6 mm <input type="checkbox"/> 12	NW 65 (LKB-DIN) <input type="checkbox"/> 10
1	1	Location cap with 2 pos.	9611-41-766-1	9611-41-767-1	9612-0469-01	9611-41-767-1
2	1	Transfer block	9612-0454-01	9612-0455-01	9612-0462-01	9612-0455-01
3	1	Handle	9611-41-140-0	9611-41-140-1	9612-0461-01	9611-41-140-1
4	1	Screw with pin	9612-0452-01	9612-0453-01	9612-0453-01	9612-0453-01
5	1	Spring	9611-99-1998	9611-99-1998	9611-99-1982	9611-99-1998
6	1	Ball	9611-99-1970	9611-99-1970	9611-99-1981	9611-99-1970
8	1	Bracket	9611-41-647-1	9611-41-648-1	9612-0815-01	9612-0815-01
9	2	Screw	9611-99-1686	9611-99-1686	9611-99-1686	9611-99-1686
10	1	Coupling	9611-41-771-1	9611-41-770-1	9612-0468-01	9611-41-770-1
11	1	Activating ring with screw	9611-41-669-0	9611-41-669-0	9611-41-669-0	9611-41-669-0

Handle 1 for Butterfly Valve Type LKB

Not manufactured anymore



Reg. 2.14.8	9805
Intro.	8301

Handle 1 for Butterfly Valve Type LKB

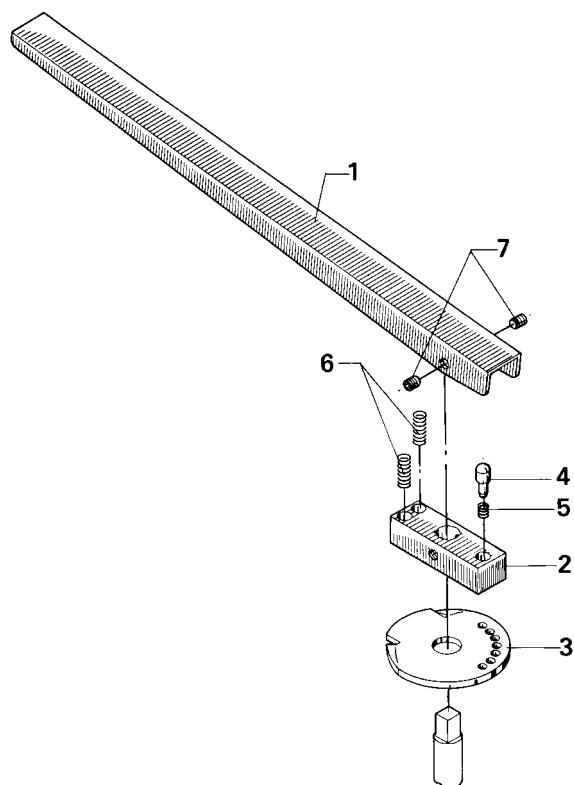
Pos.	Qty	Denomination	2 pos.	9611-41-136-0	9611-41-137-0
			4 pos.	9611-41-136-1	9611-41-137-2
				38-51-63,5 mm	76-101,6 mm
				NW 40-50-65	NW 80-110
1a	1	Location cap with 2 pos.		9611-41-138-0	9611-41-143-0
1b	1	Location cap with 4 pos.		9611-41-739-0	9611-41-740-0
2	1	Transfer block for M5 (Period 8011 - 8112)		9611-41-139-0	9611-41-144-0
	1	Transfer block for M8 (Period 8201 - 8801)		9611-41-139-1	9611-41-144-1
3	1	Handle bar		9611-41-140-0	9611-41-140-1
4	1	Ball		9611-99-1023	9611-99-1023
5	1	Pointed screw, M5 x 6 (Period 8011 - 8112)		9611-99-0296	9611-99-0296
	1	Pointed screw, M8 x 8 (Period 8201 - 8801)		9611-99-1699	9611-99-1699
	1	Connex-pin (Period 7501 - 8008)		9611-99-0623	9611-99-0633
6	1	Limit ring		9611-99-0775	9611-99-0775
7	2	Spring		9611-99-0442	9611-99-0442

Not manufactured anymore

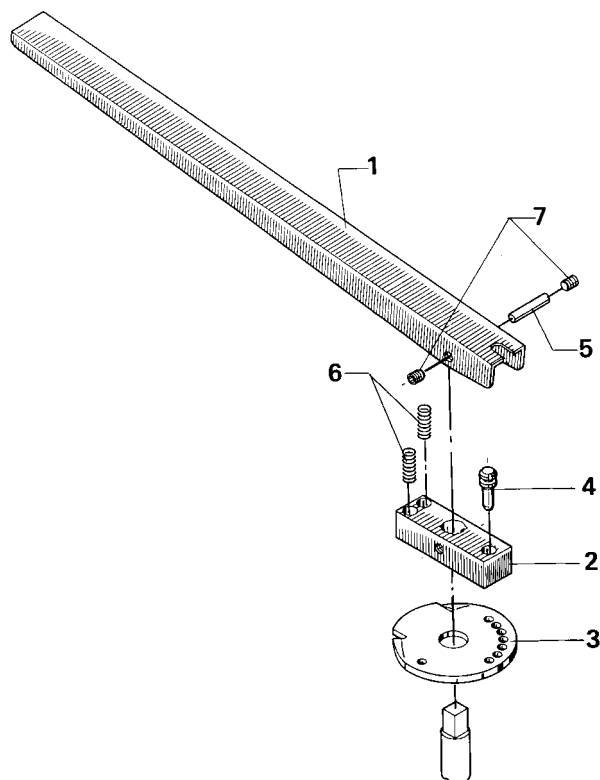
Handle for Butterfly Valve Type LKB NW 150

Not manufactured anymore

Mark I



Mark II



Reg. 2.14.9	9805
Intro.	8110

Handle for Butterfly Valve Type LKB NW 150

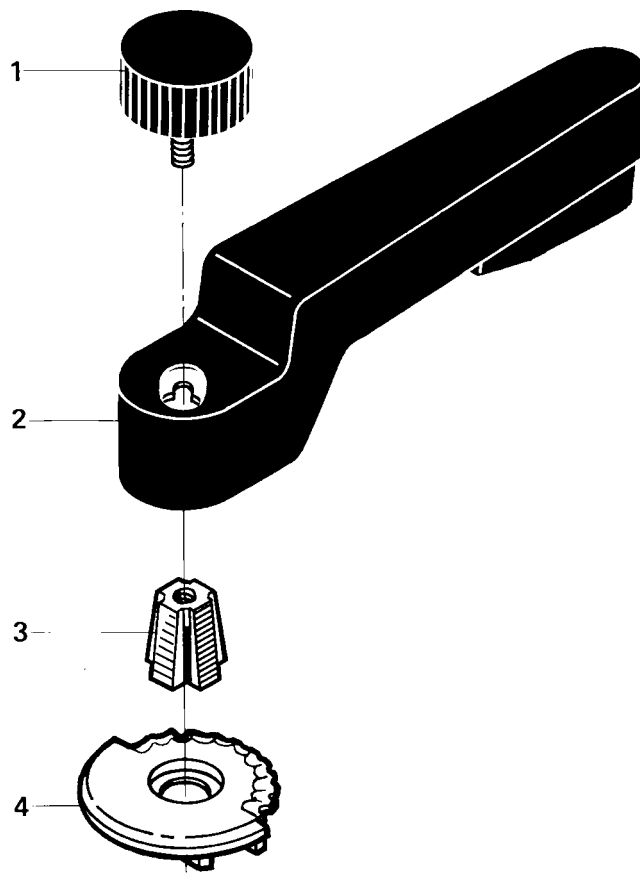
Pos.	Qty	Denomination	Mark I 9611-41-658-0 (Period 8110-8309)	Mark II 9611-41-658-0 (Period 8309-)
1	1	Handle bar	9611-41-659-0	9611-41-659-0
2	2	Transfer block	9611-41-661-0	9611-41-661-0
3	1	Position plate	9611-41-663-0	9611-41-663-0
4	1	Detent pin	9611-41-662-0	9611-41-662-0
5	1	Spring	9611-99-1688	
5	1	Notch pin		9611-99-1387
6	2	Spring	9611-99-1691	9611-99-1691
7	2	Threadet pin	9611-99-1687	9611-41-692-1

Not manufactured anymore

Recommended spare parts: Pos. 5 (8110 - 8309), 6, 7.

**Handle 2
for Butterfly Valve type LKB**

Not manufactured anymore



Reg. 2.14.10	9805
Intro.	8610

**Handle 2
for Butterfly Valve type LKB**

Pos.	Qty	Denomination	9612-400-01 ø8 mm	9612-400-02 ø10 mm
1	1	Locking screw	9612-0408-01	9612-0408-01
2	1	Handle	9612-0400-03	9612-0400-03
3	1	Quadrangle spacer bushing	9612-0410-01	9612-0411-01
4	1	Bracket for positioning	9612-0412-01	9612-0413-01

Not manufactured anymore

Recommended spare parts: Pos. 3