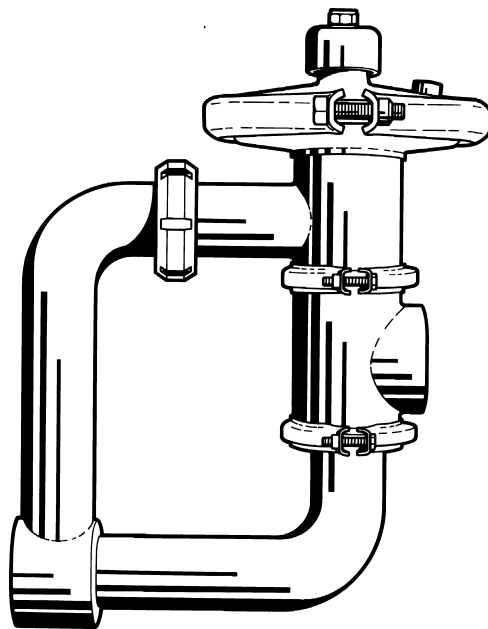


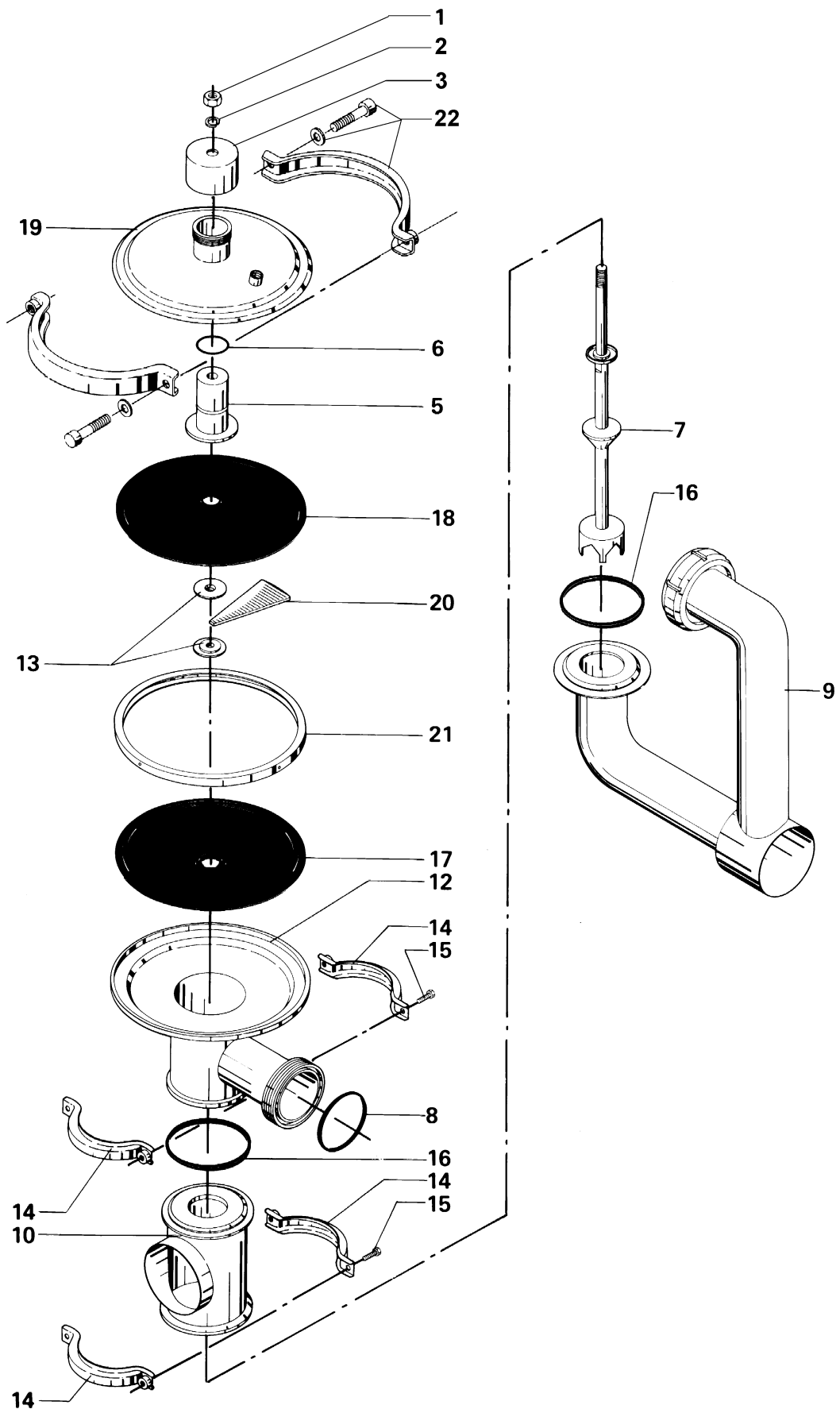
**Spare Parts**

**CPM-I-D60 Constant-Pressure Modulating Inlet Valve**



# Constant Pressure Valve Type CPM-I-D60

2



# Constant Pressure Valve Type CPM-I-D60

Prod. Nos. 8209 and higher

Pos.	Qty.	Denomination	
1	1	Nut .....	221891-15
2	1	Washer .....	9611-99-1887
3	1	Top .....	31356-0003-1
5	1	Guide .....	31356-0072-1
6 <sup>Δ</sup>	1	O-ring .....	223406-49
7	1	Plug .....	31356-0006-1
8 <sup>Δ</sup>	1	Seal ring, EPDM (std.) .....	31317-0378-5
	1	Seal ring, NBR .....	190604
	1	Seal ring, FPM .....	31317-0378-2
9	1	Inlet tube .....	31356-0073-1
10	1	Valve body, lower .....	31356-0018-1
12	1	Valve body .....	31356-0075-2
13	2	Inner ring .....	31356-0063-1
14+15	2	Clamps and screws (Period 9209-) .....	31320-0027-3
14	4	Clamp half (Period -9209) .....	31320-0022-1
15	4	Screw (Period -9209) .....	2210936-18
16 <sup>Δ</sup>	2	Valve body seal ring, EPDM (std.) .....	31353-0128-1
	2	Valve body seal ring, NBR .....	31353-0128-2
17 <sup>Δ</sup>	1	Diaphragm, PTFE covered EPDM (std.) .....	31356-0014-4 (product side)
18 <sup>Δ</sup>	1	Diaphragm, NBR (air side), Blue dot .....	31356-0014-2
	1	Diaphragm, PTFE covered EPDM .....	31356-0014-4
19	1	Cover .....	31356-0067-1
20	12	Support sector .....	31356-0062-1
21	1	Outer ring .....	31356-0064-1
22	1	Clamp set (Period 9310- ) .....	9611-92-0219
	2	Clamp half (Period 8209-9310) .....	31356-0061-1
	2	Screw (Period 8209-9310) .....	221041-06
<sup>Δ</sup>		<b>Service kit .....</b>	<b>9611-92-0119</b>

Parts marked with <sup>Δ</sup> are included in **Service kit**.

Recommended spare parts: **Service kit**.

*The information contained herein is correct at the time of issue but may be subject to change without prior notice.*