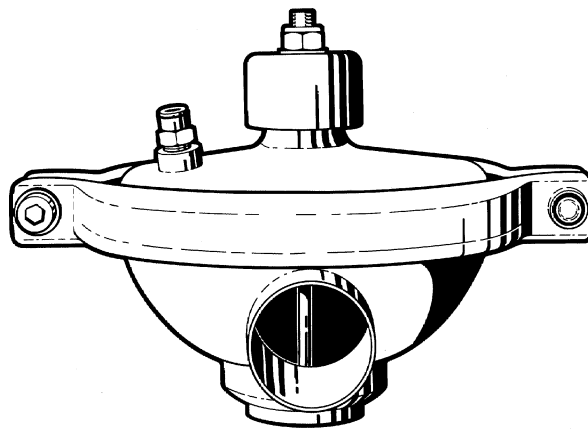


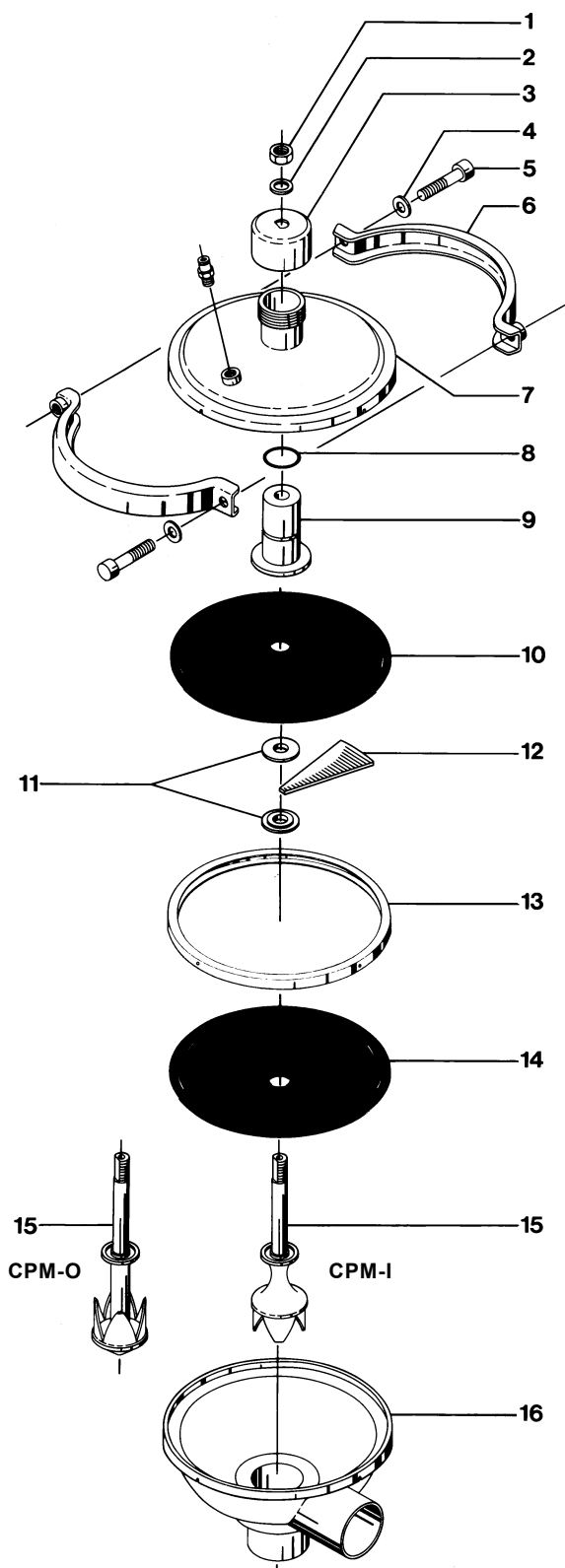
Spare Parts

CPM-2 Constant-Pressure Modulating Valve



Constant-Pressure Modulating Valve Type CPMI-2 & CPMO-2

2



Constant-Pressure Modulating Valve Type CPMI-2 & CPMO-2

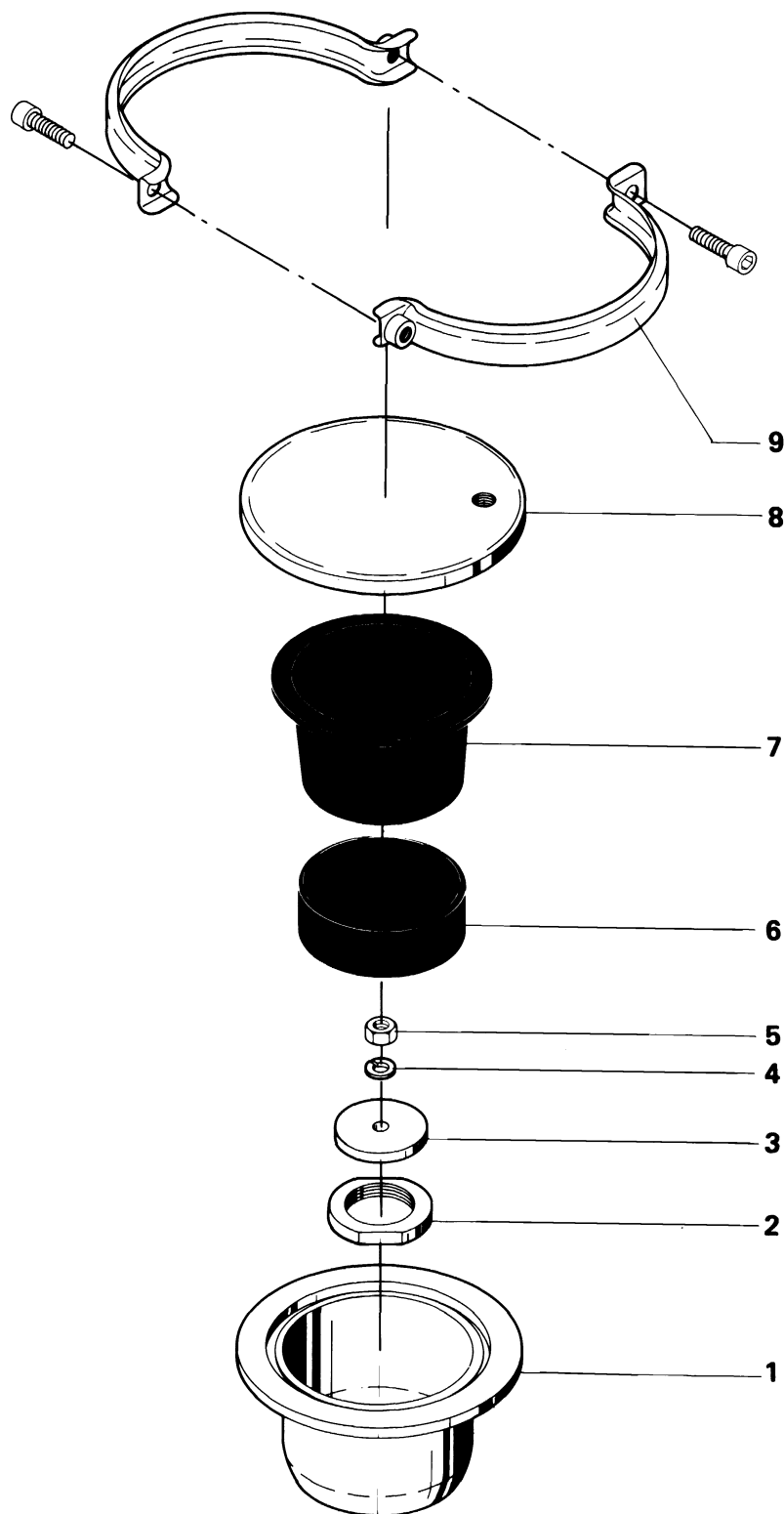
| Pos | Qty. | Denomination | CPMI-2-Kv23 | CPMO-2-Kv23 | CPMI-2-Kv2/15 | CPMO-2-Kv2/15 |
|-----|------|--|---------------------|---------------------|---------------------|---------------------|
| 1 | 1 | Nut | 221891-15 | 221891-15 | 221891-15 | 221891-15 |
| 2 | 1 | Washer | 9611-99-2559 | 9611-99-2559 | 9611-99-2559 | 9611-99-2559 |
| 3 | 1 | Top | 31356-0003-4 | 31356-0003-4 | 31356-0003-4 | 31356-0003-4 |
| 4 | 2 | Washer | 9611-99-0786 | 9611-99-0786 | 9611-99-0786 | 9611-99-0786 |
| 5 | 2 | Screw | 9611-99-1222 | 9611-99-1222 | 9611-99-1222 | 9611-99-1222 |
| 6 | 2 | Clamp | 9612-3352-01 | 9612-3352-01 | 9612-3352-01 | 9612-3352-01 |
| 7 | 1 | Cover | 31356-0067-1 | 31356-0067-1 | 31356-0067-1 | 31356-0067-1 |
| 8Δ | 1 | O-ring, NBR (Standard) | 223406-49 | 223406-49 | 223406-49 | 223406-49 |
| | 1 | O-ring, FPM | 9611-99-2253 | 9611-99-2253 | 9611-99-2253 | 9611-99-2253 |
| 9 | 1 | Guide | 31356-0072-2 | 31356-0072-2 | 31356-0072-2 | 31356-0072-2 |
| 10Δ | 1 | Upper diaphragm, NBR (Standard) | 31356-0014-2 | 31356-0014-2 | 31356-0014-2 | 31356-0014-2 |
| | 1 | Upper diaphragm, EPDM/PTFE | 31356-0014-4 | 31356-0014-4 | 31356-0014-4 | 31356-0014-4 |
| | 1 | Upper diaphragm, PTFE | 9612-3057-02 | 9612-3057-02 | 9612-3057-02 | 9612-3057-02 |
| 11 | 2 | Inner ring | 31356-0063-1 | 31356-0063-1 | 31356-0063-1 | 31356-0063-1 |
| 12 | 12 | Support sector | 31356-0062-1 | 31356-0062-1 | 31356-0062-1 | 31356-0062-1 |
| 13 | 1 | Outer ring | 9612-3058-01 | 9612-3058-01 | 9612-3058-01 | 9612-3058-01 |
| 14Δ | 1 | Lower diaphragm, EPDM/PTFE (Standard) .. | 9612-3066-01 | 9612-3066-01 | 9612-3066-01 | 9612-3066-01 |
| | 1 | Lower diaphragm, PTFE | 9612-3057-01 | 9612-3057-01 | 9612-3057-01 | 9612-3057-01 |
| 15 | 1 | Valve plug | 9612-3059-01 | 9612-3060-01 | 9612-3061-01 | 9612-3062-01 |
| 16 | 1 | Valve body, ISO | 9612-3340-01 | 9612-3341-01 | 9612-3342-01 | 9612-3342-01 |
| | 1 | Valve body, DIN | 9612-3343-01 | 9612-3344-01 | 9612-3345-01 | 9612-3345-01 |
| Δ | | Service kit. | 9611-92-0218 | 9611-92-0218 | 9611-92-0218 | 9611-92-0218 |

Parts marked with Δ are included in **Service kit**.

Recommended spare parts: **Service kit**.

CPM-Booster 3 for Cover with Thread
31356-0067-1/2

4



CPM-Booster 3 for Cover with Thread 31356-0067-1/2

| Pos. | Qty. | Denomination | 31356-0090-1 |
|------|------|-------------------------|---------------|
| 1 | 1 | Booster housing | 31356-0089-1 |
| 2 | 1 | Lock nut | 31356-0095-1 |
| 3 | 1 | Washer | 31356-0084-1 |
| 4 | 1 | Spring washer | 9611-99-1887 |
| 5 | 1 | Nut | 221803-29 |
| 6 | 1 | Booster piston | 31356-0085-1 |
| 7 | 1 | Diaphragm | 31356-0094-1 |
| 8 | 1 | Booster cover | 31356-0086-1 |
| 9 | 1 | Clamps and screws | 9611-31-105-7 |

The information contained herein is correct at the time of issue but may be subject to change without prior notice.