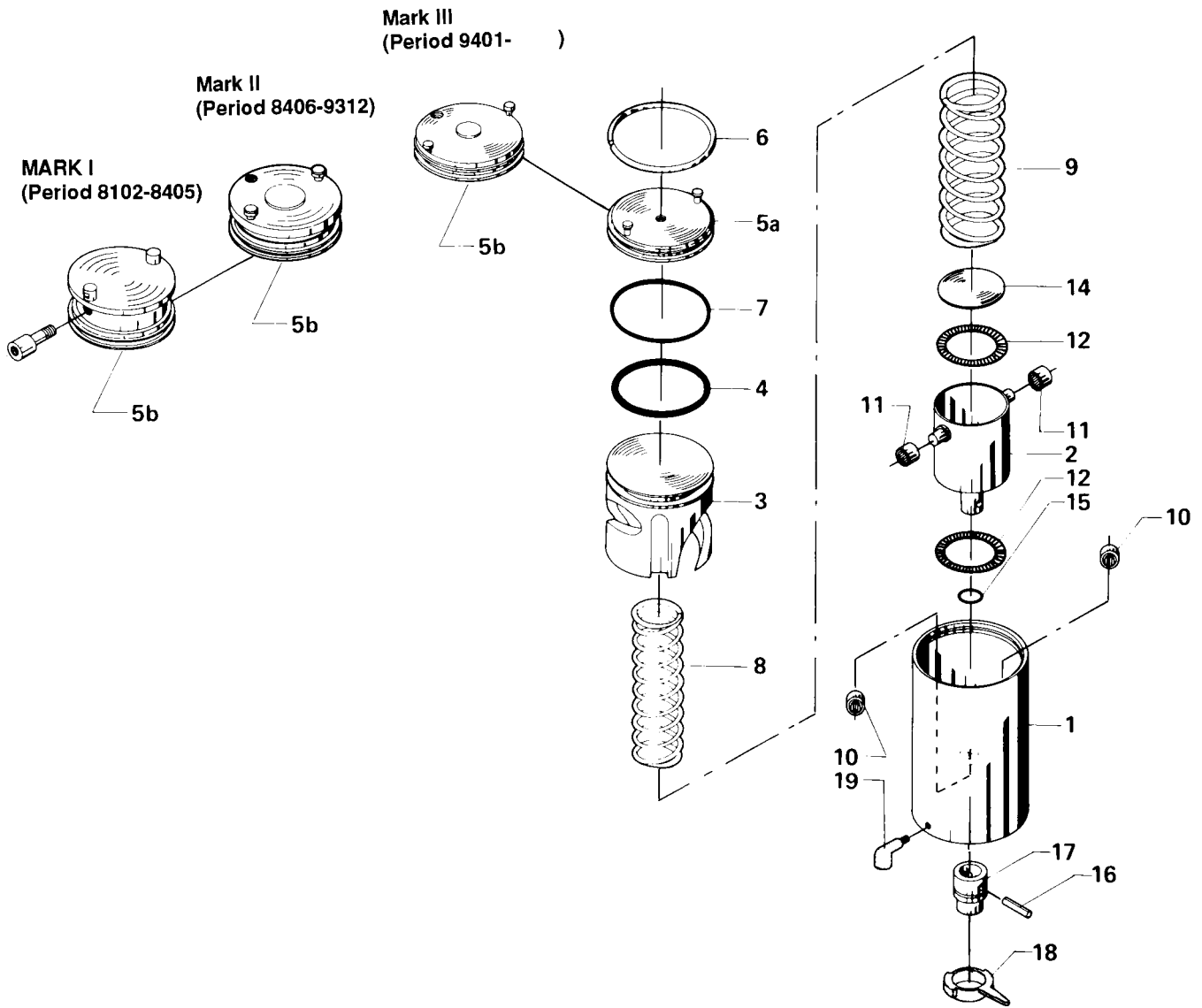


Actuator Air/Spring Type LKLA (NC-NO) ø85



Reg. 2.14.11	9805
Intro.	8301

Actuator Air/Spring Type LKLA (NC-NO) ø85

Pos.	Qty.	Denomination Disc connection	NC	NC	NC	NO	NO	NO
			9611-41-630-1 25-63.5 mm NW 25-50 <input type="checkbox"/> 8	9611-41-630-2 76 mm NW 65-80 <input type="checkbox"/> 10	9611-41-630-6 101.6 mm NW 100 <input type="checkbox"/> 12	9611-41-630-4 25-63.5 mm NW 25-50 <input type="checkbox"/> 8	9611-41-630-5 76 mm NW 65-80 <input type="checkbox"/> 10	9611-41-630-7 101.6 mm NW 100 <input type="checkbox"/> 12
1	1	Air cylinder	9611-41-758-0	9611-41-758-0	9611-41-758-0	9611-41-758-0	9611-41-758-0	9611-41-758-0
2	1	Rotating cylinder	9611-41-638-0	9611-41-638-0	9611-41-638-0	9611-41-638-0	9611-41-638-0	9611-41-638-0
3	1	Piston	9611-41-631-0	9611-41-631-0	9611-41-631-0	9611-41-741-0	9611-41-741-0	9611-41-741-0
4 Δ	1	O-ring, NBR	9611-99-0052	9611-99-0052	9611-99-0052	9611-99-0052	9611-99-0052	9611-99-0052
5a	1	End cap**	31357-0740-1	31357-0740-1	31357-0740-1	31357-0740-1	31357-0740-1	31357-0740-1
	1	(Period 8911-) End cap	9611-41-633-0	9611-41-633-0	9611-41-633-0	9611-41-633-0	9611-41-633-0	9611-41-633-0
		(Period 8301-8911)						
6	1	Retaining ring	9611-40-2021	9611-40-2021	9611-40-2021	9611-40-2021	9611-40-2021	9611-40-2021
7 Δ	1	O-ring, NBR	9611-99-0396	9611-99-0396	9611-99-0396	9611-99-0396	9611-99-0396	9611-99-0396
8	1	Inner spring	9611-99-1629	9611-99-1629	9611-99-1629	9611-99-1629	9611-99-1629	9611-99-1629
9	1	Outer spring	9611-99-1631	9611-99-1631	9611-99-1631	9611-99-1631	9611-99-1631	9611-99-1631
10Δ	2	Needle bearing	9611-99-1230	9611-99-1230	9611-99-1230	9611-99-1230	9611-99-1230	9611-99-1230
11Δ	2	Needle bearing	9611-99-1231	9611-99-1231	9611-99-1231	9611-99-1231	9611-99-1231	9611-99-1231
12Δ	2	Thrust bearing	9611-99-1236	9611-99-1236	9611-99-1236	9611-99-1236	9611-99-1236	9611-99-1236
14	1	Thrust plate	9611-41-646-0	9611-41-646-0	9611-41-646-0	9611-41-646-0	9611-41-646-0	9611-41-646-0
15Δ	1	O-ring, NBR	9611-99-1233	9611-99-1233	9611-99-1233	9611-99-1233	9611-99-1233	9611-99-1233
16	1	Connex pin	9611-99-1235	9611-99-1235	9611-99-1235	9611-99-1235	9611-99-1235	9611-99-1235
17	1	Coupling	9611-41-644-0	9611-41-645-0	9612-0447-03	9611-41-644-0	9611-41-645-0	9612-0447-03
18	1	Activating ring, Noryl with screw	9611-41-669-0	9611-41-669-0	9611-41-669-0	9611-41-669-0	9611-41-669-0	9611-41-669-0
19	1	Water rejector	9611-41-775-0	9611-41-775-0	9611-41-775-0	9611-41-775-0	9611-41-775-0	9611-41-775-0
		(Period 8310-)						
Δ		Service kit	9611-92-3010	9611-92-3010	9611-92-3010	9611-92-3010	9611-92-3010	9611-92-3010

Parts marked with Δ are included in the **service kit**.

** End cap for MAG TOP and LKT-S/N (standard now)

NC/NO for Altop

Pos.	Qty.	Denomination Disc connection	NC	NC	NC	NO	NO	NO
			9611-41-678-1 25-63.5 mm NW 25-50 <input type="checkbox"/> 8	9611-41-678-2 76 mm NW 65-80 <input type="checkbox"/> 10	9611-41-678-6 101.6 mm NW 100 <input type="checkbox"/> 12	9611-41-678-4 25-63.5 mm NW 25-50 <input type="checkbox"/> 8	9611-41-678-5 76 mm NW 65-80 <input type="checkbox"/> 10	9611-41-678-7 101.6 mm NW 100 <input type="checkbox"/> 12
5b	1	1 End cap, Mark III	9611-41-674-0	9611-41-674-0	9611-41-674-0	9611-41-674-0	9611-41-674-0	9611-41-674-0
		(Period 9401-)						
	1	2 End cap, Mark II	9611-41-674-0	9611-41-674-0	9611-41-674-0	9611-41-674-0	9611-41-674-0	9611-41-674-0
		(Period 8406-9312)						
	1	3 End cap, Mark I	9611-41-674-0	9611-41-674-0	9611-41-674-0	9611-41-674-0	9611-41-674-0	9611-41-674-0
		(Period 8102-8405)						

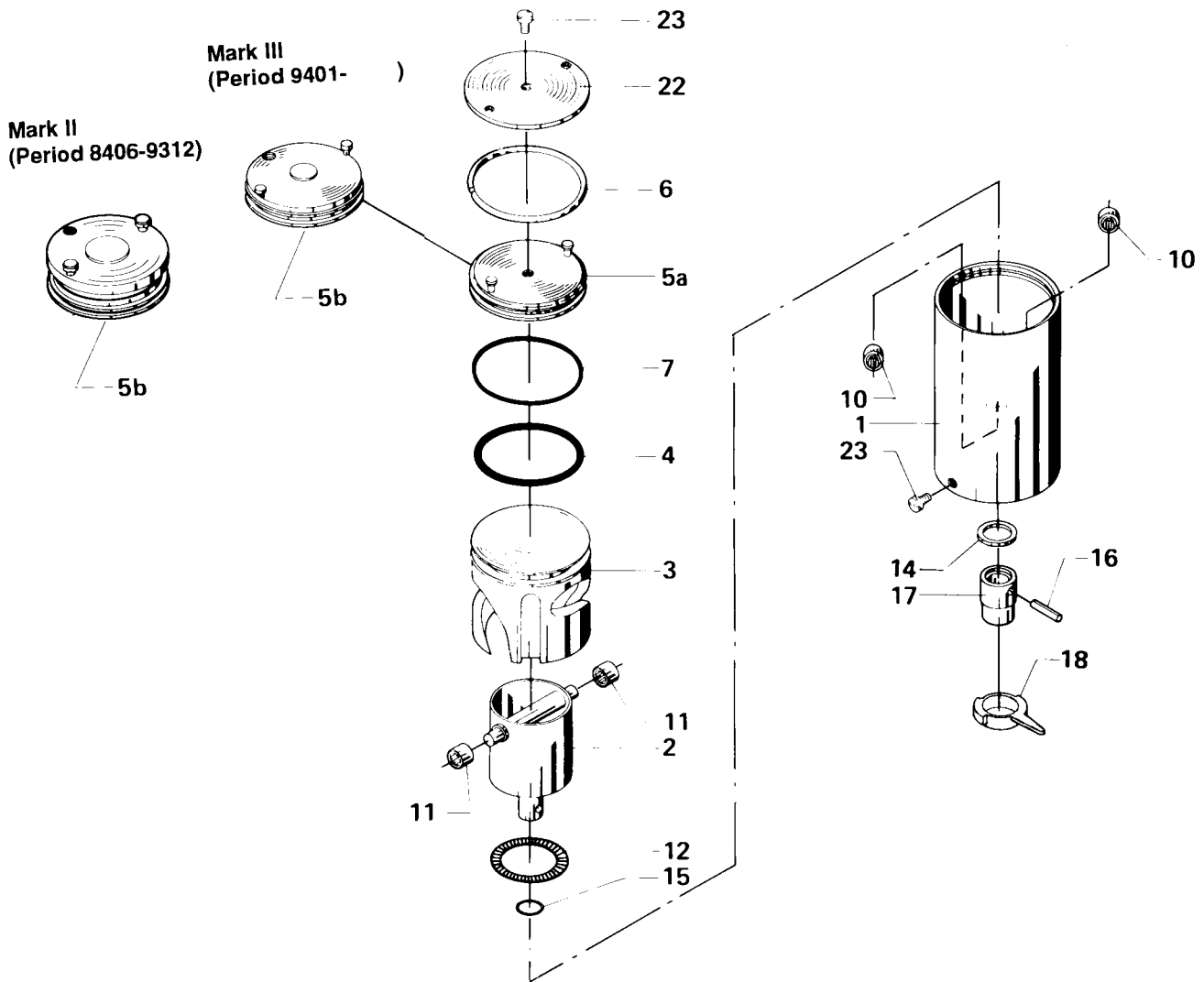
All other parts as above.

Note:

Butterfly valve 101.6 mm / NW100 sold before 8906 = 10 mm
 Butterfly valve NW 65 (ISO) sold before 8910 = 8 mm
 Please check the square size of the disc when ordering spares.

Recommended spare parts: **Service kit**.

Actuator Air/Air Type LKLA ø85



Reg. 2.14.12	9805
Intro.	8301

Actuator Air/Air Type LKLA ø85

Pos.	Qty.	Denomination Disc connection	9611-41-749-1	9611-41-749-2	9611-41-749-3
			25-63.5 mm NW 25-50 <input type="checkbox"/> 8	76 mm NW 65-80 <input type="checkbox"/> 10	101.6 mm NW 100 <input type="checkbox"/> 12
1	1	Air Cylinder	9611-41-758-0	9611-41-758-0	9611-41-758-0
2	1	Rotating cylinder	9611-41-744-1	9611-41-744-1	9611-41-744-1
3	1	Piston	9611-41-752-0	9611-41-752-0	9611-41-752-0
4 Δ	1	O-ring, NBR	9611-99-0052	9611-99-0052	9611-99-0052
5a	1	End cap**	31357-0740-1	31357-0740-1	31357-0740-1
	1	(Period 8911-) End cap	9611-41-633-0	9611-41-633-0	9611-41-633-0
		(Period 8301-8910)			
6	1	Retaining ring	9611-40-2021	9611-40-2021	9611-40-2021
7 Δ	1	O-ring, NBR	9611-99-0396	9611-99-0396	9611-99-0396
10Δ	2	Needle bearing	9611-99-1230	9611-99-1230	9611-99-1230
11Δ	2	Needle bearing	9611-99-1231	9611-99-1231	9611-99-1231
12Δ	1	Thrust bearing	9611-99-1236	9611-99-1236	9611-99-1236
14	1	Thrust plate	9611-41-757-0	9611-41-757-0	9611-41-757-0
15Δ	1	O-ring, NBR	9611-99-1233	9611-99-1233	9611-99-1233
16	1	Connex pin	9611-99-1235	9611-99-1235	9611-99-1235
17	1	Coupling	9611-41-755-1	9611-41-756-1	9612-0448-02
18	1	Activating ring	9611-41-669-0	9611-41-669-0	9611-41-669-0
		with screw			
22***	1	Retaining plate	9611-41-437-0	9611-41-437-0	9611-41-437-0
23	2	Threaded plug	9611-99-1221	9611-99-1221	9611-99-1221
Δ		Service kit	9611-92-3011	9611-92-3011	9611-92-3011

Parts marked with Δ are included in the **service kit**.

** End cap for MAG TOP and LKT-S/N (standard now)

*** Up to 8910 supplied without holes, not available anymore

Air/Air for Altop

Pos.	Qty.	Denomination Disc connection	9612-0812-02	9612-0812-03	9612-0812-04
			25-63.5 mm NW 25-50 <input type="checkbox"/> 8	76 mm NW 65-80 <input type="checkbox"/> 10	101.6 mm NW 100 <input type="checkbox"/> 12
5b	1	End cap, Mark III	9611-41-674-0	9611-41-674-0	9611-41-674-0
	1	(Period 9401-) End cap, Mark II	9611-41-858-1	9611-41-858-1	9611-41-858-1
		with fixation screw (Period -9312)			

All other parts as above.

Note:

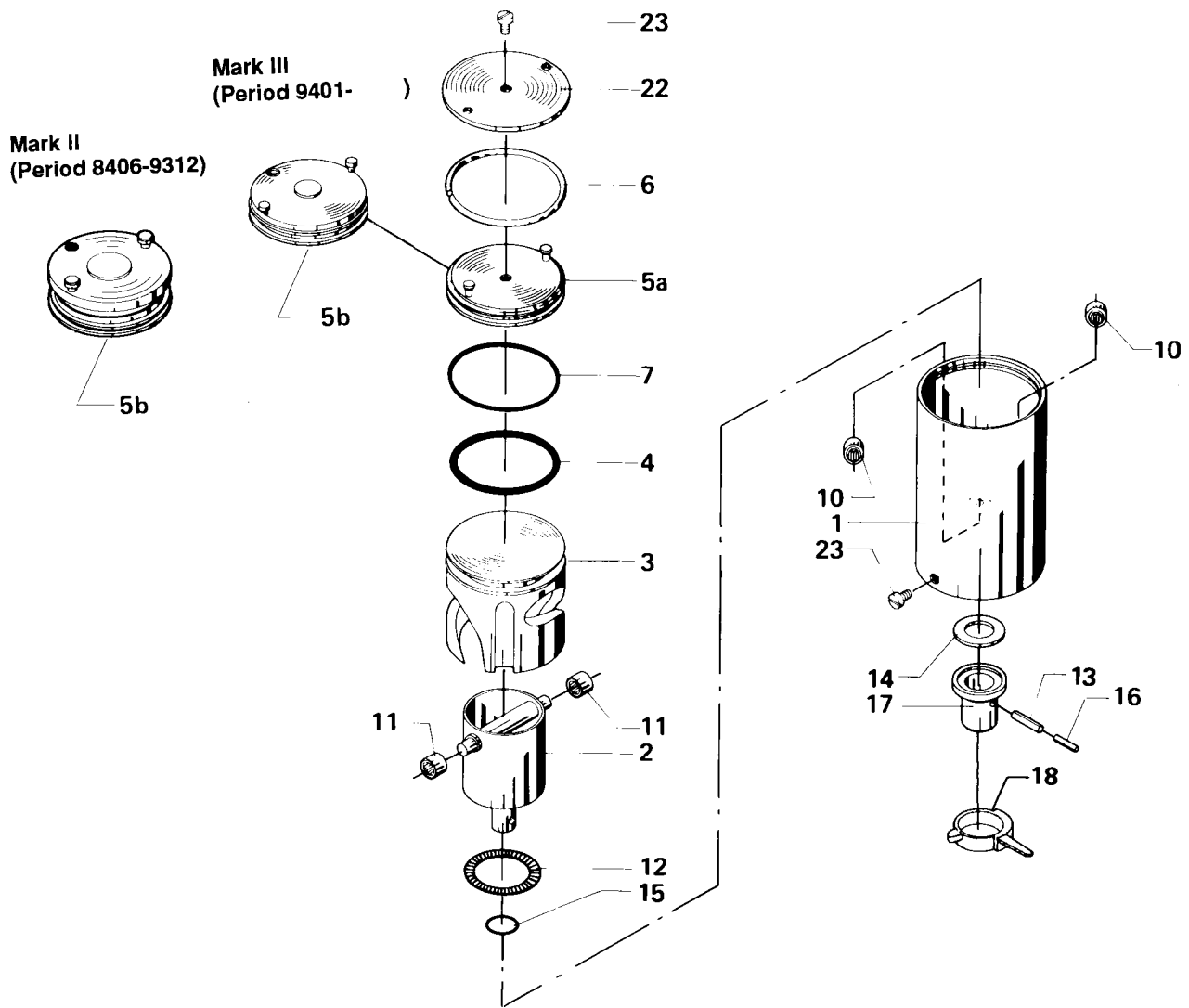
Butterfly valve 101.6 mm / NW100 sold before 8906 = 10 mm

Butterfly valve NW 65 (ISO) sold before 8910 = 8 mm

Please check the square size of the disc when ordering spares.

Recommended spare parts: **Service kit**.

Actuator Air/Air
Type LKLA NW125-150 ø85



Reg. 2.14.13	9805
Intro.	8301

Actuator Air/Air Type LKLA NW125-150 ø85

Pos.	Qty.	Disc connection Denomination	9611-41-750-2	9611-41-750-0
			<input type="checkbox"/> 14 NW 125	<input type="checkbox"/> 15 NW 150
1	1	Air Cylinder	9611-41-742-0	9611-41-742-0
2	1	Rotating cylinder	9611-41-744-0	9611-41-744-0
3	1	Piston	9611-41-752-0	9611-41-752-0
4 Δ	1	O-ring, NBR	9611-99-0052	9611-99-0052
5a	1	End cap**	31357-0740-1	31357-0740-1
		(Period 8911-)		
	1	End cap	9611-41-633-0	9611-41-633-0
		(Period 8301-8910)		
6	1	Retaining ring	9611-40-202-1	9611-40-202-1
7 Δ	1	O-ring, NBR	9611-99-0396	9611-99-0396
10Δ	2	Needle bearing	9611-99-1230	9611-99-1230
11Δ	2	Needle bearing	9611-99-1231	9611-99-1231
12Δ	1	Thrust bearing	9611-99-1236	9611-99-1236
13	1	Connex pin	9611-99-1314	9611-99-1314
14	1	Thrust plate	9611-41-754-0	9611-41-754-0
15Δ	1	O-ring, NBR	9611-99-0030	9611-99-0030
16	1	Connex pin	9611-99-1313	9611-99-1313
17	1	Coupling	9612-2856-02	9611-41-747-1
18	1	Activating ring	9611-41-665-0	9611-41-665-0
		with screw		
22***	1	Retaining plate	9611-41-437-0	9611-41-437-0
23	2	Threaded plug	9611-99-1221	9611-99-1221
Δ		Service kit	9611-92-3012	9611-92-3012

Parts marked with Δ are included in the **service kit**.

**** End cap for MAG TOP and LKT-S/N (standard now)**

***** Up to 8910 supplied without holes, not available anymore**

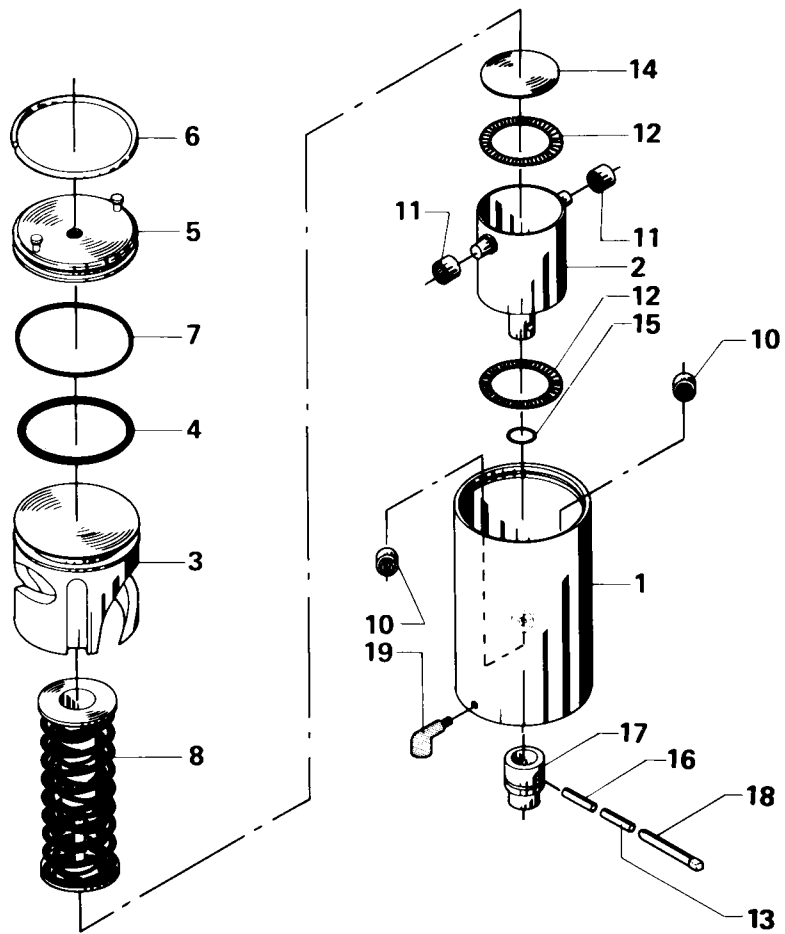
Air/Air for Altop

Pos.	Qty.	Disc connection Denomination	<input type="checkbox"/> 14	<input type="checkbox"/> 15
			9612-0813-02	9612-0813-01
5b	1	End cap, Mark III	9612-41-674-0	9612-41-674-0
		(Period 9401-)		
	1	End cap, MarkII	9611-41-858-1	9611-41-858-1
		with fixation screw		
		(Period -9312)		

All other parts as above.

Recommended spare parts: **Service kit**.

**Actuator Air/Spring
Type LKLA (NC-NO) \varnothing 133**



Reg. 2.14.14	9805
Intro.	9109

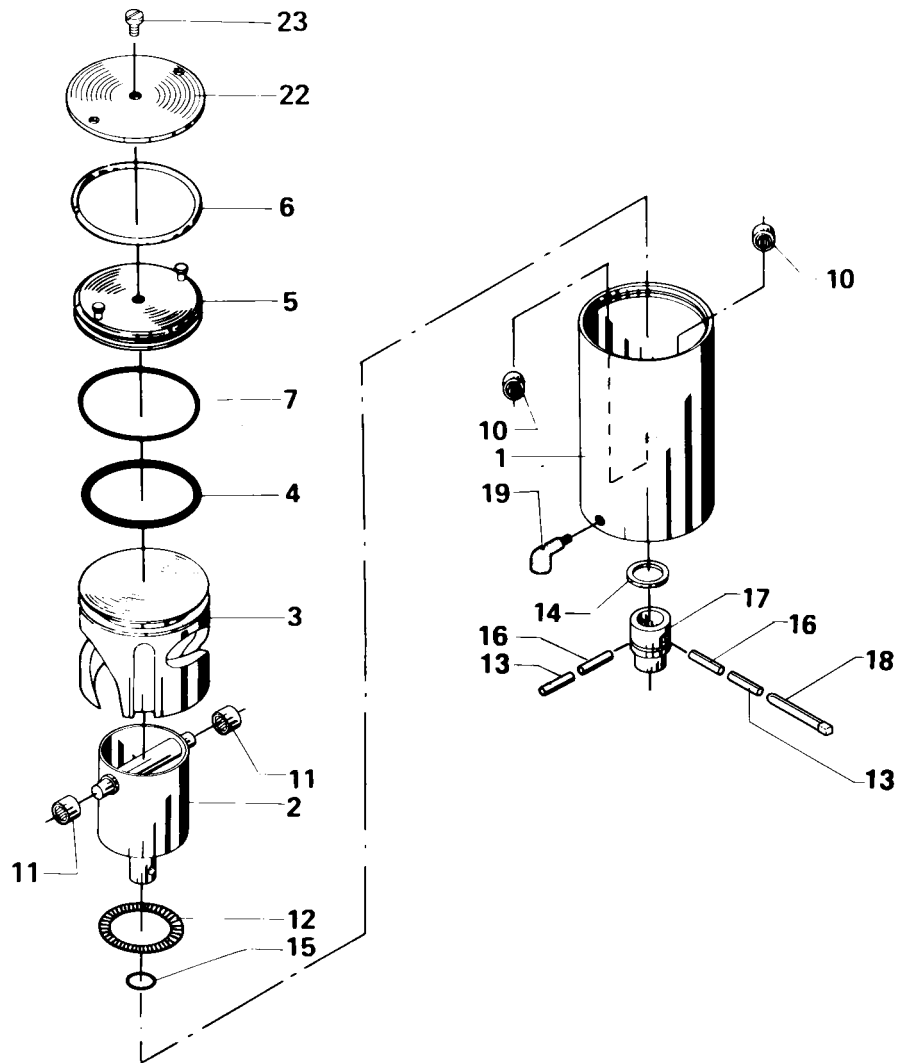
Actuator Air/Spring Type LKLA (NC-NO) ø133

Pos.	Qty.	Denomination Disc connection	NC	NO	NC	NO	NC	NO
			9612-2713-06 101.6 mm NW 100 <input type="checkbox"/> 12	9612-2713-07 101.6 mm NW 100 <input type="checkbox"/> 12	9612-2713-11 NW 125 <input type="checkbox"/> 14	9612-2713-12 NW 125 <input type="checkbox"/> 14	9612-2713-16 NW 150 <input type="checkbox"/> 15	9612-2713-17 NW 150 <input type="checkbox"/> 15
1	1	Air cylinder	9612-2685-01	9612-2685-01	9612-2685-01	9612-2685-01	9612-2685-01	9612-2685-01
2	1	Rotating cylinder	9612-2678-01	9612-2678-01	9612-2678-01	9612-2678-01	9612-2678-01	9612-2678-01
3	1	Piston	9612-2700-01	9612-2680-01	9612-2700-01	9612-2680-01	9612-2700-01	9612-2680-01
4	Δ 1	O-ring, NBR	9611-99-2367	9611-99-2367	9611-99-2367	9611-99-2367	9611-99-2367	9611-99-2367
5	1	End cap	9612-2714-01	9612-2714-01	9612-2714-01	9612-2714-01	9612-2714-01	9612-2714-01
6	1	Retaining ring	9612-2682-01	9612-2682-01	9612-2682-01	9612-2682-01	9612-2682-01	9612-2682-01
7	Δ 1	O-ring, NBR	9611-99-0035	9611-99-0035	9611-99-0035	9611-99-0035	9611-99-0035	9611-99-0035
8	1	Spring assembly	9612-2701-01	9612-2701-01	9612-2701-01	9612-2701-01	9612-2701-01	9612-2701-01
10	Δ 2	Needle bearing	9611-99-1231	9611-99-1231	9611-99-1231	9611-99-1231	9611-99-1231	9611-99-1231
11	Δ 2	Needle bearing	9611-99-2355	9611-99-2355	9611-99-2355	9611-99-2355	9611-99-2355	9611-99-2355
12	Δ 2	Thrust bearing	9611-99-2347	9611-99-2347	9611-99-2347	9611-99-2347	9611-99-2347	9611-99-2347
13	1	Connex pin	9611-99-2357	9611-99-2357	9611-99-2357	9611-99-2357	9611-99-2357	9611-99-2357
14	1	Thrust plate	9612-2671-01	9612-2671-01	9612-2671-01	9612-2671-01	9612-2671-01	9612-2671-01
15	Δ 1	O-ring, NBR	9611-99-0079	9611-99-0079	9611-99-0079	9611-99-0079	9611-99-0079	9611-99-0079
16	1	Connex pin	9611-99-2358	9611-99-2358	9611-99-2358	9611-99-2358	9611-99-2358	9611-99-2358
17	1	Coupling	9612-2715-01	9612-2715-01	9612-2715-02	9612-2715-02	9612-2715-03	9612-2715-03
18	1	Indication pin	9612-2719-01	9612-2719-01	9612-2719-01	9612-2719-01	9612-2719-01	9612-2719-01
19	1	Water rejector	9611-41-775-0	9611-41-775-0	9611-41-775-0	9611-41-775-0	9611-41-775-0	9611-41-775-0
Δ		Service kit	9611-92-3020	9611-92-3020	9611-92-3020	9611-92-3020	9611-92-3020	9611-92-3020

Parts marked with Δ are included in the **service kit**.

Recommended spare parts: **Service kit**.

Actuator Air/Air
Type LKLA ø133



Reg. 2.14.15	9805
Intro.	9109

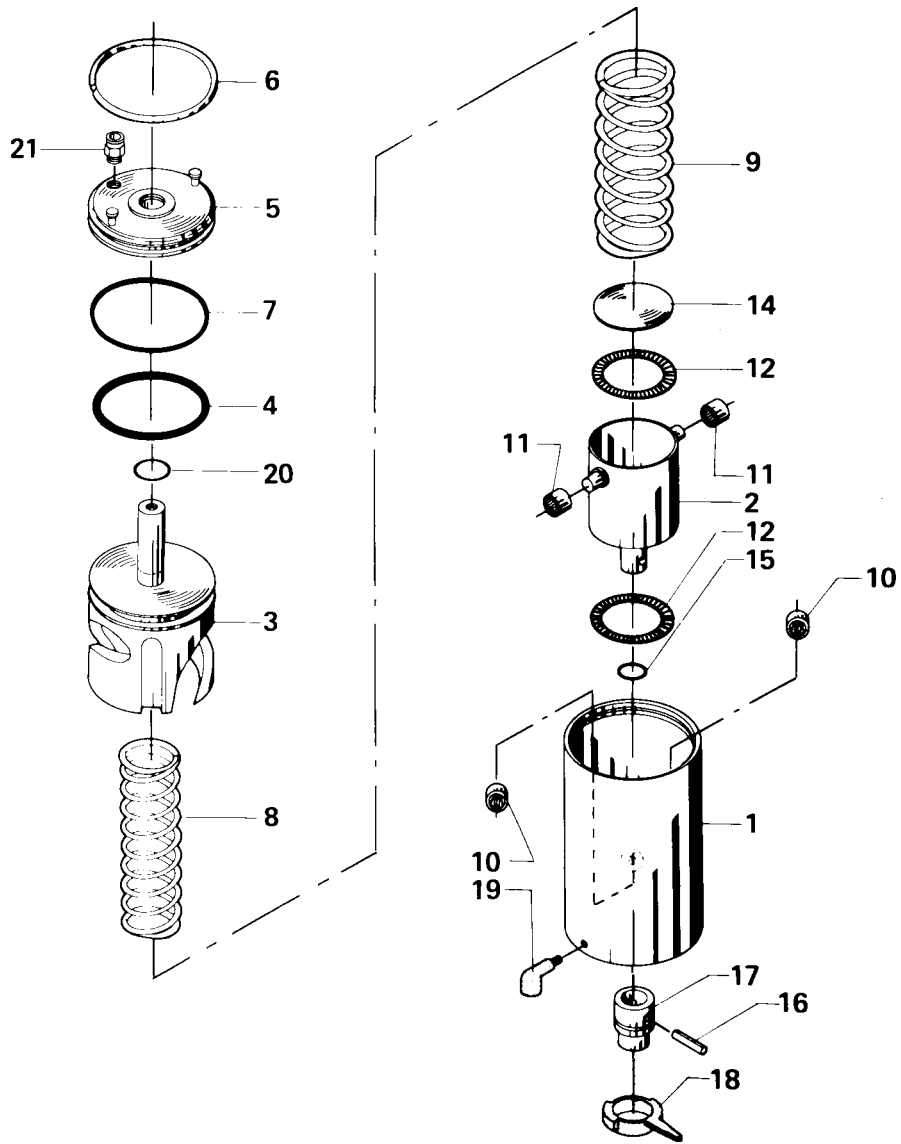
Actuator Air/Air Type LKLA ø133

Pos.	Qty.	Denomination Disc connection	9612-2713-08	9612-2713-13	9612-2713-18
			101.6 mm		
			NW 100	NW 125	NW 150
			<input type="checkbox"/> 12	<input type="checkbox"/> 14	<input type="checkbox"/> 15
1	1	Air Cylinder	9612-2685-01	9612-2685-01	9612-2685-01
2	1	Rotating cylinder	9612-2678-01	9612-2678-01	9612-2678-01
3	1	Piston	9612-2680-01	9612-2680-01	9612-2680-01
4Δ	1	O-ring, NBR	9611-99-2367	9611-99-2367	9611-99-2367
5	1	End cap	9612-2714-01	9612-2714-01	9612-2714-01
6	1	Retaining ring	9612-2682-01	9612-2682-01	9612-2682-01
7Δ	1	O-ring, NBR	9611-99-0035	9611-99-0035	9611-99-0035
10Δ	2	Needle bearing	9611-99-1231	9611-99-1231	9611-99-1231
11Δ	2	Needle bearing	9611-99-2355	9611-99-2355	9611-99-2355
12Δ	1	Thrust bearing	9611-99-2347	9611-99-2347	9611-99-2347
13	2	Connex pin	9611-99-2358	9611-99-2358	9611-99-2358
14	1	Thrust plate	9612-2804-01	9612-2804-01	9612-2804-01
15Δ	1	O-ring, NBR	9611-99-0079	9611-99-0079	9611-99-0079
16	2	Connex pin	9611-99-2357	9611-99-2357	9611-99-2357
17	1	Coupling	9612-2827-01	9612-2827-02	9612-2827-03
18	1	Indication pin	9612-2719-01	9612-2719-01	9612-2719-01
19	1	Water rejector	9611-41-775-0	9611-41-775-0	9611-41-775-0
22	1	Retaining plate	9612-3486-01	9612-3486-01	9612-3486-01
23	1	Threaded plug	9611-99-1221	9611-99-1221	9611-99-1221
Δ		Service kit	9611-92-3022	9611-92-3022	9611-92-3022

Parts marked with Δ are included in the **service kit**.

Recommended spare parts: **Service kit**.

Actuator Air/Spring Type LKLA-T (NC-NO) ø85



Reg. 2.14.16	9805
Intro.	9009

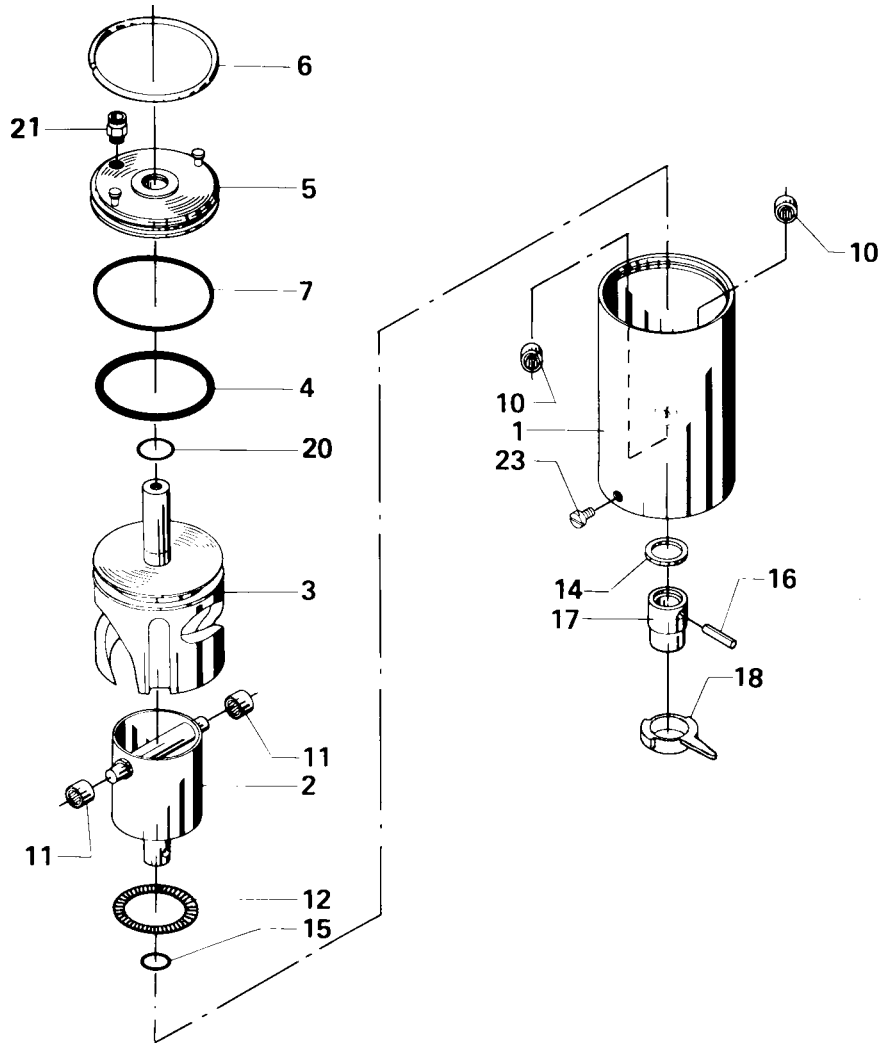
Actuator Air/Spring Type LKLA-T (NC-NO) ø85

Pos.	Qty.	Denomination Disc connection	NC	NC	NC	NO	NO	NO
			9612-1940-02 25-63.5 mm NW 25-50 <input type="checkbox"/> 8	9612-1940-03 76 mm NW 65-80 <input type="checkbox"/> 10	9612-1940-07 101.6 mm NW 100 <input type="checkbox"/> 12	9612-1940-05 25-63.5 mm NW 25-50 <input type="checkbox"/> 8	9612-1940-06 76 mm NW 65-80 <input type="checkbox"/> 10	9612-1940-08 101.6 mm NW 100 <input type="checkbox"/> 12
1	1	Air cylinder	9611-41-758-0	9611-41-758-0	9611-41-758-0	9611-41-758-0	9611-41-758-0	9611-41-758-0
2	1	Rotating cylinder	9611-41-638-0	9611-41-638-0	9611-41-638-0	9611-41-638-0	9611-41-638-0	9611-41-638-0
3	1	Piston	9612-1939-02	9612-1939-02	9612-1939-02	9612-1939-01	9612-1939-01	9612-1939-01
4	Δ 1	O-ring, NBR	9611-99-0052	9611-99-0052	9611-99-0052	9611-99-0052	9611-99-0052	9611-99-0052
5	1	End cap	9612-1936-01	9612-1936-01	9612-1936-01	9612-1936-01	9612-1936-01	9612-1936-01
6	1	Retaining ring	9611-40-202-1	9611-40-202-1	9611-40-202-1	9611-40-202-1	9611-40-202-1	9611-40-202-1
7	Δ 1	O-ring, NBR	9611-99-0396	9611-99-0396	9611-99-0396	9611-99-0396	9611-99-0396	9611-99-0396
8	1	Inner spring	9611-99-1629	9611-99-1629	9611-99-1629	9611-99-1629	9611-99-1629	9611-99-1629
9	1	Outer spring	9611-99-1631	9611-99-1631	9611-99-1631	9611-99-1631	9611-99-1631	9611-99-1631
10	Δ 2	Needle bearing	9611-99-1230	9611-99-1230	9611-99-1230	9611-99-1230	9611-99-1230	9611-99-1230
11	Δ 2	Needle bearing	9611-99-1231	9611-99-1231	9611-99-1231	9611-99-1231	9611-99-1231	9611-99-1231
12	Δ 2	Thrust bearing	9611-99-1236	9611-99-1236	9611-99-1236	9611-99-1236	9611-99-1236	9611-99-1236
14	1	Thrust plate	9611-41-646-0	9611-41-646-0	9611-41-646-0	9611-41-646-0	9611-41-646-0	9611-41-646-0
15	Δ 1	O-ring, NBR	9611-99-1233	9611-99-1233	9611-99-1233	9611-99-1233	9611-99-1233	9611-99-1233
16	1	Connex pin	9611-99-1235	9611-99-1235	9611-99-1235	9611-99-1235	9611-99-1235	9611-99-1235
17	1	Coupling	9611-41-644-0	9611-41-645-0	9612-0447-03	9611-41-644-0	9611-41-645-0	9612-0447-03
18	1	Activating ring	9611-41-669-0	9611-41-669-0	9611-41-669-0	9611-41-669-0	9611-41-669-0	9611-41-669-0
		with screw						
19	1	Water rejector	9611-41-775-0	9611-41-775-0	9611-41-775-0	9611-41-775-0	9611-41-775-0	9611-41-775-0
20	Δ 1	O-ring, NBR	223404-21	223404-21	223404-21	223404-21	223404-21	223404-21
21	1	Air fitting	9611-99-2323	9611-99-2323	9611-99-2323	9611-99-2323	9611-99-2323	9611-99-2323
Δ		Service kit	9611-92-3021	9611-92-3021	9611-92-3021	9611-92-3021	9611-92-3021	9611-92-3021

Parts marked with Δ are included in the **service kit**.

Recommended spare parts: **Service kit**.

Actuator Air/Air Type LKLA-T ø85



Reg. 2.14.17	9805
Intro.	9009

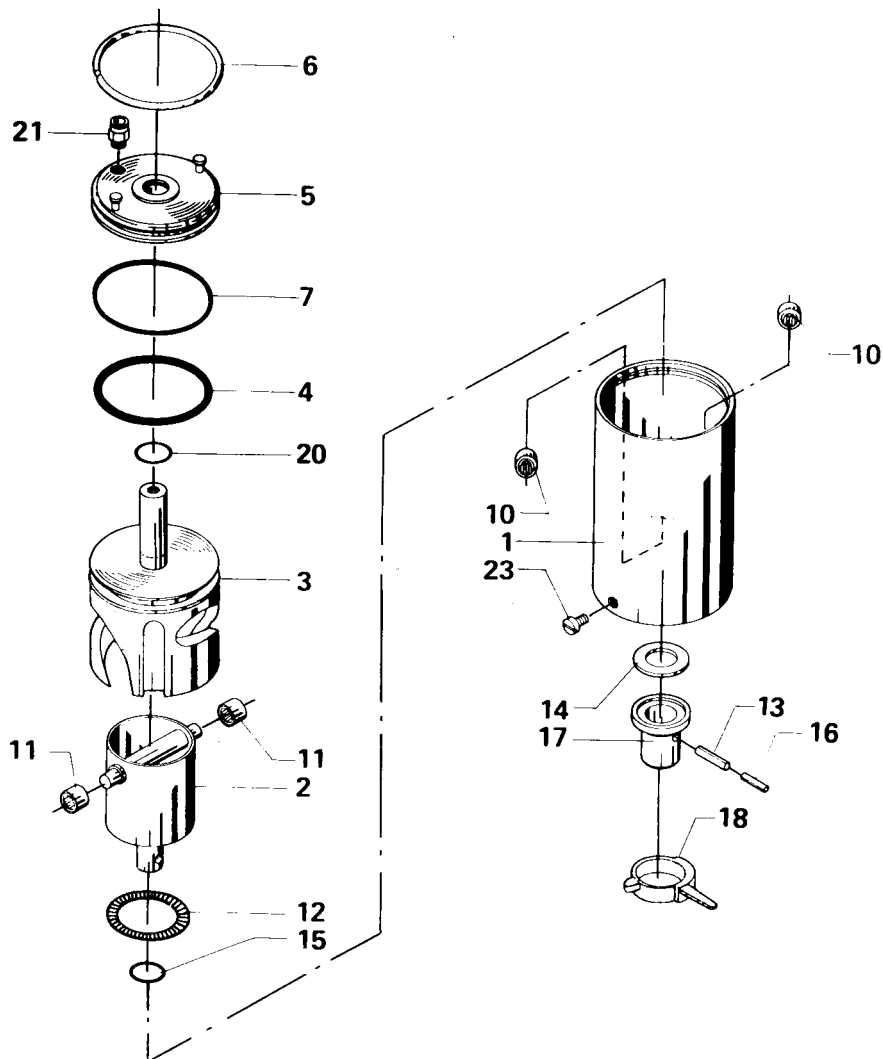
Actuator Air/Air Type LKLA-T ø85

Pos.	Qty.	Denomination Disc connection	9612-1941-02	9612-1941-03	9612-1941-04
			25-63.5 mm NW 25-50 <input type="checkbox"/> 8	76 mm NW 65-80 <input type="checkbox"/> 10	101.6 mm NW 100 <input type="checkbox"/> 12
1	1	Air cylinder	9611-41-758-0	9611-41-758-0	9611-41-758-0
2	1	Rotating cylinder	9611-41-744-1	9611-41-744-1	9611-41-744-1
3	1	Piston	9612-1939-03	9612-1939-03	9612-1939-03
4 Δ	1	O-ring, NBR	9611-99-0052	9611-99-0052	9611-99-0052
5	1	End cap	9612-1936-01	9612-1936-01	9612-1936-01
6	1	Retaining ring	9611-40-202-1	9611-40-202-1	9611-40-202-1
7 Δ	1	O-ring, NBR	9611-99-0396	9611-99-0396	9611-99-0396
10Δ	2	Needle bearing	9611-99-1230	9611-99-1230	9611-99-1230
11Δ	2	Needle bearing	9611-99-1231	9611-99-1231	9611-99-1231
12Δ	1	Thrust bearing	9611-99-1236	9611-99-1236	9611-99-1236
14	1	Thrust plate	9611-41-757-0	9611-41-757-0	9611-41-757-0
15Δ	1	O-ring, NBR	9611-99-1233	9611-99-1233	9611-99-1233
16	1	Connex pin	9611-99-1235	9611-99-1235	9611-99-1235
17	1	Coupling	9611-41-755-1	9611-41-756-1	9612-0448-02
18	1	Activating ring with screw	9611-41-669-0	9611-41-669-0	9611-41-669-0
20Δ	1	O-ring, NBR	223404-21	223404-21	223404-21
21	1	Air fitting	9611-99-2323	9611-99-2323	9611-99-2323
23	1	Threaded plug	9611-99-1221	9611-99-1221	9611-99-1221
Δ		Service kit	9611-92-3023	9611-92-3023	9611-92-3023

Parts marked with Δ are included in the **service kit**.

Recommended spare parts: **Service kit**.

Actuator Air/Air
Type LKLA-T NW125-150 ø85



Reg. 2.14.18	9805
Intro.	9009

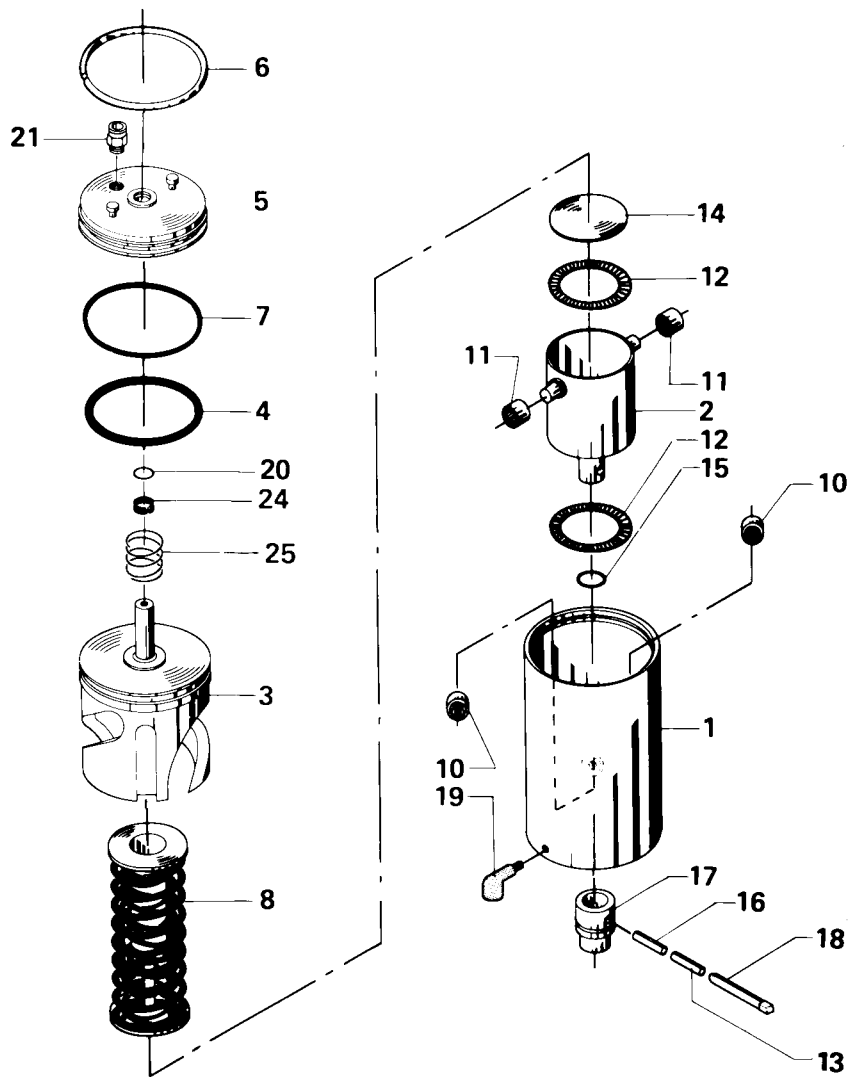
Actuator Air/Air Type LKLA-T NW125-150 ø85

Pos.	Qty.	Disc connection Denomination	9612-1942-02	9612-1942-01
			□ 14 NW 125	□ 15 NW 150
1	1	Air cylinder	9611-41-742-0	9611-41-742-0
2	1	Rotating cylinder	9611-41-744-0	9611-41-744-0
3	1	Piston	9612-1939-03	9612-1939-03
4 Δ	1	O-ring, NBR	9611-99-0052	9611-99-0052
5	1	End cap	9612-1936-01	9612-1936-01
6	1	Retaining ring	9611-40-202-1	9611-40-202-1
7 Δ	1	O-ring, NBR	9611-99-0396	9611-99-0396
10Δ	2	Needle bearing	9611-99-1230	9611-99-1230
11Δ	2	Needle bearing	9611-99-1231	9611-99-1231
12Δ	1	Thrust bearing	9611-99-1236	9611-99-1236
13	1	Connex pin	9611-99-1314	9611-99-1314
14	1	Thrust plate	9611-41-754-0	9611-41-754-0
15Δ	1	O-ring, NBR	9611-99-0030	9611-99-0030
16	1	Connex pin	9611-99-1313	9611-99-1313
17	1	Coupling	9612-2856-02	9611-41-747-1
18	1	Activating ring with screw	9611-41-665-0	9611-41-665-0
20Δ	1	O-ring, NBR	223404-21	223404-21
21	1	Air fitting	9611-99-2323	9611-99-2323
23	1	Threaded plug	9611-99-1221	9611-99-1221
Δ		Service kit	9611-92-3024	9611-92-3024

Parts marked with Δ are included in the **service kit**.

Recommended spare parts: **Service kit**.

Actuator Air/Spring Type LKLA-T (NC-NO) $\varnothing 133$



Reg. 2.14.19	9805
Intro.	9009

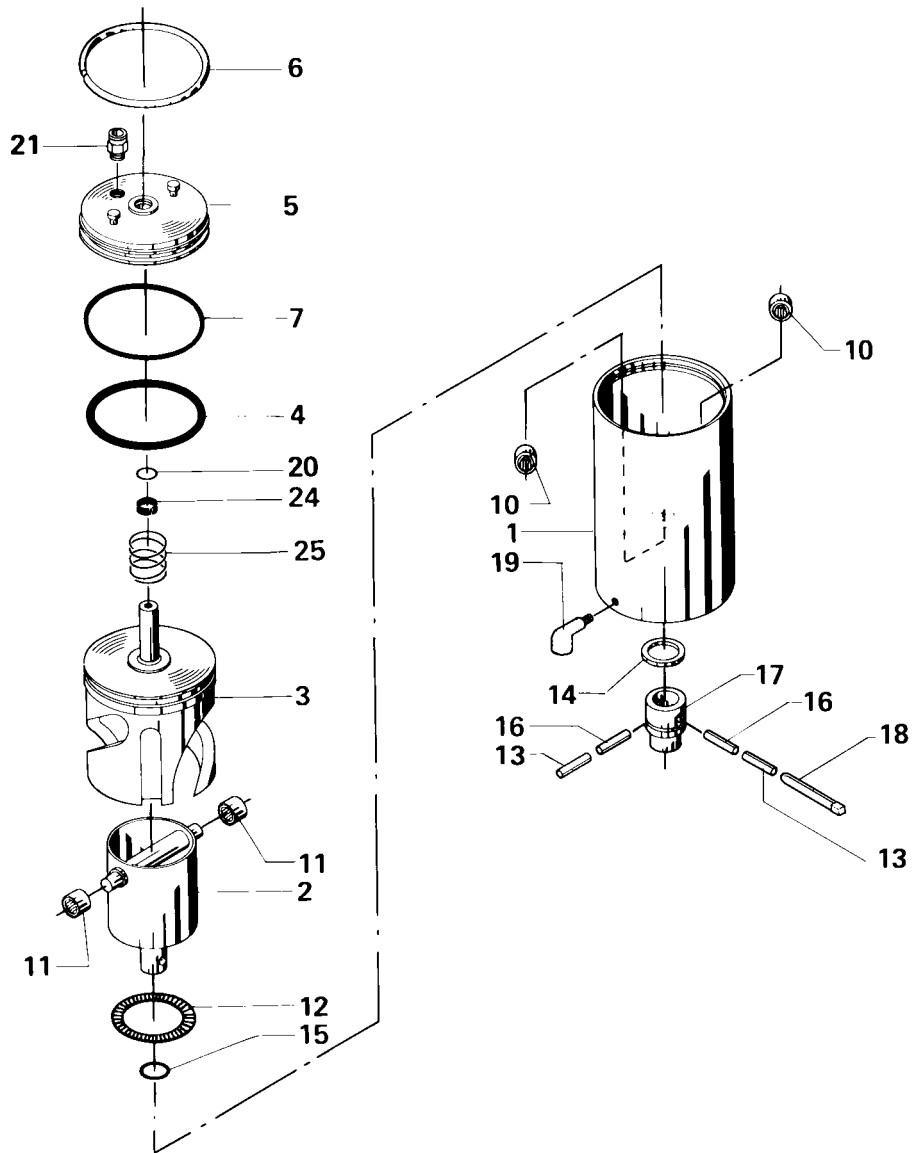
Actuator Air/Spring Type LKLA-T (NC-NO) ø133

Pos.	Qty.	Denomination Disc connection	NC	NO	NC	NO	NC	NO
			9612-3749-06 101.6 mm NW 100 12	9612-3749-07 101.6 mm NW 100 12	9612-3749-11 NW 125 14	9612-3749-12 NW 125 14	9612-3749-16 NW 150 15	9612-3749-17 NW 150 15
1	1	Air cylinder	9612-2685-01	9612-2685-01	9612-2685-01	9612-2685-01	9612-2685-01	9612-2685-01
2	1	Rotating cylinder	9612-2678-01	9612-2678-01	9612-2678-01	9612-2678-01	9612-2678-01	9612-2678-01
3	1	Piston	9612-3699-01	9612-3699-02	9612-3699-01	9612-3699-02	9612-3699-01	9612-3699-02
4 Δ	1	O-ring, NBR	9611-99-2367	9611-99-2367	9611-99-2367	9611-99-2367	9611-99-2367	9611-99-2367
5	1	End cap	9612-2714-02	9612-2714-02	9612-2714-02	9612-2714-02	9612-2714-02	9612-2714-02
6	1	Retaining ring	9612-2682-01	9612-2682-01	9612-2682-01	9612-2682-01	9612-2682-01	9612-2682-01
7 Δ	1	O-ring, NBR	9611-99-0035	9611-99-0035	9611-99-0035	9611-99-0035	9611-99-0035	9611-99-0035
8	1	Spring assembly	9612-2701-01	9612-2701-01	9612-2701-01	9612-2701-01	9612-2701-01	9612-2701-01
10Δ	2	Needle bearing	9611-99-1231	9611-99-1231	9611-99-1231	9611-99-1231	9611-99-1231	9611-99-1231
11Δ	2	Needle bearing	9611-99-2355	9611-99-2355	9611-99-2355	9611-99-2355	9611-99-2355	9611-99-2355
12Δ	2	Thrust bearing	9611-99-2347	9611-99-2347	9611-99-2347	9611-99-2347	9611-99-2347	9611-99-2347
13	1	Connex pin	9611-99-2357	9611-99-2357	9611-99-2357	9611-99-2357	9611-99-2357	9611-99-2357
14	1	Thrust plate	9612-2671-01	9612-2671-01	9612-2671-01	9612-2671-01	9612-2671-01	9612-2671-01
15Δ	1	O-ring, NBR	9611-99-0079	9611-99-0079	9611-99-0079	9611-99-0079	9611-99-0079	9611-99-0079
16	1	Connex pin	9611-99-2358	9611-99-2358	9611-99-2358	9611-99-2358	9611-99-2358	9611-99-2358
17	1	Coupling	9612-2715-01	9612-2715-01	9612-2715-02	9612-2715-02	9612-2715-03	9612-2715-03
18	1	Indication pin	9612-2719-01	9612-2719-01	9612-2719-01	9612-2719-01	9612-2719-01	9612-2719-01
19	1	Water rejector	9611-41-775-0	9611-41-775-0	9611-41-775-0	9611-41-775-0	9611-41-775-0	9611-41-775-0
20Δ	1	O-ring	223404-21	223404-21	223404-21	223404-21	223404-21	223404-21
21	1	Air fitting	9611-99-2323	9611-99-2323	9611-99-2323	9611-99-2323	9611-99-2323	9611-99-2323
24Δ	1	Guiding ring	9612-3698-01	9612-3698-01	9612-3698-01	9612-3698-01	9612-3698-01	9612-3698-01
25	1	Spring	9612-3700-01	9612-3700-01	9612-3700-01	9612-3700-01	9612-3700-01	9612-3700-01
Δ		Service kit	9611-92-3056	9611-92-3056	9611-92-3056	9611-92-3056	9611-92-3056	9611-92-3056

Parts marked with Δ are included in the **service kit**.

Recommended spare parts: **Service kit**.

Actuator Air/Air Type LKLA-T ø133



Reg. 2.14.20	9805
Intro.	9009

Actuator Air/Air Type LKLA-T ø133

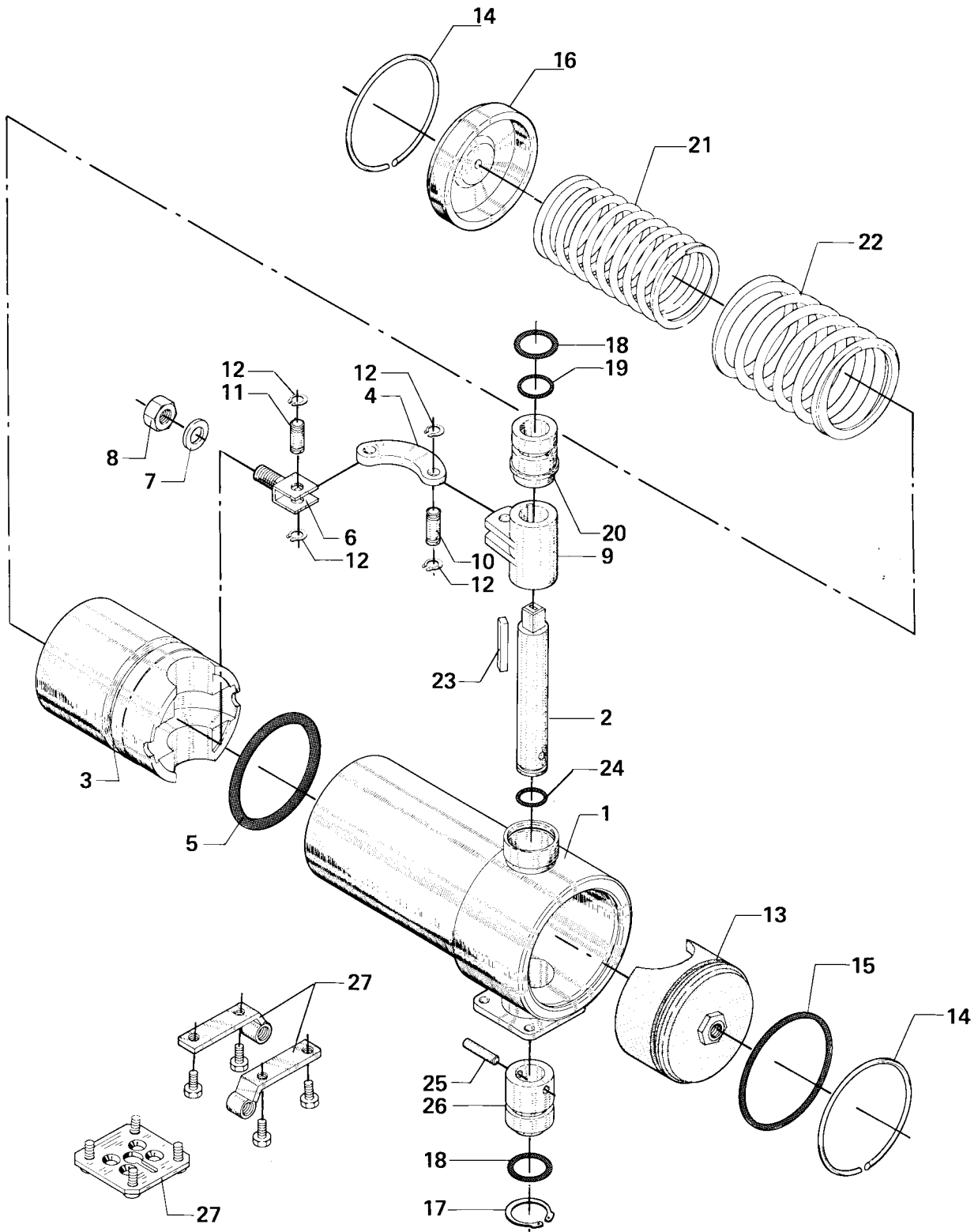
Pos.	Qty.	Denomination Disc connection	9612-3749-08	9612-3749-13	9612-3749-18
			101.6 mm		
			NW 100 <input type="checkbox"/> 12	NW 125 <input type="checkbox"/> 14	NW 150 <input type="checkbox"/> 15
1	1	Air cylinder	9612-2685-01	9612-2685-01	9612-2685-01
2	1	Rotating cylinder	9612-2678-01	9612-2678-01	9612-2678-01
3	1	Piston	9612-3699-02	9612-3699-02	9612-3699-02
4Δ	1	O-ring, NBR	9611-99-2367	9611-99-2367	9611-99-2367
5	1	End cap	9612-2714-02	9612-2714-02	9612-2714-02
6	1	Retaining ring	9612-2682-01	9612-2682-01	9612-2682-01
7Δ	1	O-ring, NBR	9611-99-0035	9611-99-0035	9611-99-0035
10Δ	2	Needle bearing	9611-99-1231	9611-99-1231	9611-99-1231
11Δ	2	Needle bearing	9611-99-2355	9611-99-2355	9611-99-2355
12Δ	1	Thrust bearing	9611-99-2347	9611-99-2347	9611-99-2347
13	2	Connex pin	9611-99-2358	9611-99-2358	9611-99-2358
14	1	Thrust plate	9612-2804-01	9612-2804-01	9612-2804-01
15Δ	1	O-ring, NBR	9611-99-0079	9611-99-0079	9611-99-0079
16	2	Connex pin	9611-99-2357	9611-99-2357	9611-99-2357
17	1	Coupling	9612-2827-01	9612-2827-02	9612-2827-03
18	1	Indication pin	9612-2719-01	9612-2719-01	9612-2719-01
19	1	Water rejector	9611-41-775-0	9611-41-775-0	9611-41-775-0
20Δ	1	O-ring, NBR	223404-21	223404-21	223404-21
21	1	Air fitting	9611-99-2323	9611-99-2323	9611-99-2323
24Δ	1	Guiding band	9612-3698-01	9612-3698-01	9612-3698-01
25	1	Spring	9612-3700-01	9612-3700-01	9612-3700-01
Δ		Service kit	9611-92-3057	9611-92-3057	9611-92-3057

Parts marked with Δ are included in the **service kit**.

Recommended spare parts: **Service kit**.

**Air-Actuator Air/Spring - D 80
for Butterfly Valve type LKB**

Not manufactured anymore



Reg. 2.14.21	9805
Intro.	7701

Air-Actuator Air/Spring - D 80 for Butterfly Valve type LKB

Aisi 304

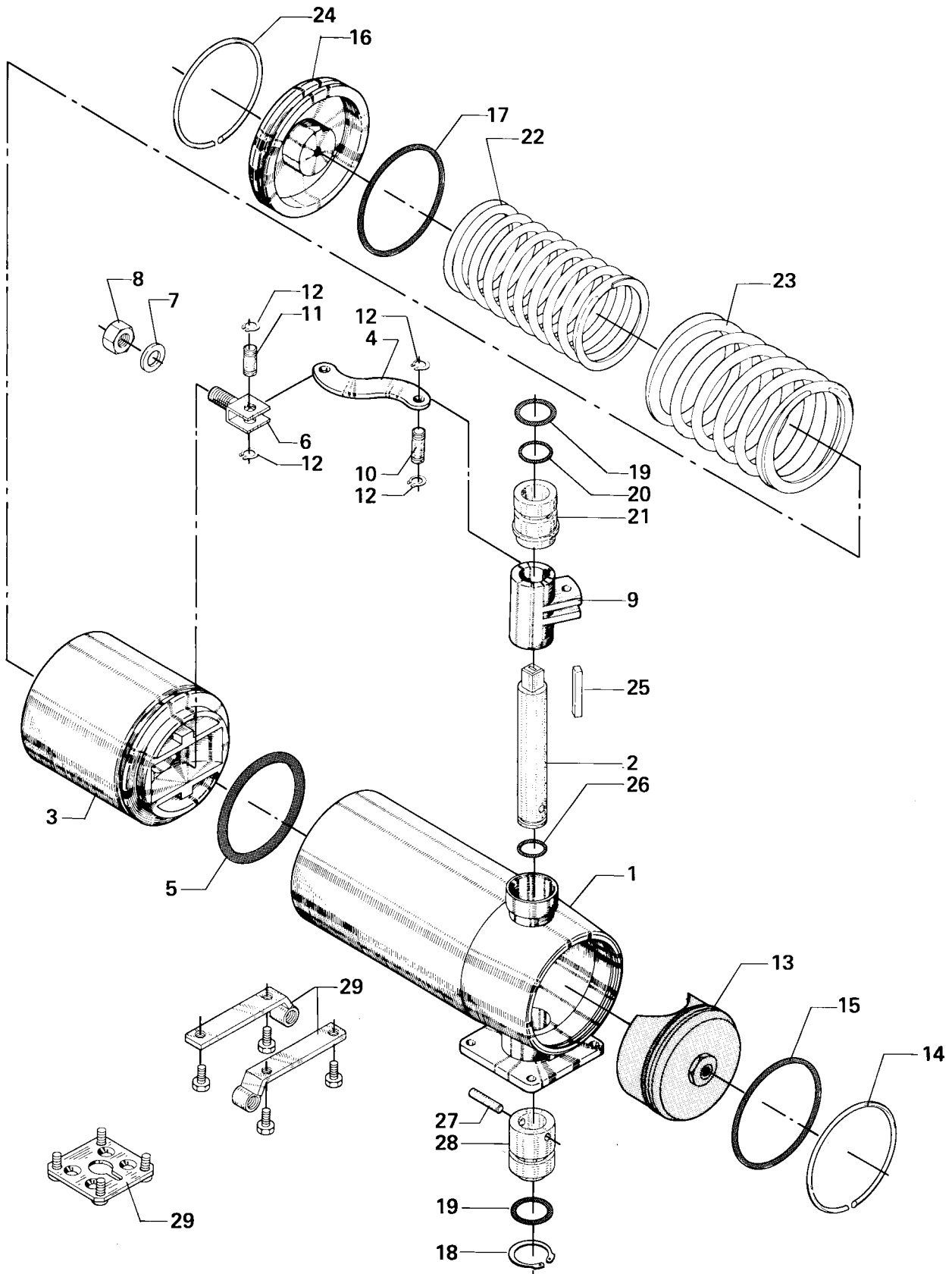
Pos.	Qty.	Denomination	9611-41-053-0 38-51-63.5 mm NW 40-NW 50-NW 65
1	1	Air Cylinder	9611-41-084-0
2	1	Shaft	9611-41-105-1
3	1	Piston	9611-41-095-0
4	1	Strap plate	9611-41-094-0
5	1	O-ring, NBR	9611-99-0052
6	1	Yoke	9611-41-097-0
7	1	Washer	9611-99-0786
8	1	Safety nut	9611-99-0477
9	1	Moment arm	9611-41-102-0
10	1	Long pin	9611-41-107-0
11	1	Short pin	9611-41-108-0
12	4	Seegerring	9611-99-0784
13	1	End cover	9611-41-083-0
14	2	Retaining ring	9611-40-2021
15	1	O-ring, NBR	9611-99-0396
16	1	End cover	9611-41-085-1
17	1	Seegerring	9611-99-1192
18	2	O-ring, NBR	9611-99-0398
19	1	O-ring, NBR	9611-99-0088
20	1	Bronze bearing	9611-41-106-0
21	1	Spring - ø5,5 mm	9611-99-1522
22	1	Spring - ø6,5 mm	9611-99-1524
23	1	Fitted key lock	9611-99-0457
24	1	O-ring, NBR	9611-99-0399
25	1	Connex pin	9611-99-0635
26	1	Bronze bearing	9611-41-099-1
27	1 set	Mounting size -	9611-41-080-0
		38 mm - NW 40	
	1 set	Mounting size -	9611-41-080-1
		51 mm - NW 50	
	1 set	Mounting size -	9611-41-080-2
		63,5 mm - NW 65	
27	1	Mounting plate	9611-41-116-0
		(Period 7501-7902)	
	4	Cheese head screw, M6x16	9611-99-0493
	1	Bush	9611-41-173-0
	4	Countersunk screw M6x8	9611-99-0468
	4	Nut, M6	9611-99-0252

Not manufactured anymore

Recommended spare parts: Pos. 5, 15, 18, 19, 24.

**Air-Actuator Air/Spring - D 96
for Butterfly Valve type LKB**

Not manufactured anymore



Reg. 2.14.22	9805
Intro.	7701

Air-Actuator Air/Spring - D 96 for Butterfly Valve type LKB

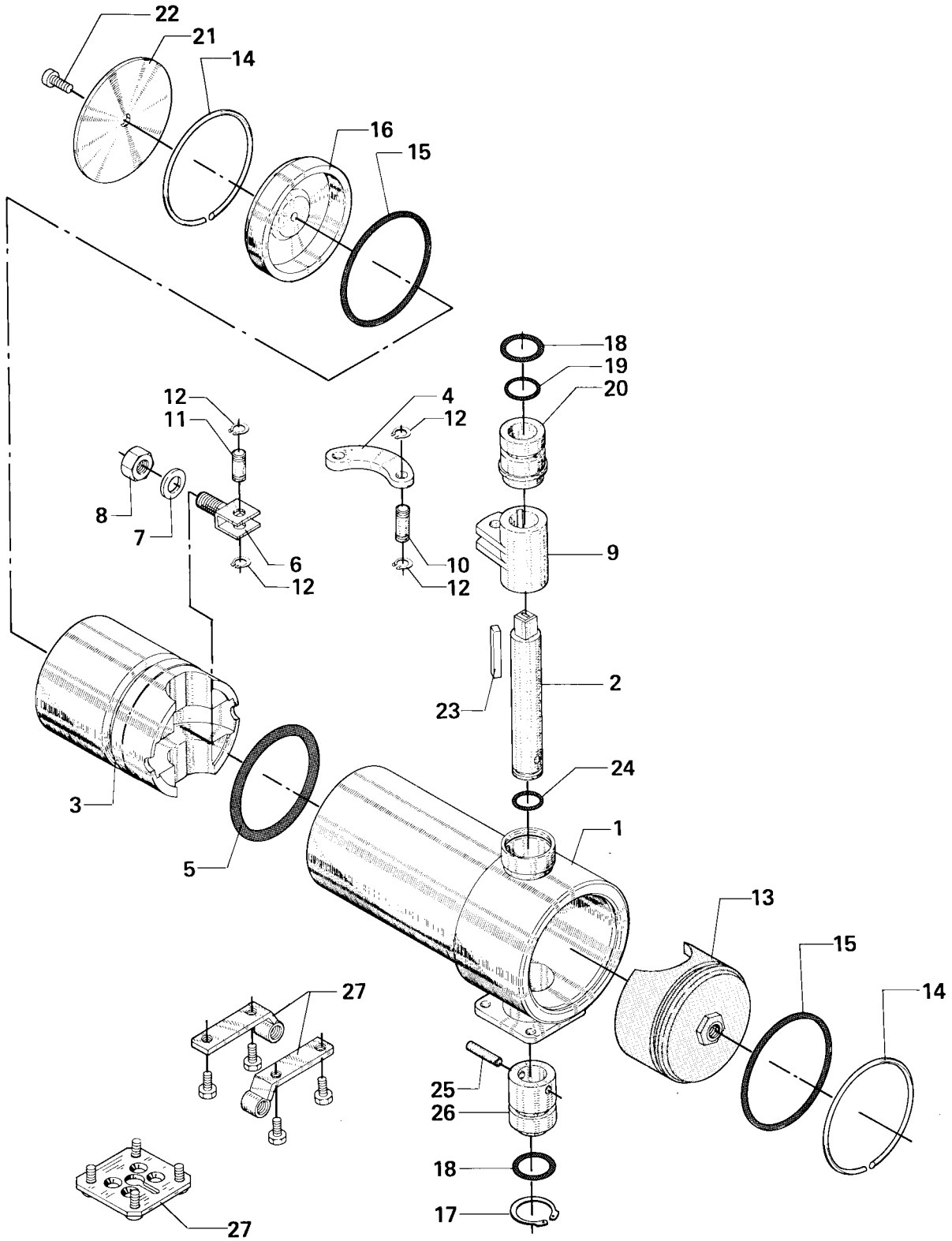
Pos.	Qty.	Denomination	9611-41-397-0 76 - 101,6 mm NW 80-NW 100
1	1	Air Cylinder	9611-41-398-0
2	1	Shaft	9611-41-403-0
3	1	Piston	9611-41-396-0
4	1	Strap plate	9611-41-405-0
5	1	O-ring, NBR	9611-99-1195
6	1	Yoke	9611-41-097-0
7	1	Washer	9611-99-0786
8	1	Safety nut	9611-99-0477
9	1	Moment arm	9611-41-102-0
10	1	Long pin	9611-41-107-0
11	1	Short pin	9611-41-108-0
12	4	Seegerring	9611-99-0784
13	1	End cover	9611-41-083-0
14	1	Retaining ring	9611-40-2021
15	1	O-ring, NBR	9611-99-0396
16	1	End cover	9611-41-404-0
17	1	O-ring, NBR	9611-99-0642
18	1	Seegerring	9611-99-1192
19	2	O-ring, NBR	9611-99-0398
20	1	O-ring, NBR	9611-99-0088
21	1	Bronze bearing	9611-41-106-0
22	1	Spring - ø5,5 mm	9611-99-1587
23	1	Spring - ø6,5 mm	9611-99-1589
24	1	Retaining ring	9611-41-425-0
25	1	Fitted key lock	9611-99-0457
26	1	O-ring, NBR	9611-99-0399
27	1	Connex pin	9611-99-1191
28	1	Bearing	9611-41-099-0
29	1 set	Mounting size - 76 mm	9611-41-080-3
	1 set	Mounting size - NW 80	9611-41-080-4
	1 set	Mounting size -	9611-41-080-5
		NW 100 - 101,6 mm	
29	1	Mounting plate	9611-41-119-0
		(Period 7501-7902)	
	4	Cheese head screw, M6x16	9611-99-0493
	1	Bush	9611-41-111-0
	4	Countersunk screw M6x10	9611-99-0318
	4	Nut, M6	9611-99-0252

Not manufactured anymore

Recommended spare parts: pos. 5, 15, 17, 19, 20, 26.

Air-Actuator Air/Air - D 80
for Butterfly Valve type LKB

Not manufactured anymore



Reg. 2.14.23	9805
Intro.	7701

Air-Actuator Air/Air - D 80 for Butterfly Valve type LKB

Aisi 304

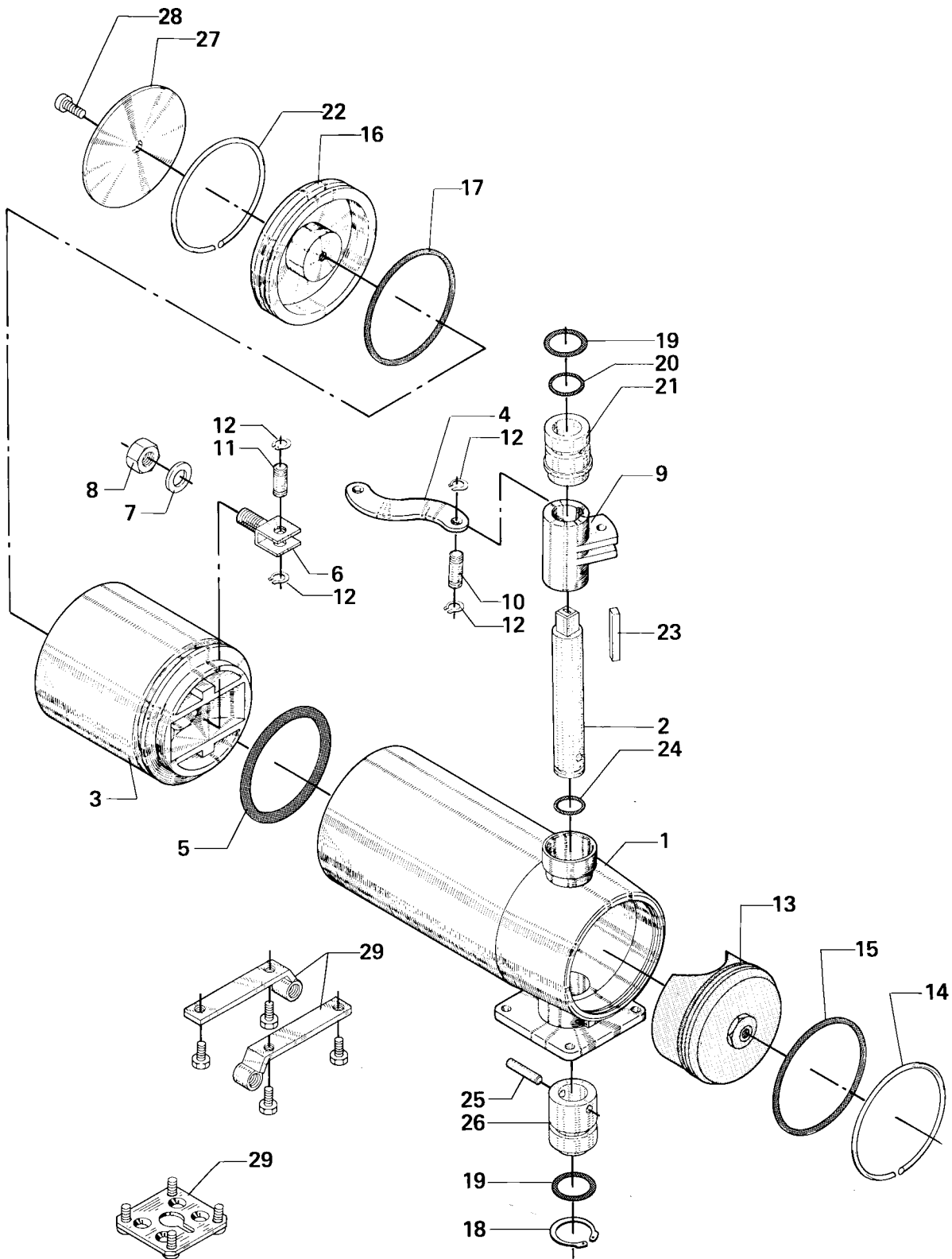
Pos.	Qty.	Denomination	9611-41-435-0 38-51-63,5 mm NW 40-NW 50-NW 65
1	1	Air Cylinder	9611-41-084-0
2	1	Shaft	9611-41-105-1
3	1	Piston (Hostaform)	9611-41-095-0
4	1	Strap plate	9611-41-094-0
5	1	O-ring, NBR	9611-99-0052
	1	K-ring (Period 7506-7711)	9611-99-0142
6	1	Yoke	9611-41-097-0
7	1	Washer	9611-99-0786
8	1	Safety nut	9611-99-0477
9	1	Moment arm	9611-41-102-0
10	1	Long pin	9611-41-107-0
11	1	Short pin	9611-41-108-0
12	4	Seegerring	9611-99-0784
13	1	End cover	9611-41-083-0
14	2	Retaining ring	9611-40-2021
15	2	O-ring, NBR	9611-99-0396
16	1	End cover	9611-41-434-0
17	1	Seegerring	9611-99-1192
18	2	O-ring, NBR	9611-99-0398
19	1	O-ring, NBR	9611-99-0088
20	1	Bronze bearing	9611-41-106-0
21	1	Retaining plate	9611-41-437-0
22	1	1/8" Thread-plug	9611-99-1221
23	1	Fitted key lock	9611-99-0457
24	1	O-ring, NBR	9611-99-0399
25	1	Connex pin	9611-99-0635
26	1	Bronze bearing	9611-41-099-1
27	1 set	Mounting size -	9611-41-080-0
		38 mm - NW 40	
	1 set	Mounting size -	9611-41-080-1
		51 mm - NW 50	
	1 set	Mounting size -	9611-41-080-2
		63,5 mm - NW 65	
27	1	Mounting plate	9611-41-116-0
		(Period 7501-7902)	
	4	Cheese head screw, M6x16	9611-99-0493
	1	Bush	9611-41-173-0
	4	Countersunk screw M6x8	9611-99-0468
	4	Nut, M6	9611-99-0252

Not manufactured anymore

Recommended spare parts: pos. 5, 15, 19, 24.

Air-Actuator Air/Air - D 96
for Butterfly Valve type LKB

Not manufactured anymore



Reg. 2.14.24	9805
Intro.	7701

Air-Actuator Air/Air - D 96 for Butterfly Valve type LKB

Aisi 304

Pos.	Qty.	Denomination	9611-41-436-0 76 - 101,6 mm NW 80-NW 100
1	1	Air Cylinder	9611-41-398-0
2	1	Shaft	9611-41-403-0
3	1	Piston (Noryl)	9611-41-396-0
4	1	Strap plate	9611-41-405-0
5	1	O-ring, NBR	9611-99-1195
6	1	Yoke	9611-41-097-0
7	1	Washer	9611-99-0786
8	1	Safety nut	9611-99-0477
9	1	Moment arm	9611-41-102-0
10	1	Long pin	9611-41-107-0
11	1	Short pin	9611-41-108-0
12	4	Seegerring	9611-99-0784
13	1	End cover	9611-41-083-0
14	1	Retaining ring	9611-40-2021
15	1	O-ring, NBR	9611-99-0396
16	1	End cover	9611-41-404-0
17	1	O-ring, NBR	9611-99-0642
18	1	Seegerring	9611-99-1192
19	2	O-ring, NBR	9611-99-0398
20	1	O-ring, NBR	9611-99-0088
21	1	Bronze bearing	9611-41-106-0
22	1	Retaining ring	9611-41-425-0
23	1	Fitted key lock	9611-99-0457
24	1	O-ring, NBR	9611-99-0399
25	1	Connex pin	9611-99-1191
26	1	Bronze bearing	9611-41-099-0
27	1	Retaining plate	9611-41-438-0
28	1	Thread-plug	9611-99-1221
29	1 set	Mounting size - 76 mm	9611-41-080-3
	1 set	Mounting size - NW 80	9611-41-080-4
	1 set	Mounting size -	9611-41-080-5
		NW 100 - 101,6 mm	
29	1	Mounting plate	9611-41-119-0
		(Period 7501-7902)	
	4	Cheese head screw, M6x16	9611-99-0493
	1	Bush	9611-41-111-0
	4	Countersunk screw M6x10	9611-99-0318
	4	Nut, M6	9611-99-0252

Not manufactured anymore

Recommended spare parts: pos. 5, 15, 17, 19, 20, 24.