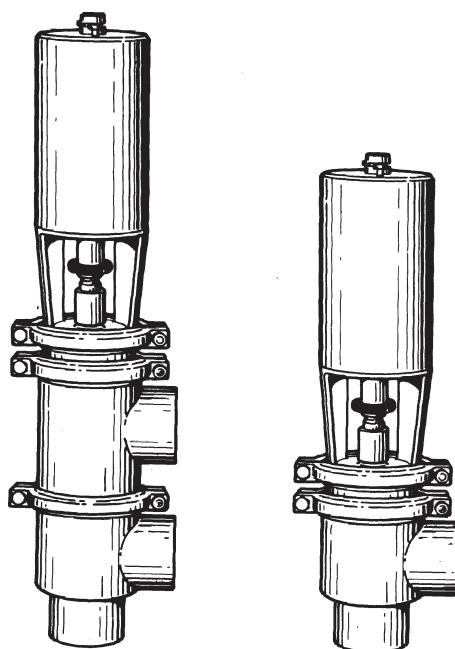


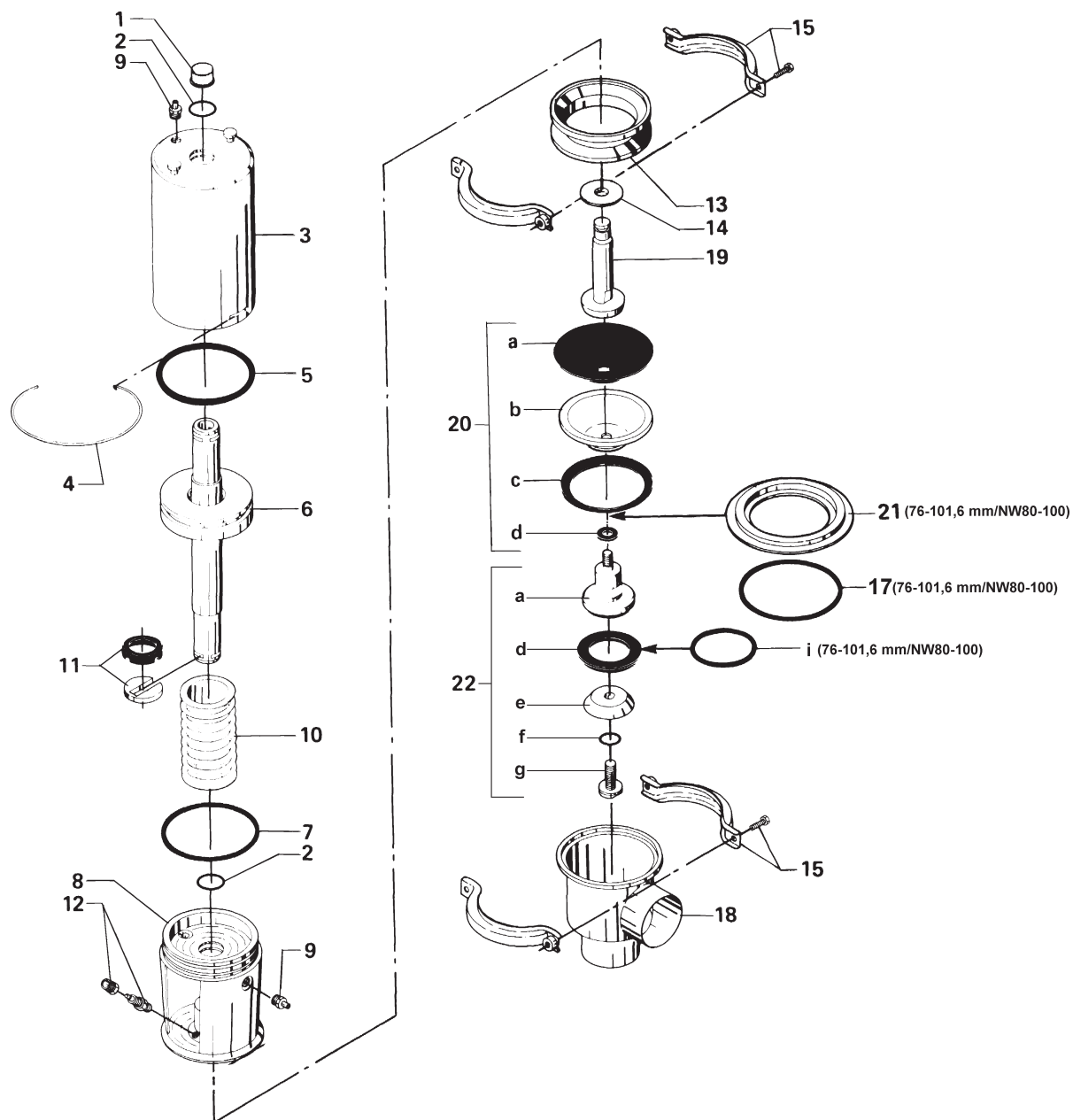
Spare Parts

ARC Aseptic Remote-Controlled Valve with PTFE diaphragm



Aseptic Remote Controlled Valve Type ARC - Stop Valve

2



Aseptic Remote Controlled Valve Type ARC - Stop Valve

Pos.

3

Actuator

Qty.	Denomination	DN40 38 mm	DN50 51 mm	DN65 63.5 mm	76 mm	DN80	DN 100 101.6 mm
	Actuator -1, complete	31353-0206-4	31353-0206-4	31353-0206-4	31353-0214-4	31353-0214-4	31353-0214-4
	Actuator -2, complete	31353-0206-6	31353-0206-6	31353-0206-6	31353-0214-6	31353-0214-6	31353-0214-6
	Actuator -3, complete	31353-0206-7	31353-0206-7	31353-0206-7	31353-0214-7	31353-0214-7	31353-0214-7
1	Cap	31801-0525-6	31801-0525-6	31801-0525-6	31801-0525-5	31801-0525-5	31801-0525-5
2Δ	O-ring	223406-25	223406-25	223406-25	223406-49	223406-49	223406-49
3	Cylinder	31353-0139-1	31353-0139-1	31353-0139-1	31353-0185-1	31353-0185-1	31353-0185-1
4Δ	Lock wire	31353-0151-1	31353-0151-1	31353-0151-1	31353-0189-1	31353-0189-1	31353-0189-1
5Δ	O-ring	223401-74	223401-74	223401-74	223401-75	223401-75	223401-75
6	Piston -1, -2	31353-0621-1	31353-0621-1	31353-0621-1	31353-0619-1	31353-0619-1	31353-0619-1
	Piston -3	31353-0621-2	31353-0621-2	31353-0621-2	31353-0619-2	31353-0619-2	31353-0619-2
7Δ	O-ring	9611-99-0396	9611-99-0396	9611-99-0396	223406-17	223406-17	223406-17
8	Bonnet	31353-0133-2	31353-0133-2	31353-0133-2	31353-0190-2	31353-0190-2	31353-0190-2
9*	Plug	31353-0154-1	31353-0154-1	31353-0154-1	31353-0154-1	31353-0154-1	31353-0154-1
10a*	Spring assembly	31353-0625-1	31353-0625-1	31353-0625-1	31353-0622-1	31353-0622-1	31353-0622-1
	(standard black)						
10b*	Spring assembly with extra ..	31353-0625-2	31353-0625-2	31353-0625-2	31353-0622-2	31353-0622-2	31353-0622-2
	strong spring (white)						
11Δ	Clip, complete	31353-0793-1	31353-0793-1	31353-0793-1	31353-0793-2	31353-0793-2	31353-0793-2
12	Drain tube	31801-1444-1	31801-1444-1	31801-1444-1	31801-1444-1	31801-1444-1	31801-1444-1
Δ	Service kit	9611-92-0008	9611-92-0008	9611-92-0008	9611-92-0009	9611-92-0009	9611-92-0009

* Only for actuators -1 and -2.

Pos.	Qty.	Denomination	DN40 38 mm	DN50 51 mm	DN65 63.5 mm	76 mm	DN80	DN 100 101.6 mm
13	1	Intermediate piece	31353-0813-1	31353-0813-1	31353-0813-1	31353-0840-1	31353-0840-1	31353-0840-1

Clamp

15	2	Clamp and screws	31320-0027-3	31320-0027-3	31320-0027-3	31320-0027-5	31320-0027-5	31320-0027-5
		(period 9209-)						
15a	4	Clamp half (Period -9209)	31320-0022-1	31320-0022-1	31320-0022-1	31320-0021-1	31320-0021-1	31320-0021-1
15b	2	Screw (Period -9209)	2210936-18	2210936-18	2210936-18	2210936-18	2210936-18	2210936-18
15c	2	Screw (Period -9209)	2210936-19	2210936-19	2210936-19	2210936-19	2210936-19	2210936-19

Valve Body

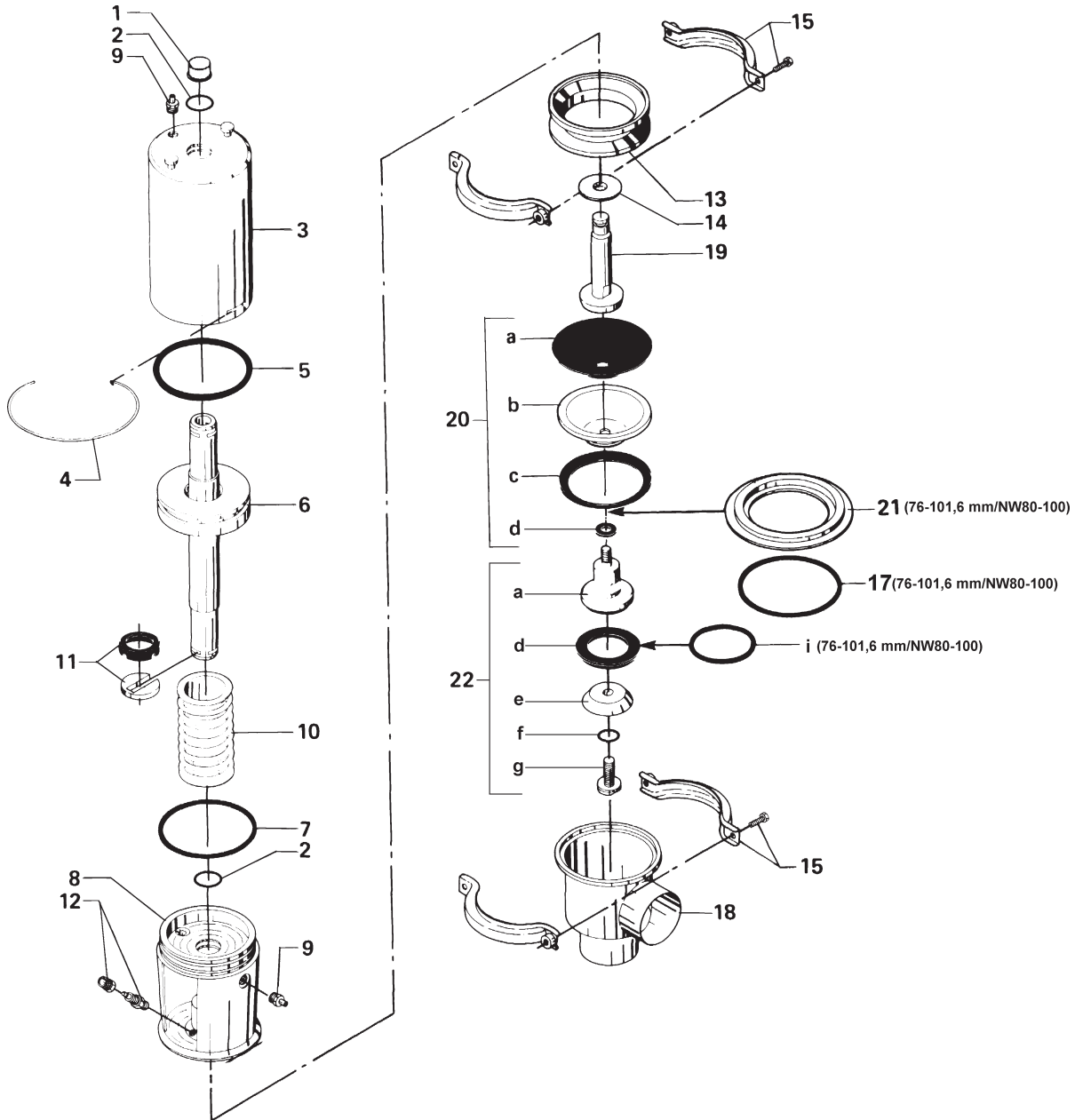
18	1	Valve body, 2 ports, ISO	31353-0375-1	31353-0376-1	31353-0380-1	31353-0381-1		31353-0026-1
	1	Valve body, 2 ports, DIN	9612-0940-01	9612-0941-01	9612-0942-01		9612-0943-01	9612-0944-01
	1	Valve body, 3 ports, ISO	31353-0375-6	31353-0376-6	31353-0380-6	31353-0381-6		31353-0026-6
	1	Valve body, 3 ports, DIN	9612-0940-02	9612-0941-02	9612-0942-02		9612-0943-02	9612-0944-02

Recommended spare parts: **Service kits.**

Aseptic Remote Controlled Valve Type ARC - Stop Valve

(Same drawing as on page 2)

4



Aseptic Remote Controlled Valve Type ARC - Stop Valve

Pos.	Qty.	Denomination	DN40 38 mm	DN50 51 mm	DN65 63.5 mm	76 mm	DN80	DN 100 101.6 mm
Valve Plug								
14	1	Washer (Period 9911-)	31353-0821-3	31353-0821-3	31353-0821-3	31353-0821-2	31353-0821-2	31353-0821-2
	1	Washer (Period 8605-9910) .	31353-0821-1	31353-0821-1	31353-0821-1	31353-0821-2	31353-0821-2	31353-0821-2
17Δ	1	Seal ring, EPDM (standard) ...				31353-0205-1	31353-0205-1	31353-0205-1
	1	Seal ring, NBR				31353-0205-2	31353-0205-2	31353-0205-2
	1	Seal ring, FPM				31353-0205-3	31353-0205-3	31353-0205-3
19	1	Stem, upper	31353-0809-1	31353-0809-1	31353-0809-1	31353-0839-1	31353-0839-1	31353-0839-1
20Δ	1	Diaphragm set PTFE, EPDM (complete replacement recom- mended)	9611-92-0001	9611-92-0001	9611-92-0001	9611-92-0007	9611-92-0007	9611-92-0007
	1	Diaphragm set NBR	9611-92-0081	9611-92-0081	9611-92-0081	9611-92-0083	9611-92-0083	9611-92-0083
	1	Diaphragm set FPM	9611-92-0082	9611-92-0082	9611-92-0082	9611-92-0084	9611-92-0084	9611-92-0084
20a	1	Diaphragm support, EPDM	31353-0816-1	31353-0816-1	31353-0816-1	31353-0816-2	31353-0816-2	31353-0816-2
20b	1	Diaphragm PTFE	31353-0820-1	31353-0820-1	31353-0820-1	31353-0820-2	31353-0820-2	31353-0820-2
20c	1	L-seal, EPDM (standard)	31353-0817-1	31353-0817-1	31353-0817-1	31353-0817-1	31353-0817-1	31353-0817-1
	1	L-seal, NBR	31353-0817-2	31353-0817-2	31353-0817-2	31353-0817-2	31353-0817-2	31353-0817-2
	1	L-seal, FPM	31353-0817-3	31353-0817-3	31353-0817-3	31353-0817-3	31353-0817-3	31353-0817-3
20d	1	Stem seal, EPDM (standard) ..	31353-0818-1	31353-0818-1	31353-0818-1	31353-0818-2	31353-0818-2	31353-0818-2
	1	Stem seal, NBR	31353-0818-3	31353-0818-3	31353-0818-3	31353-0818-4	31353-0818-4	31353-0818-4
	1	Stem seal, FPM	31353-0818-5	31353-0818-5	31353-0818-5	31353-0818-6	31353-0818-6	31353-0818-6
21	1	Diaphragm ring				31353-0841-1	31353-0841-1	31353-0841-1
Valve plug								
22		Plug, single, complete EPDM .. (standard)	31353-0823-1	31353-0823-2	31353-0823-3	31353-0848-1	31353-0848-5	31353-0848-2
		Plug, single, complete NBR	9612-3094-01	9612-3094-02	9612-3094-03	9612-3092-01	9612-3092-05	9612-3092-02
		Plug, single, complete FPM	9612-3094-07	9612-3094-08	9612-3094-09	9612-3092-06	9612-3092-10	9612-3092-07
a	1	Stem, lower	31353-0811-1	31353-0812-1	31353-0815-1	31353-0843-1	9612-1887-01	31353-0846-1
dΔ	1	Seal, EPDM (standard)	31353-0320-1	31353-0321-1	31353-0322-1			
	1	Seal, NBR	31353-0320-2	31353-0321-2	31353-0322-2			
	1	Seal, FPM	31353-0320-3	31353-0321-3	31353-0322-3			
e	1	Washer	31353-0357-1	31353-0358-1	31353-0359-1	31353-0845-1	31353-0845-5	31353-0845-2
fΔ	1	O-ring, EPDM (standard)	990034-01	990034-01	990034-01	990034-01	990034-01	990034-01
	1	O-ring, NBR	223404-21	223404-21	223404-21	223404-21	223404-21	223404-21
	1	O-ring, FPM	223404-35	223404-35	223404-35	223404-35	223404-35	223404-35
g	1	Screw	31353-0362-1	31353-0362-1	31353-0362-1	31353-0362-1	31353-0362-1	31353-0362-1
iΔ	1	O-ring, EPDM (standard)				9611-99-0544	9611-99-1285	9611-99-1491
	1	O-ring, NBR				9611-99-0029	9611-99-1154	9611-99-2549
	1	O-ring, FPM				9611-99-1345	9611-99-1346	9611-99-2550
Δ		Service kit, EPDM	9611-92-0040	9611-92-0041	9611-92-0042	9611-92-0043	9611-92-0113	9611-92-0044
Δ		Service kit, NBR	9611-92-0085	9611-92-0087	9611-92-0089	9611-92-0091	9611-92-0114	9611-92-0093
Δ		Service kit, FPM	9611-92-0086	9611-92-0088	9611-92-0090	9611-92-0092	9611-92-0115	9611-92-0094

Parts marked with Δ are included in the **service kits**.

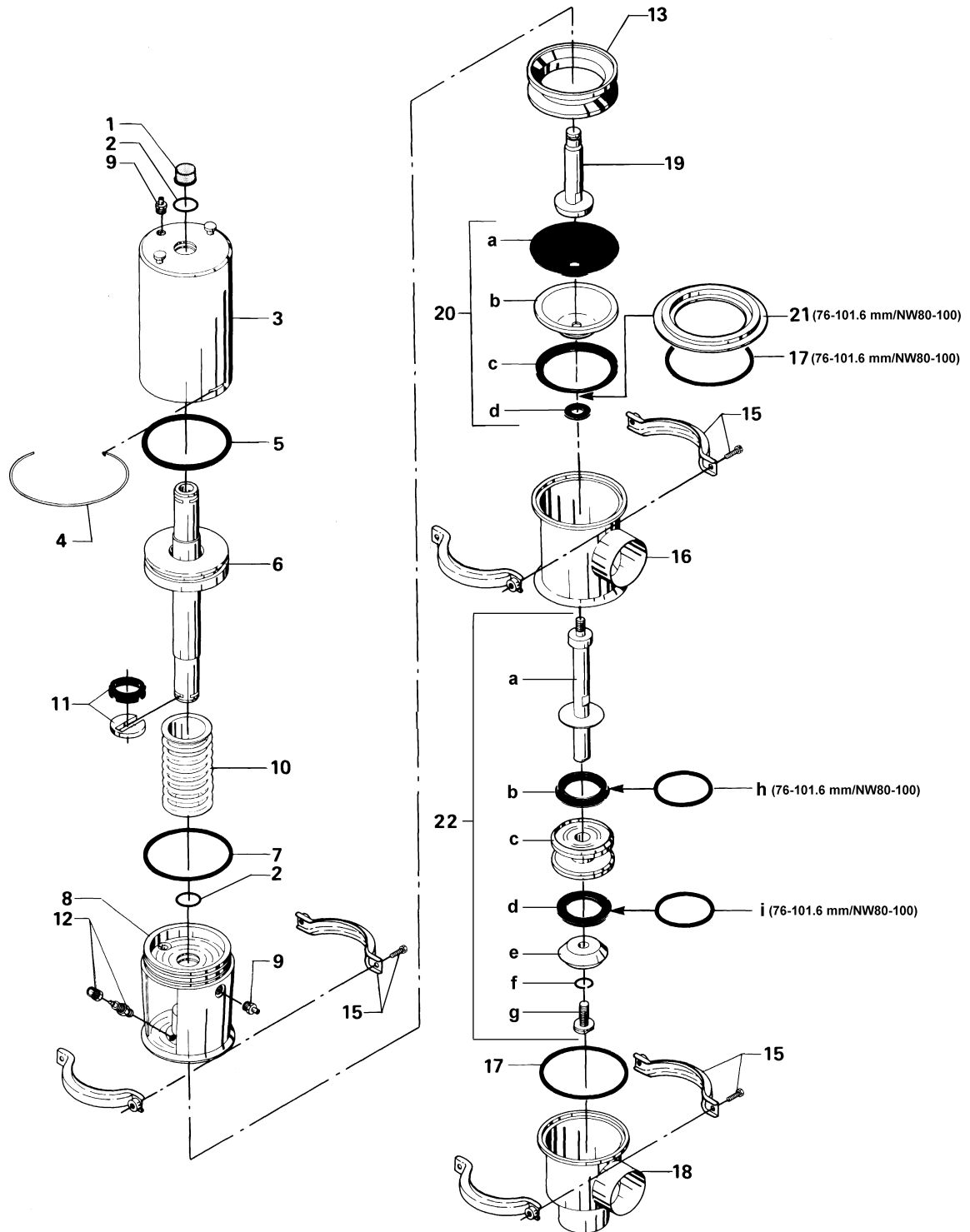
Rebuilding set, EPDM, SRC-A to ARC

38 mm	51 mm	63.5 mm	76 mm	101.6 mm
31353-0833-1	31353-0833-2	31353-0833-3	31353-0836-1	31353-0836-2

The rebuilding set contains Pos. 13, 14, 15a+c, 19, 20, 22a, 22d, 22f

Aseptic Remote Controlled Valve Type ARC - Change-over Valve

6



Aseptic Remote Controlled Valve Type ARC - Change-over Valve

ACTUATOR

		DN40	DN50	DN65	76 mm	DN80	DN100
Pos.	Qty. Denomination	38 mm	51 mm	63.5 mm	76 mm	DN80	DN100 101.6 mm
	Actuator -1, complete	31353-0206-4	31353-0206-4	31353-0206-4	31353-0214-4	31353-0214-4	31353-0214-4
	Actuator -2, complete	31353-0206-6	31353-0206-6	31353-0206-6	31353-0214-6	31353-0214-6	31353-0214-6
	Actuator -3, complete	31353-0206-7	31353-0206-7	31353-0206-7	31353-0214-7	31353-0214-7	31353-0214-7
1	1 Cap	31801-0525-6	31801-0525-6	31801-0525-6	31801-0525-5	31801-0525-5	31801-0525-5
2Δ	2 O-ring	223406-25	223406-25	223406-25	223406-49	223406-49	223406-49
3	1 Cylinder	31353-0139-1	31353-0139-1	31353-0139-1	31353-0185-1	31353-0185-1	31353-0185-1
4Δ	1 Lock wire	31353-0151-1	31353-0151-1	31353-0151-1	31353-0189-1	31353-0189-1	31353-0189-1
5Δ	1 O-ring	223401-74	223401-74	223401-74	223401-75	223401-75	223401-75
6	1 Piston -1, -2	31353-0621-1	31353-0621-1	31353-0621-1	31353-0619-1	31353-0619-1	31353-0619-1
	1 Piston -3	31353-0621-2	31353-0621-2	31353-0621-2	31353-0619-2	31353-0619-2	31353-0619-2
7Δ	1 O-ring	9611-99-0396	9611-99-0396	9611-99-0396	223406-17	223406-17	223406-17
8	1 Bonnet	31353-0133-2	31353-0133-2	31353-0133-2	31353-0190-2	31353-0190-2	31353-0190-2
9*	2 Plug	31353-0154-1	31353-0154-1	31353-0154-1	31353-0154-1	31353-0154-1	31353-0154-1
10a*	1 Spring assembly (Black)	31353-0625-1	31353-0625-1	31353-0625-1	31353-0622-1	31353-0622-1	31353-0622-1
10b*	1 Spring assembly with extra strong spring (White)	31353-0625-2	31353-0625-2	31353-0625-2	31353-0622-2	31353-0622-2	31353-0622-2
11Δ	1 Clip, complete	31353-0793-1	31353-0793-1	31353-0793-1	31353-0793-2	31353-0793-2	31353-0793-2
12	1 Drain tube	31801-1444-1	31801-1444-1	31801-1444-1	31801-1444-1	31801-1444-1	31801-1444-1
Δ	Service kit	9611-92-0008	9611-92-0008	9611-92-0008	9611-92-0009	9611-92-0009	9611-92-0009

* Only for actuators -1 and -2.

Valve Body Part

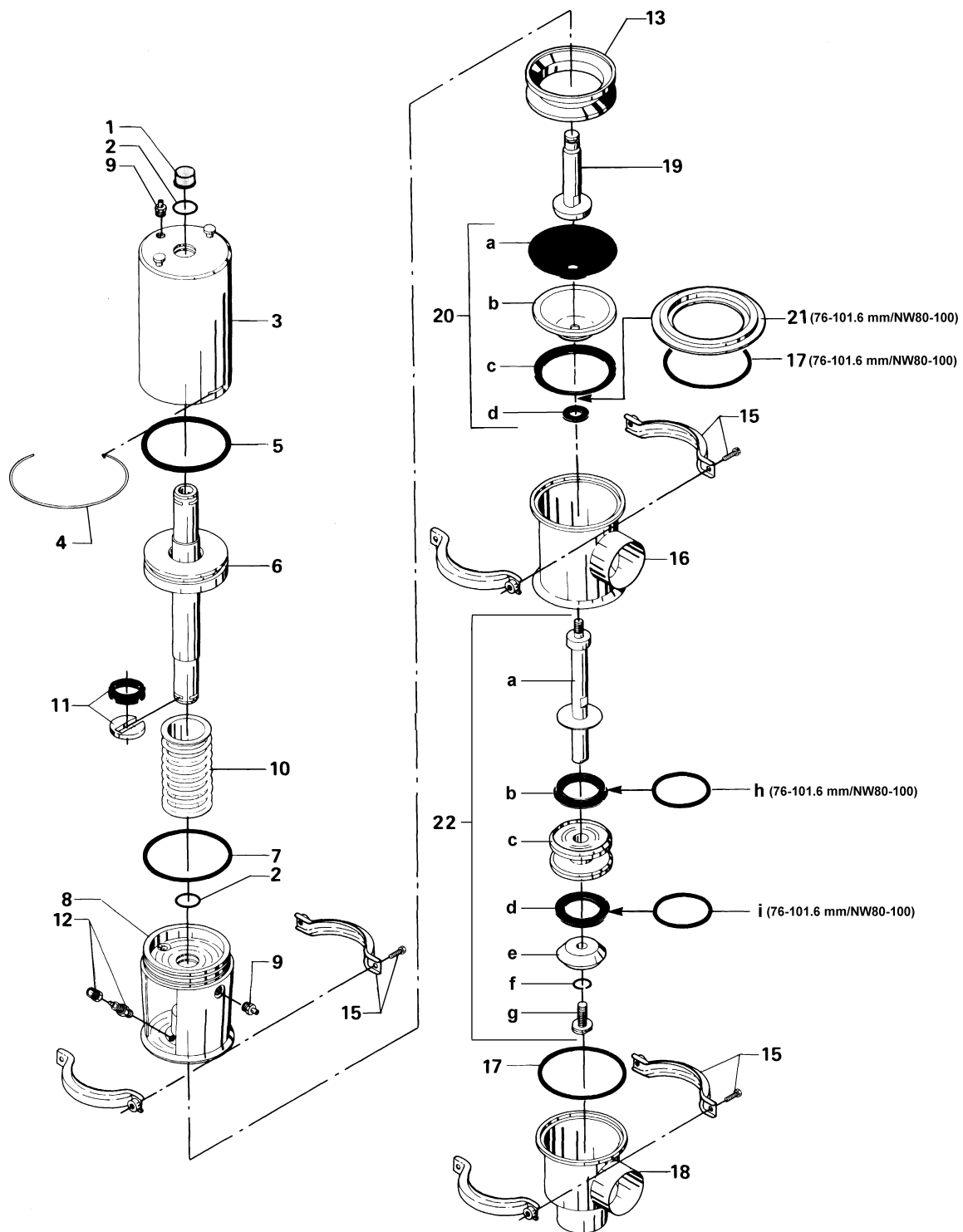
		DN40	DN50	DN65	76 mm	DN80	DN100
Pos.	Qty. Denomination	38 mm	51 mm	63.5 mm	76 mm	DN80	DN100 101.6 mm
13	1 Intermediate piece	31353-0813-1	31353-0813-1	31353-0813-1	31353-0840-1	31353-0840-1	31353-0840-1
Clamp							
15	3 Clamp and screws (Period 9209-)	31320-0027-3	31320-0027-3	31320-0027-3	31320-0027-5	31320-0027-5	31320-0027-5
15a	6 Clamp half (Period -9209)	31320-0022-1	31320-0022-1	31320-0022-1	31320-0021-1	31320-0021-1	31320-0021-1
15b	4 Screw (Period -9209)	2210936-18	2210936-18	2210936-18	2210936-18	2210936-18	2210936-18
15c	2 Screw (Period -9209)	2210936-19	2210936-19	2210936-19	2210936-19	2210936-19	2210936-19
Valve Body							
16	1 Valve body, upper, 1 port, ISO	31353-0053-1	31353-0054-1	31353-0055-1	31353-0056-1		31353-0058-1
	1 Valve body, upper, 1 port, DN	9612-0945-01	9612-0946-01	9612-0947-01		9612-0948-01	9612-0949-01
	1 Valve body, upper, 2 ports, ISO	31353-0053-6	31353-0054-6	31353-0055-6	31353-0056-6		31353-0058-6
	1 Valve body, upper, 2 ports, DN	9612-0945-02	9612-0946-02	9612-0947-02		9612-0948-02	9612-0949-02
17Δ	1 Seal ring, EPDM (standard)	31353-0128-1	31353-0128-1	31353-0128-1			
	1 Seal ring, NBR	31353-0128-2	31353-0128-2	31353-0128-2			
	1 Seal ring, FPM	31353-0128-3	31353-0128-3	31353-0128-3			
	2 Seal ring, EPDM (standard)				31353-0205-1	31353-0205-1	31353-0205-1
	2 Seal ring, NBR				31353-0205-2	31353-0205-2	31353-0205-2
	2 Seal ring, FPM				31353-0205-3	31353-0205-3	31353-0205-3
18	1 Valve body, lower, 2 ports, ISO	31353-0375-1	31353-0376-1	31353-0380-1	31353-0381-1		31353-0026-1
	1 Valve body, lower, 2 ports, DN	9612-0940-01	9612-0941-01	9612-0942-01		9612-0943-01	9612-0944-01
	1 Valve body, lower, 3 ports, ISO	31353-0375-6	31353-0376-6	31353-0380-6	31353-0381-6		31353-0026-6
	1 Valve body, lower, 3 ports, DN	9612-0940-02	9612-0941-02	9612-0942-02		9612-0943-02	9612-0944-02
19	1 Stem, upper	31353-0809-1	31353-0809-1	31353-0809-1	31353-0839-1	31353-0839-1	31353-0839-1
20Δ	1 Diaphragm set PTFE, EPDM (complete replacement recommended)	9611-92-0001	9611-92-0001	9611-92-0001	9611-92-0007	9611-92-0007	9611-92-0007
	1 Diaphragm set NBR	9611-92-0081	9611-92-0081	9611-92-0081	9611-92-0083	9611-92-0083	9611-92-0083
	1 Diaphragm set FPM	9611-92-0082	9611-92-0082	9611-92-0082	9611-92-0084	9611-92-0084	9611-92-0084
20a	1 Diaphragm support, EPDM	31353-0816-1	31353-0816-1	31353-0816-1	31353-0816-2	31353-0816-2	31353-0816-2
20b	1 Diaphragm for PTFE	31353-0820-1	31353-0820-1	31353-0820-1	31353-0820-2	31353-0820-2	31353-0820-2
20c	1 L-seal, EPDM (standard)	31353-0817-1	31353-0817-1	31353-0817-1	31353-0817-1	31353-0817-1	31353-0817-1
	1 L-seal, NBR	31353-0817-2	31353-0817-2	31353-0817-2	31353-0817-2	31353-0817-2	31353-0817-2
	1 L-seal, FPM	31353-0817-3	31353-0817-3	31353-0817-3	31353-0817-3	31353-0817-3	31353-0817-3
20d	1 Stem seal, EPDM (standard)	31353-0818-1	31353-0818-1	31353-0818-1	31353-0818-2	31353-0818-2	31353-0818-2
	1 Stem seal, NBR	31353-0818-3	31353-0818-3	31353-0818-3	31353-0818-4	31353-0818-4	31353-0818-4
	1 Stem seal, FPM	31353-0818-5	31353-0818-5	31353-0818-5	31353-0818-6	31353-0818-6	31353-0818-6
21	1 Diaphragm ring				31353-0841-1	31353-0841-1	31353-0841-1

Recommended spare parts: **Service kits.**

Aseptic Remote Controlled Valve Type ARC - Change-over Valve

(Same drawing as on page 6)

8



Aseptic Remote Controlled Valve Type ARC - Change-over Valve

Pos.	Qty.	Denomination	DN40	DN50	DN65	76 mm	DN80	DN100
			38 mm	51 mm	63.5 mm			101.6 mm
Valve Plug								
22		Plug, double, complete EPDM (Period 9911-) (standard)	9612-5400-01	9612-5400-04	31353-0824-3	31353-0856-1	31353-0856-5	31353-0856-2
		Plug, double, complete EPDM (Period 8605-9910) (standard)	31353-0824-1	31353-0824-2	31353-0824-3	31353-0856-1	31353-0856-5	31353-0856-2
		Plug, double, complete NBR (Period 9911-)	9612-5400-02	9612-5400-05	9612-3093-03	9612-3091-01	9612-3091-05	9612-3091-02
		Plug, double, complete NBR (Period 8605-9910)	9612-3093-01	9612-3093-02	9612-3093-03	9612-3091-01	9612-3091-05	9612-3091-02
		Plug, double, complete FPM (Period 9911-)	9612-5400-03	9612-5400-06	9612-3093-09	9612-3091-06	9612-3091-10	9612-3091-07
		Plug, double, complete FPM (Period 8605-9910)	9612-3093-07	9612-3093-08	9612-3093-09	9612-3091-06	9612-3091-10	9612-3091-07
a	1	Stem, lower (Period 9911-)	31353-0810-3	31353-0810-4	31353-0814-1	31353-0850-1	31353-0850-5	31353-0810-2
	1	Stem, lower (Period 8605-9910)	31353-0810-1	31353-0810-2	31353-0814-1	31353-0850-1	31353-0850-5	31353-0810-2
b Δ	1	Seal, EPDM (standard)	31353-0321-1	31353-0321-1	31353-0323-1			
	1	Seal, NBR	31353-0321-2	31353-0321-2	31353-0323-2			
	1	Seal, FPM	31353-0321-3	31353-0321-3	31353-0323-3			
c	1	Middle piece (Period 9911-)	9612-4972-01	9612-4973-01	31353-0365-1	31353-0854-1	9612-1888-01	31353-0855-1
c	1	Middle piece (Period 8605-9910)	31353-0363-1	31353-0364-1	31353-0365-1	31353-0854-1	9612-1888-01	31353-0855-1
d Δ	1	Seal, EPDM (standard)	31353-0320-1	31353-0321-1	31353-0322-1			
	1	Seal, NBR	31353-0320-2	31353-0321-2	31353-0322-2			
	1	Seal, FPM	31353-0320-3	31353-0321-3	31353-0322-3			
e	1	Washer	31353-0357-1	31353-0358-1	31353-0359-1	31353-0845-1	31353-0845-5	31353-0845-2
f Δ	1	O-ring, EPDM	990034-01	990034-01	990034-01	990034-01	990034-01	990034-01
	1	O-ring, NBR	223404-21	223404-21	223404-21	223404-21	223404-21	223404-21
	1	O-ring, FPM	223404-35	223404-35	223404-35	223404-35	223404-35	223404-35
g	1	Screw	31353-0362-1	31353-0362-1	31353-0362-1	31353-0362-1	31353-0362-1	31353-0362-1
h Δ	1	O-ring EPDM (standard)				9611-99-0544	9611-99-0544	9611-99-1491
	1	O-ring NBR				9611-99-0029	9611-99-0029	9611-99-2549
	1	O-ring FPM				9611-99-1345	9611-99-1345	9611-99-2550
i	1	O-ring, EPDM (standard)				9611-99-0544	9611-99-1285	9611-99-1491
	1	O-ring, NBR				9611-99-0029	9611-99-1154	9611-99-2549
	1	O-ring, FPM				9611-99-1345	9611-99-1346	9611-99-2550
Δ		Service kit EPDM	9611-92-0045	9611-92-0046	9611-92-0047	9611-92-0048	9611-92-0116	9611-92-0049
Δ		Service kit NBR	9611-92-0095	9611-92-0097	9611-92-0099	9611-92-0101	9611-92-0117	9611-92-0103
Δ		Service kit FPM	9611-92-0096	9611-92-0098	9611-92-0100	9611-92-0102	9611-92-0120	9611-92-0104

Parts marked with Δ are included in the service kits.

Rebuilding set EPDM, SRC-A to ARC

38 mm	51 mm	63,5 mm	76 mm	101,6 mm
31353-0834-1	31353-0834-2	31353-0834-3	31353-0835-1	31353-0835-2

The rebuilding set contains Pos. 13, 15a+c, 19, 20, 22a, 22b, 22d, 22f

The information contained herein is correct at the time of issue but may be subject to change without prior notice.