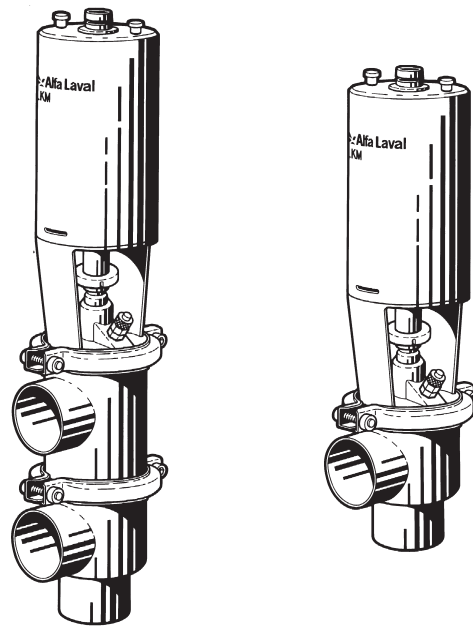


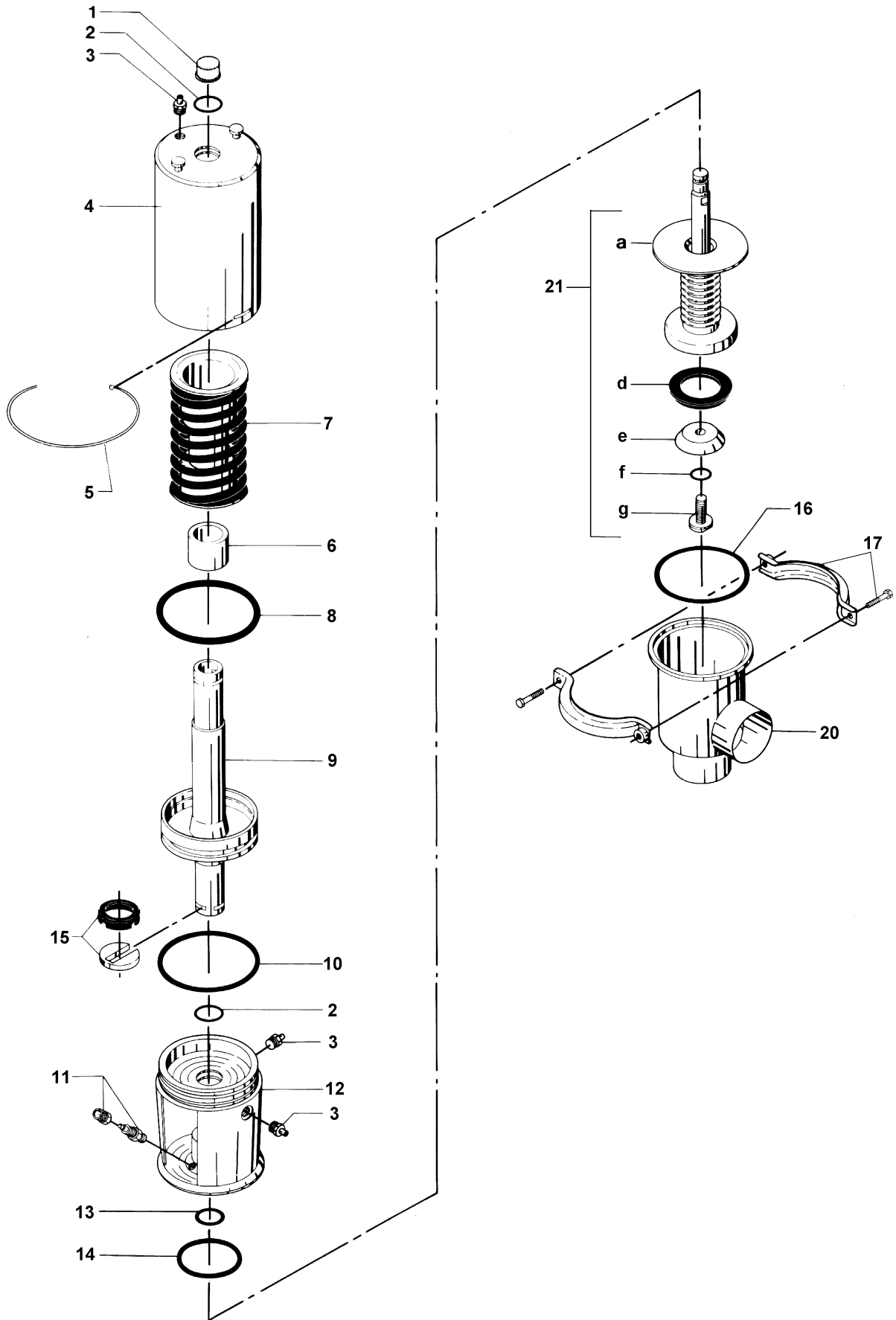
Spare Parts

ARC-SB Aseptic Remote-Controlled Valve with Steel Bellows



Aseptic Remote-Controlled Valve with Steel Bellows Type ARC-SB - Stop Valve

2



Aseptic Remote-Controlled Valve with Steel Bellows Type ARC-SB - Stop Valve

Actuator					
Pos.	Qty.	Denomination	DN 40	DN 50	DN 65
			38 mm	51 mm	63.5 mm
		Actuator -1, complete	9612-1883-01	9612-1883-01	9612-1883-01
		Actuator -2, complete	9612-1883-02	9612-1883-02	9612-1883-02
		Actuator -3, complete	9612-1883-03	9612-1883-03	9612-1883-03
1	1	Cap	31801-0525-6	31801-0525-6	31801-0525-6
2Δ	2	O-ring, NBR	223406-25	223406-25	223406-25
3	2	Deair screw (Plug)	31353-0154-1	31353-0154-1	31353-0154-1
4	1	Cylinder	31353-0139-1	31353-0139-1	31353-0139-1
5Δ	1	Lock wire	31353-0151-1	31353-0151-1	31353-0151-1
6	1	Stop ring	9612-1878-01	9612-1878-01	9612-1878-01
7	1	Spring assembly (standard black)	31353-0625-1	31353-0625-1	31353-0625-1
	1	Spring assembly with strong spring (white) ..	31353-0625-2	31353-0625-2	31353-0625-2
8Δ	1	O-ring, NBR	223401-74	223401-74	223401-74
9	1	Piston for NO and NC	31353-0621-1	31353-0621-1	31353-0621-1
	1	Piston for Air/Air	31353-0621-2	31353-0621-2	31353-0621-2
10Δ	1	O-ring, NBR	223406-67	223406-67	223406-67
11	1	Drain tube	31801-1444-1	31801-1444-1	31801-1444-1
12	1	Bonnet	9612-1881-01	9612-1881-01	9612-1881-01
13Δ	1	O-ring	9611-99-0011	9611-99-0011	9611-99-0011
14Δ	1	O-ring	9611-99-2620	9611-99-2620	9611-99-2620
15Δ	1	Clip complete	31353-0793-1	31353-0793-1	31353-0793-1
Δ		Service kit for actuator	9611-92-0255	9611-92-0255	9611-92-0255

Parts marked with Δ are included in the service kit.

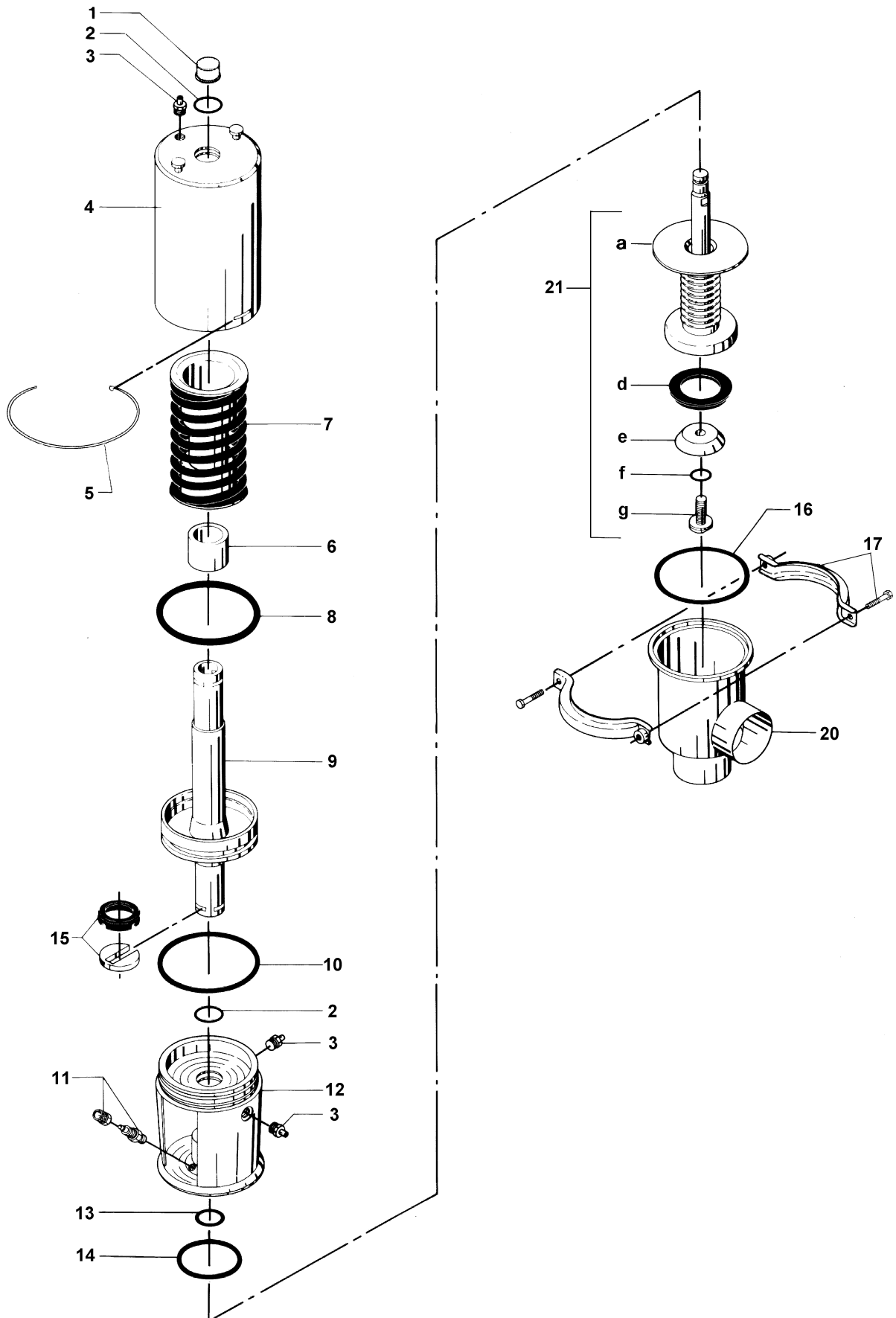
Valve body part					
Pos.	Qty.	Denomination	DN 40	DN 50	DN 65
			38 mm	51 mm	63.5 mm
Seal rings					
16○	1	Seal ring, EPDM (Standard)	31353-0128-1	31353-0128-1	31353-0128-1
	1	Seal ring, NBR	31353-0128-2	31353-0128-2	31353-0128-2
	1	Seal ring, FPM	31353-0128-3	31353-0128-3	31353-0128-3
	1	Seal ring, PTFE	31353-0128-4	31353-0128-4	31353-0128-4
Clamp					
17	1	Clamp complete	31320-0027-1	31320-0027-1	31320-0027-1
Valve body					
20	1	Valve body, 2 ports ISO	9612-1830-01	9612-1833-01	31353-0380-1
	1	Valve body, 2 ports DIN	9612-1975-01	9612-1976-01	9612-0942-01
	1	Valve body, 3 ports ISO	9612-1830-02	9612-1833-02	31353-0380-6
	1	Valve body, 3 ports DIN	9612-1975-02	9612-1976-02	9612-0942-02

Recommended spare parts: **Service kits.**

Aseptic Remote-Controlled Valve with Steel Bellows Type ARC-SB - Stop Valve

(Same drawing as on page 2)

4



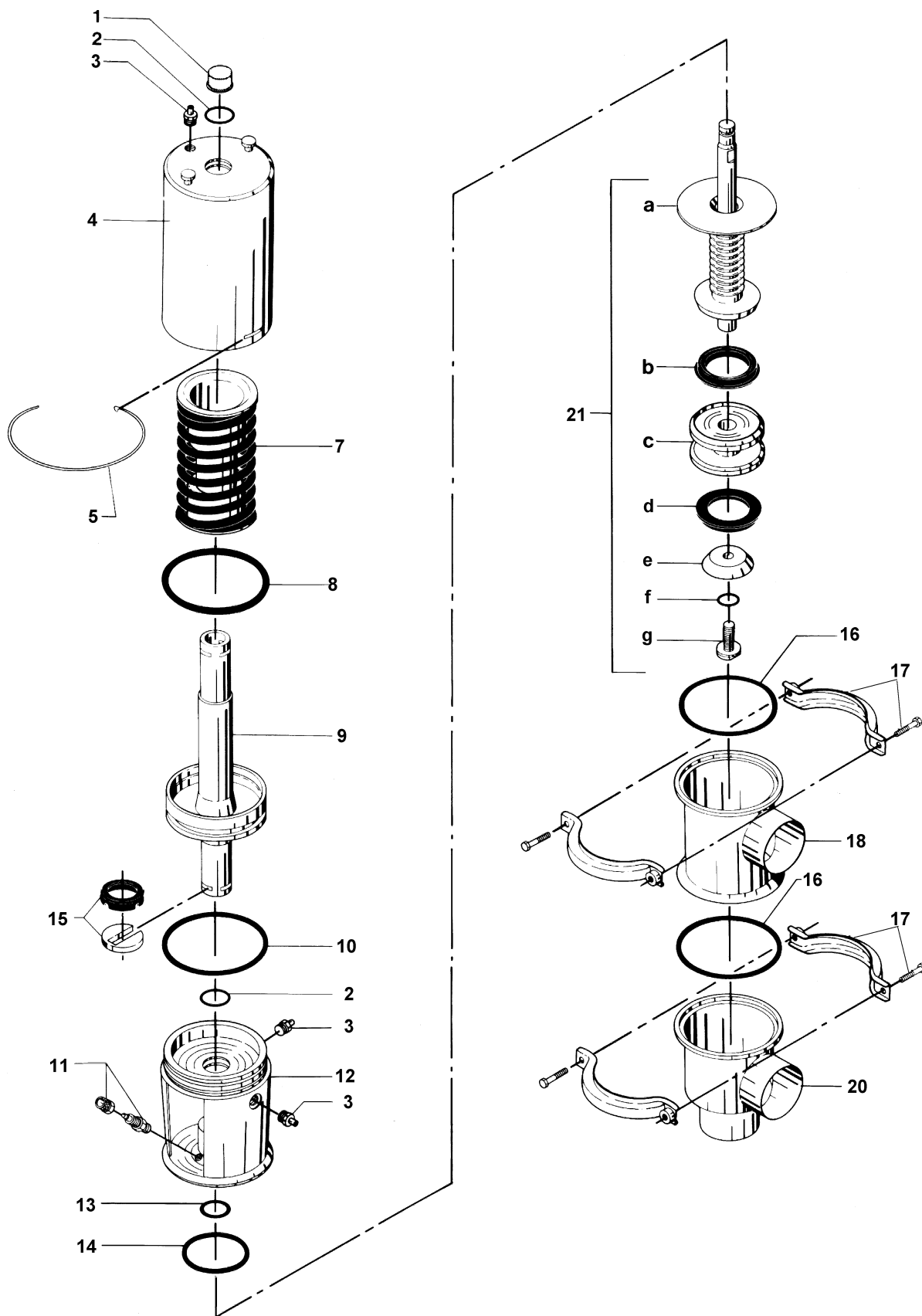
Aseptic Remote-Controlled Valve with Steel Bellows Type ARC-SB - Stop Valve

Pos.	Qty.	Denomination	DN 40 38 mm	DN 50 51 mm	DN 65 63.5 mm
Valve plug					
21	1	Plug, complete EPDM (Standard) (Period 9911-)	9612-5853-04	9612-5853-05	9612-5853-06
	1	Plug, complete NBR (Period 9911-)	9612-5853-10	9612-5853-11	9612-5853-12
	1	Plug, complete FPM (Period 9911-)	9612-5853-16	9612-5853-17	9612-5853-18
	1	Plug, complete PTFE (Period 9911-)	9612-5853-22	9612-5853-23	9612-5853-24
	1	Plug single, complete EPDM (Period 9512-9910)	9612-4209-01	9612-4209-02	9612-4209-03
	1	Plug single, complete NBR (Period 9512-9910)	9612-4209-07	9612-4209-08	9612-4209-09
	1	Plug single, complete FPM (Period 9512-9910)	9612-4209-13	9612-4209-14	9612-4209-15
	1	Plug single, complete PTFE (Period 9512-9910)	9612-4209-19	9612-4209-20	9612-4209-21
	1	Plug double, complete EPDM (Period 9512-9910)	9612-4209-04	9612-4209-05	9612-4209-06
	1	Plug double, complete NBR (Period 9512-9910)	9612-4209-10	9612-4209-11	9612-4209-12
	1	Plug double, complete FPM (Period 9512-9910)	9612-4209-16	9612-4209-17	9612-4209-18
	1	Plug double, complete PTFE (Period 9512-9910)	9612-4209-22	9612-4209-23	9612-4209-24
a	1	Stem, single (Period 9911-)	9612-5852-04	9612-5852-05	9612-5852-06
	1	Stem, single (Period 9512-9910)	9612-4208-01	9612-4208-02	9612-4208-03
	1	Stem, double (Period 9512-9910)	9612-4208-04	9612-4208-05	9612-4208-06
d ○	1	Seal ring, EPDM (Standard)	31353-0320-1	31353-0321-1	31353-0322-1
	1	Seal ring, NBR	31353-0320-2	31353-0321-2	31353-0322-2
	1	Seal ring, FPM	31353-0320-3	31353-0321-3	31353-0322-3
	1	Seal ring, PTFE	31353-1211-1	31353-1212-1	31353-1213-1
e	1	Washer	31353-0357-1	31353-0358-1	31353-0359-1
f ○	1	O-ring, EPDM (Standard)	990034-01	990034-01	990034-01
	1	O-ring, NBR	223404-21	223404-21	223404-21
	1	O-ring, FPM	223404-35	223404-35	223404-35
	1	O-ring, PTFE	9612-4330-01	9612-4230-01	9612-4330-01
g	1	Screw	31353-0362-1	31353-0362-1	31353-0362-1
		Service kit EPDM	9611-92-0322	9611-92-0326	9611-92-0330
		Service kit NBR	9611-92-0323	9611-92-0327	9611-92-0331
		Service kit FPM	9611-92-0324	9611-92-0328	9611-92-0332
		Service kit PTFE	9611-92-0325	9611-92-0329	9611-92-0333

Parts marked with ○ are included in the service kit.

Aseptic Remote-Controlled Valve with Steel Bellows Type ARC-SB - Change-over Valve

6



Aseptic Remote-Controlled Valve with Steel Bellows Type ARC-SB - Change-over Valve

Actuator

Pos.	Qty.	Denomination	DN 40 38 mm	DN 50 51 mm	DN 65 63.5 mm
		Actuator -1, complete	9612-1884-01	9612-1884-01	9612-1884-01
		Actuator -2, complete	9612-1884-02	9612-1884-02	9612-1884-02
		Actuator -3, complete	9612-1884-03	9612-1884-03	9612-1884-03
1	1	Cap	31801-0525-6	31801-0525-6	31801-0525-6
2Δ	2	O-ring, NBR	223406-25	223406-25	223406-25
3	2	Deair screw (plug)	31353-0154-1	31353-0154-1	31353-0154-1
4	1	Cylinder	31353-0139-1	31353-0139-1	31353-0139-1
5Δ	1	Lock wire	31353-0151-1	31353-0151-1	31353-0139-1
7	1	Spring assembly (standard black)	31353-0625-1	31353-0625-1	31353-0625-1
	1	Spring assembly with strong spring (white) ..	31353-0625-2	31353-0625-2	31353-0625-2
8Δ	1	O-ring, NBR	223401-74	223401-74	223401-74
9	1	Piston for NO and NC	31353-0621-1	31353-0621-1	31353-0621-1
	1	Piston for Air/Air	31353-0621-2	31353-0621-2	31353-0621-2
10Δ	1	O-ring, NBR	223406-67	223406-67	223406-67
11	1	Drain tube	31801-1444-1	31801-1444-1	31801-1444-1
12	1	Bonnet	9612-1881-01	9612-1881-01	9612-1881-01
13Δ	1	O-ring	9611-99-0011	9611-99-0011	9611-99-0011
14Δ	1	O-ring	9611-99-2620	9611-99-2620	9611-99-2620
15Δ	1	Clip complete	31353-0793-1	31353-0793-1	31353-0793-1
Δ		Service kit for actuator	9611-92-0255	9611-92-0255	9611-92-0255

Parts marked with Δ are included in the service kit.

Valve body part

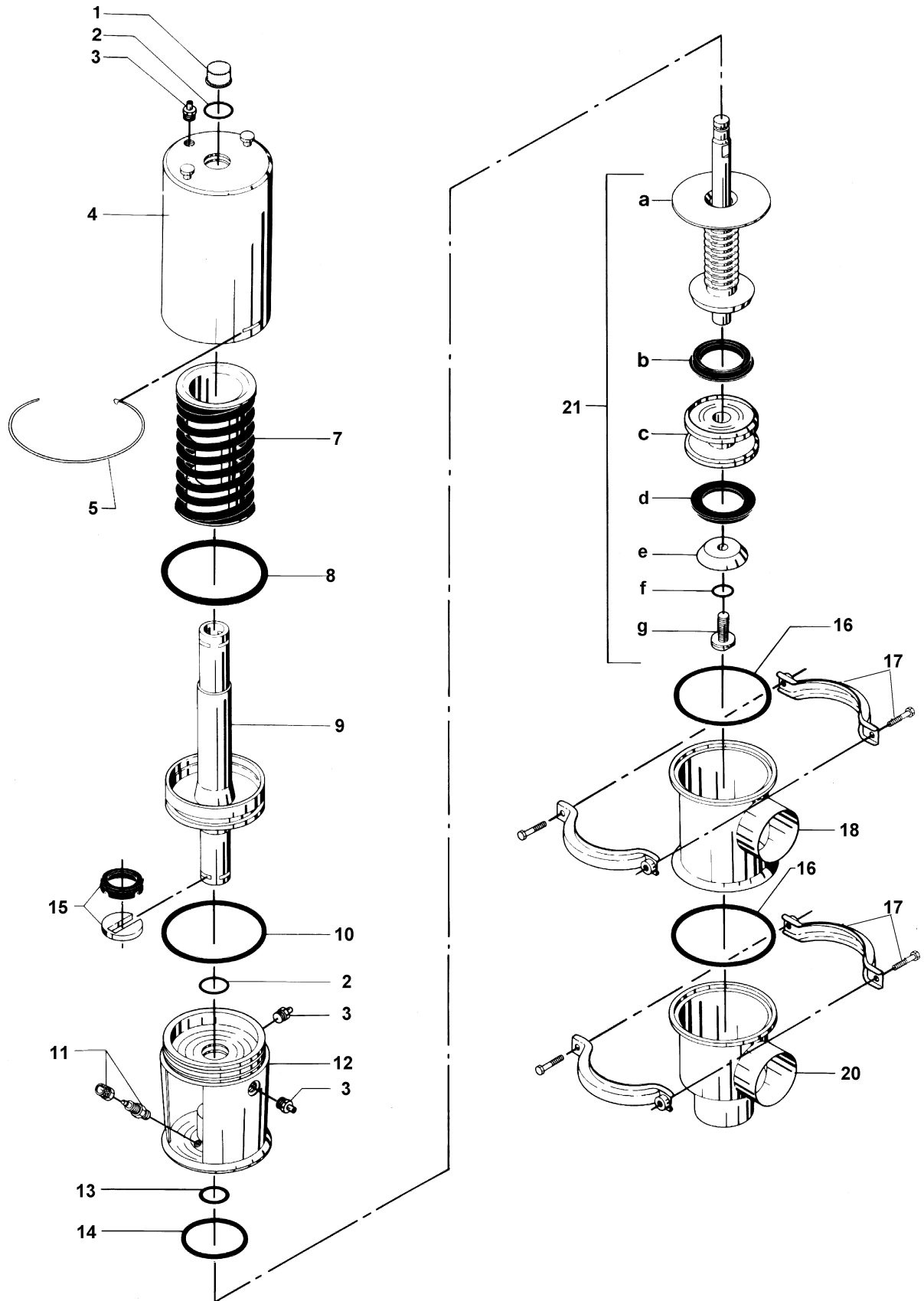
Pos.	Qty.	Denomination	DN 40 38 mm	DN 50 51 mm	DN 65 63.5 mm
Seal rings					
16○	2	Seal ring, EPDM (Standard)	31353-0128-1	31353-0128-1	31353-0128-1
	2	Seal ring, NBR	31353-0128-2	31353-0128-2	31353-0128-2
	2	Seal ring, FPM	31353-0128-3	31353-0128-3	31353-0128-3
	2	Seal ring, PTFE	31353-0128-4	31353-0128-4	31353-0128-4
Clamp					
17	2	Clamp complete	31320-0027-1	31320-0027-1	31320-0027-1
Valve body					
18	1	Upper valve body, 1 port ISO	31353-0053-1	31353-0054-1	31353-0055-1
	1	Upper valve body, 1 port DIN	9612-0945-01	9612-0946-01	9612-0947-01
	1	Upper valve body, 2 ports ISO	31353-0053-6	31353-0054-6	31353-0055-6
	1	Upper valve body, 2 ports DIN	9612-0945-02	9612-0946-02	9612-0947-02
20	1	Lower valve body, 2 ports ISO	31353-0375-1	31353-0376-1	31353-0380-1
	1	Lower valve body, 2 ports DIN	9612-0940-01	9612-0941-01	9612-0942-01
	1	Lower valve body, 3 ports ISO	31353-0375-6	31353-0376-6	31353-0380-6
	1	Lower valve body, 3 ports, DIN	9612-0940-02	9612-0941-02	9612-0942-02

Recommended spare parts: **Service kits.**

Aseptic Remote-Controlled Valve with Steel Bellows Type ARC-SB - Change-over Valve

(Same drawing as on page 6)

8



Aseptic Remote-Controlled Valve with Steel Bellows Type ARC-SB - Change-over Valve

Pos.	Qty.	Denomination	DN 40 38 mm	DN 50 51 mm	DN 65 63.5 mm
Valve plug					
21	1	Plug, complete EPDM (Standard) (Period 9911-)	9612-5855-04	9612-5855-05	9612-5855-06
	1	Plug, complete NBR (Period 9911-)	9612-5855-10	9612-5855-11	9612-5855-12
	1	Plug, complete FPM (Period 9911-)	9612-5855-16	9612-5855-17	9612-5855-18
	1	Plug, complete PTFE (Period 9911-)	9612-5855-22	9612-5855-23	9612-5855-24
	1	Plug single, complete EPDM (Standard)	9612-4207-01	9612-4207-02	9612-4207-03
		(Period 9512-9910)			
	1	Plug single, complete NBR (Period 9512-9910)	9612-4207-07	9612-4207-08	9612-4207-09
	1	Plug single, complete FPM (Period 9512-9910)	9612-4207-13	9612-4207-14	9612-4207-15
	1	Plug single, complete PTFE (Period 9512-9910)	9612-4207-19	9612-4207-20	9612-4207-21
	1	Plug double, complete EPDM (Standard)	9612-4207-04	9612-4207-05	9612-4207-06
		(Period 9512-9910)			
	1	Plug double, complete NBR (Period 9512-9910)	9612-4207-10	9612-4207-11	9612-4207-12
	1	Plug double, complete FPM (Period 9512-9910)	9612-4207-16	9612-4207-17	9612-4207-18
	1	Plug double, complete PTFE (Period 9512-9910)	9612-4207-22	9612-4207-23	9612-4207-24
a	1	Stem (Period 9911-)	9612-5854-04	9612-5854-05	9612-5854-06
	1	Stem single (Period 9512-9910)	9612-4206-01	9612-4206-02	9612-4206-03
	1	Stem double (Period 9512-9910)	9612-4206-04	9612-4206-05	9612-4206-06
b ○	1	Seal ring upper, EPDM (Standard)	31353-0321-1	31353-0321-1	31353-0323-1
	1	Seal ring upper, NBR	31353-0321-2	31353-0321-2	31353-0323-2
	1	Seal ring upper, FPM	31353-0321-3	31353-0321-3	31353-0323-3
	1	Seal ring upper, PTFE	31353-1212-1	31353-1212-1	31353-1216-1
c	1	Middle piece (Period 9911-)	9612-4972-01	9612-4973-01	31353-0365-1
	1	Middle piece (Period 9512-9910)	31353-0363-1	31353-0364-1	31353-0365-1
d ○	1	Seal ring lower, EPDM (Standard)	31353-0320-1	31353-0321-1	31353-0322-1
	1	Seal ring lower, NBR	31353-0320-2	31353-0321-2	31353-0322-2
	1	Seal ring lower, FPM	31353-0320-3	31353-0321-3	31353-0322-3
	1	Seal ring lower, PTFE	31353-1211-1	31353-1212-1	31353-1213-1
e	1	Washer	31353-0357-1	31353-0358-1	31353-0359-1
f ○	1	O-ring, EPDM (Standard)	990034-01	990034-01	990034-01
	1	O-ring, NBR	223404-21	223404-21	223404-21
	1	O-ring, FPM	223404-35	223404-35	223404-35
	1	O-ring, PTFE	9612-4330-01	9612-4330-01	9612-4330-01
g	1	Screw (Period 9911-)	31353-0362-1	31353-0362-1	31353-0362-1
	1	Screw (Period 9512-9910)	31353-0514-1	31353-0362-1	31353-0362-1
○		Service kit EPDM	9611-92-0334	9611-92-0338	9611-92-0342
		Service kit NBR	9611-92-0335	9611-92-0339	9611-92-0343
		Service kit FPM	9611-92-0336	9611-92-0340	9611-92-0344
		Service kit PTFE	9611-92-0337	9611-92-0341	9611-92-0345

Parts marked with ○ are included in the service kit.

The information contained herein is correct at the time of issue but may be subject to change without prior notice.